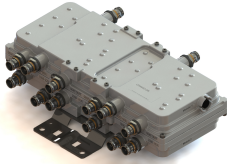


# E14F10P71



Quad Triplexer 1695-2200/2300-2400/2500-2690, band rejection in 2285-2295, dc bypass on all ports, with 4.3-10 connectors

- Ideal for small cell applications
- Compact form factor with reduced size and weight
- Suitable for space limited applications like Metro Cell, Lamp Pole, Concealment Solution and Macro Site
- New 4.3-10 connectors for improved PIM performance and size reduction
- Designed for network modernization application, introduction of LTE 4x4 MIMO
- Quad configuration, 4x4 MIMO ready
- dc/AISG pass-through on all frequency ports

## Product Classification

**Product Type** Triplexer

## General Specifications

**Modularity** 4-Quad

**Mounting** Pole | Wall

**Mounting Pipe Hardware** Band clamps (2)

**RF Connector Interface** 4.3-10 Female

## Dimensions

**Height** 94 mm | 3.701 in

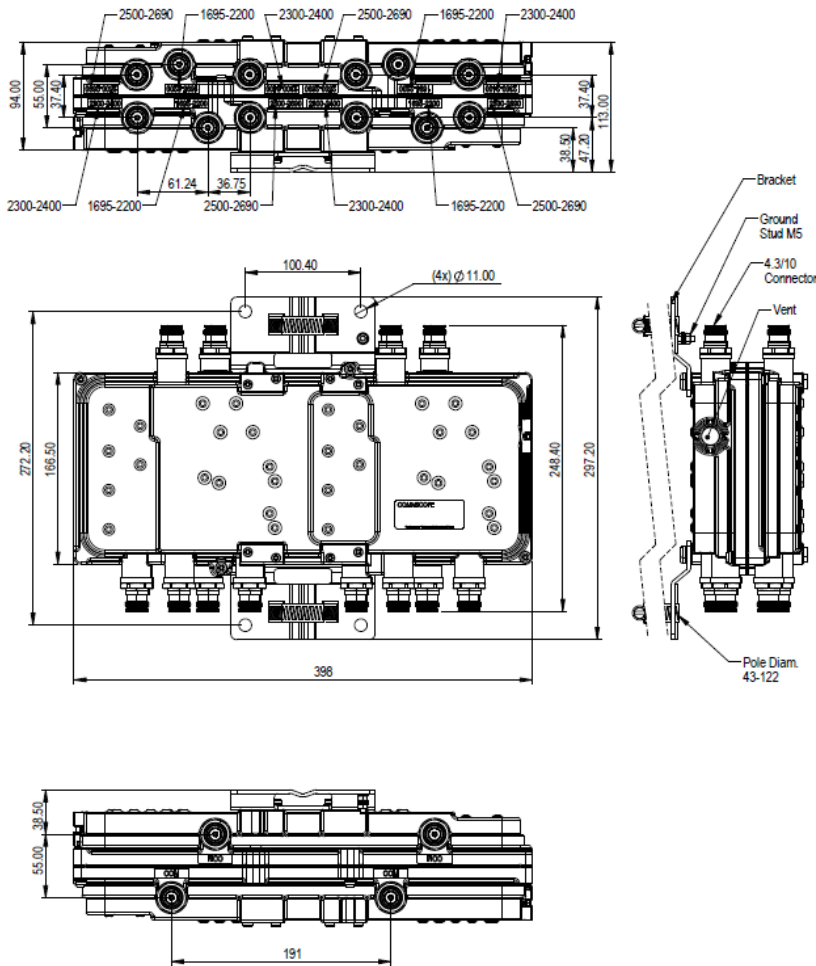
**Width** 398 mm | 15.669 in

**Depth** 167 mm | 6.575 in

**Mounting Pipe Diameter Range** 42.6–122 mm

## Outline Drawing

# E14F10P71



## Electrical Specifications

**Impedance** 50 ohm

## Electrical Specifications, dc Power/Alarm

**Lightning Surge Current** 10 kA

**Lightning Surge Current Waveform** 8/20 waveform

## Electrical Specifications

Sub-module	1   2	1   2	1   2
<b>Branch</b>	1	2	3
<b>Port Designation</b>	1695-2200	2300-2400	2500-2690

## Electrical Specifications, Band Pass

# E14F10P71

Frequency Range, MHz	1695–2200	2300–2302	2500–2690
Insertion Loss, typical, dB	0.15	0.6	0.6
Return Loss, typical, dB	20	20	20
Isolation, typical, dB	35	35	35
Input Power, RMS, maximum, W	120	120	120
Input Power, PEP, maximum, W	1200	1200	1200
3rd Order PIM, typical, dBc	-155	-155	-155
3rd Order PIM Test Method	Two +43 dBm carriers	Two +43 dBm carriers	Two +43 dBm carriers

## Electrical Specifications, Band Reject

Frequency Range, MHz	2290–2295
Attenuation, minimum, dB	35

## Electrical Specifications

Sub-module	1   2
Branch	2
Port Designation	2300-2400

## Electrical Specifications, Band Pass

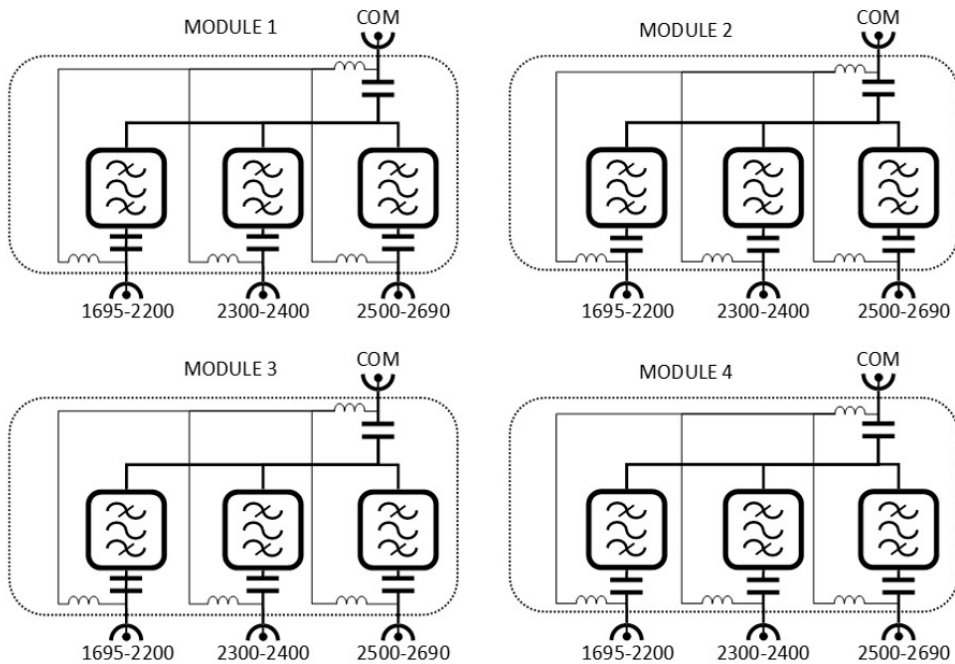
Frequency Range, MHz	2302–2400
Insertion Loss, typical, dB	0.2
Return Loss, typical, dB	20
Isolation, typical, dB	35
Input Power, RMS, maximum, W	120
Input Power, PEP, maximum, W	1200
3rd Order PIM, typical, dBc	-155
3rd Order PIM Test Method	Two +43 dBm carriers

## Electrical Specifications, Band Reject

Frequency Range, MHz	2290–2295
Attenuation, minimum, dB	35

## Block Diagram

# E14F10P71



## Environmental Specifications

<b>Operating Temperature</b>	-10 °C to +60 °C (+14 °F to +140 °F)
<b>Corrosion Test Method</b>	IEC 60068-2-11, 30 days
<b>Environmental Test Method</b>	ETSI EN 300 019-1-4
<b>Ingress Protection Test Method</b>	IEC 60529:2001, IP67

## Packaging and Weights

<b>Included</b>	Mounting hardware
<b>Volume</b>	6.2 L
<b>Weight, net</b>	9 kg   19.842 lb
<b>Weight, without mounting hardware</b>	8.45 kg   18.629 lb