

Installation Instructions

MT-FILTERS

Bulletin AE01B-A0602-005

Version 00 Status RE Rev A

Model Version 03 Status RE Rev A

Andrew Institute offers installation training.

Description

Filter Bowl Replacement Kit for MT050C and MT500D

Notice

The installation, maintenance or removal of dehydrator systems requires qualified, experienced personnel. Andrew installation instructions have been written for such personnel. Dehydrator systems should be inspected once a year by qualified personnel to verify proper installation, maintenance, and condition of equipment.

Andrew disclaims any liability or responsibility for the results of improper or unsafe installation practices.

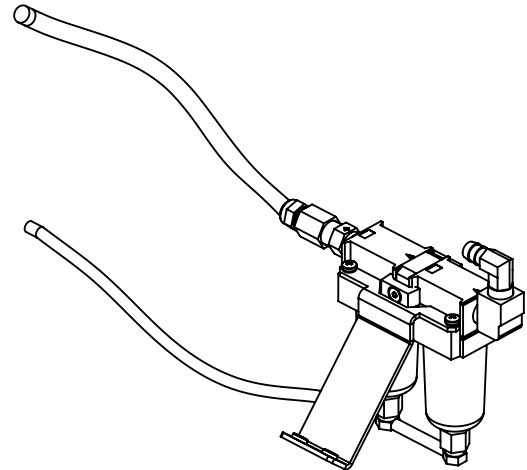


Table 1. Parts List

Item	Description	Qty
1	FILTER BOWL ASSEMBLY	1
2	HOSE CLAMP, 9/16"	1
3	INSTALLATION INSTRUCTION	1
4		
5		
6		



Main Hazards – Health Effects

Eyes: May cause irritation.

Inhalation: Viscous nature may block breathing passages if inhaled.

Ingestion: May cause diarrhoea.

Skin: For hypersensitive persons, may irritate the skin after long periods of contact.

Respiratory Protection: None needed.

Hand Protection: Protective gloves for hypersensitive persons.

Eye Protection: Glasses, if applied to parts in motion.

Body Protection: Overalls.

Tools Required

Phillips Screwdriver

Andrew Solutions

Customer Service 24 hours

U.S.A., Canada, Mexico: 1-800-255-1479

or 1-888-235-5732

U.K.: 0800 250055

Other Europe: +44 592 782 612

www.commscope.com/andrew

Visit our Web site at www.commscope.com/andrew or contact your local Andrew Solutions representative for more information. © 2008 CommScope, Inc. All rights reserved.

Andrew Solutions is a trademark of CommScope. All trademarks identified by ® or ™ are registered trademarks or trademarks, respectively, of CommScope. This document is for planning purposes only and is not intended to modify or supplement any specifications or warranties relating to Andrew Solutions products or services.

Notice: Andrew disclaims any liability or responsibility for the results of improper or unsafe installation, inspection, maintenance, or removal practices.

Aviso: Andrew no acepta ninguna obligación ni responsabilidad como resultado de prácticas incorrectas o peligrosas de instalación, inspección, mantenimiento o retiro.

Avis : Andrew decline toute responsabilité pour les conséquences de procédures d'installation, d'inspection, d'entretien ou de retrait incorrectes ou dangereuses.

Hinweis: Andrew lehnt jede Haftung Oder Verantwortung für Schaden ab, die aufgrund unsachgemäß Installation, Überprüfung, Wartung Oder Demontage auftreten.

Atencao: A Andrew abdica do direito de toda responsabilidade pelos resultados de praticas inadequadas e sem seguranca de instalacao, inspecao, manutengao ou remocao.

Avvertenza: Andrew declina eventual responsabilità dervanti dell'esecuzione di procedure di installazione, ispezione, manutenzione e smontaggio improprie o poco sicure.

注意：Andrew 公司申明對於不恰當或不安全的安裝、檢驗、維修或拆卸操作所導致的後果不負任何義務和責任

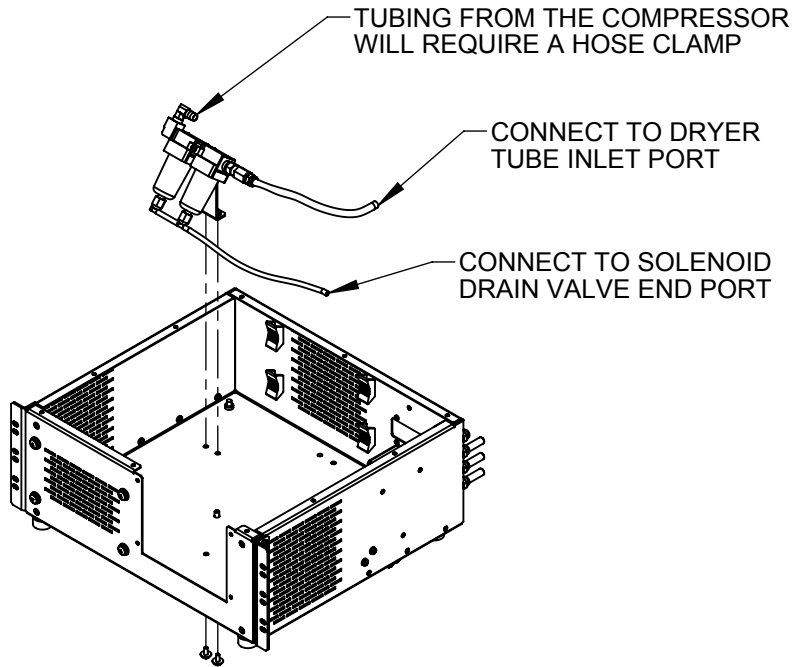


Installation Instructions

MT-FILTERS

page 2 of 2

Version 00 Status RE Rev A
Model Version 03 Status RE Rev A



1. Major components have been removed from the image above for clarity.
2. Remove the large hose clamp connecting the compressor output hose to the filter bowl inlet. Remove this hose from the filter bowl assembly.
3. Remove the solenoid drain hose from the end port of the solenoid valve.
4. Remove the filter bowl output hose from the inlet of the dryer tube.
5. Remove the two screws fastening the filter bowl assembly to the chassis.
6. Install the new filter bowl assembly and attach all hoses to their appropriate connections.
7. Ensure that a hose clamp is applied to the filter bowl inlet from the compressor.

