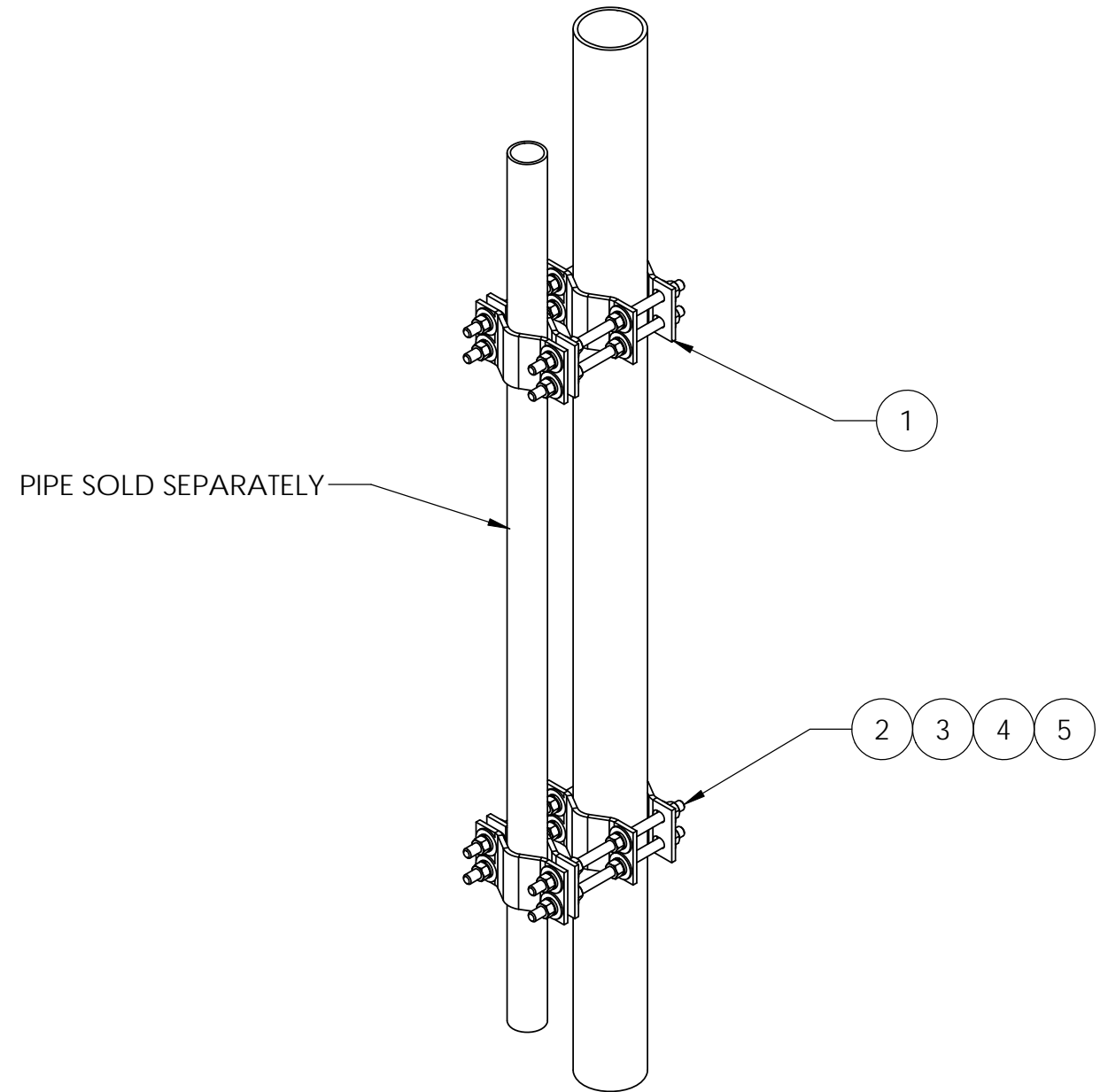
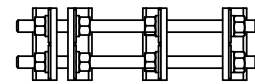
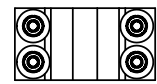
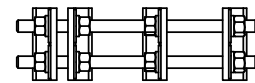
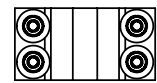
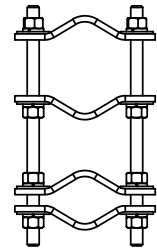


ITEM	PART NO.	DESCRIPTION	QTY.	WEIGHT
1	AC-P10D	Antenna Clamp Half, 1.5" - 3.5"	8	1.22 LBS
2	MT37910	1/2" X 10" GALV THREADED ROD	8	0.55 LBS
3	GWF-04	1/2" GALV FLAT WASHER	32	0.06 LBS
4	GWL-04	1/2" GALV LOCK WASHER	32	0.09 LBS
5	GN-04	1/2" GALV HEX NUT	32	0.04 LBS

REVISIONS				
REV.	ZONE	DESCRIPTION	BY	DATE
A		INITIAL RELEASE	MSM	06/15/12



- NOTES:
1. ALL METRIC DIMENSIONS ARE IN BRACKETS.
 2. FITS 1-1/2" OD TO 3-1/2" OD PIPE.

<p>These drawings and specifications are the proprietary property of CommScope Inc. and may be used only for the specific purpose authorized in writing by CommScope Inc.</p> <p>ALL DIMENSIONS ARE IN INCHES U.O.S. TOLERANCES UNLESS OTHERWISE SPECIFIED: .X = ± .12 ANGLES ±2° .XX = ± .06 FRACTIONS ±1/32 .XXX = ± .03</p> <p>REMOVE BURRS AND BREAK EDGES .005</p> <p>DO NOT SCALE THIS PRINT</p>	DRAWN BY: MSM	SHEET: 1 of 1	PART NUMBER: BC-20-10D
	CHECKED BY: TP	SCALE: NTS	DESCRIPTION: Pipe-To-Pipe Clamp, 1-1/2" - 3-1/2"
	DATE: 06/15/12	MATERIAL: A36	DRAWING TYPE: ASSEMBLY DRAWING
	REVISION: A	FINISH: GALV A123	COMMSCOPE® Hickory, NC 28602 U.S.A.
	WEIGHT: 17.02 LBS		