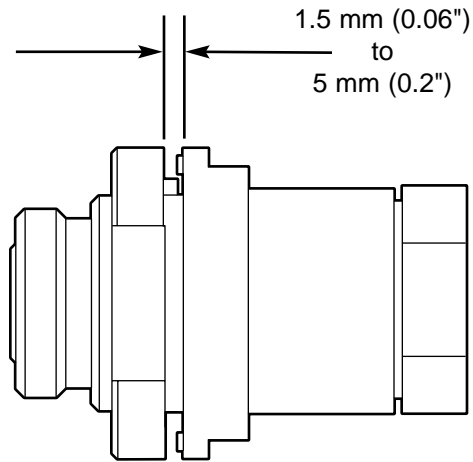


7-16 DIN Bulkhead Connector for LDF5-50A and LDF6-50 HELIAX® Coaxial Cable



**Panel Thickness
for LDF5 and LDF6**

Additional Tools Required for Fitting

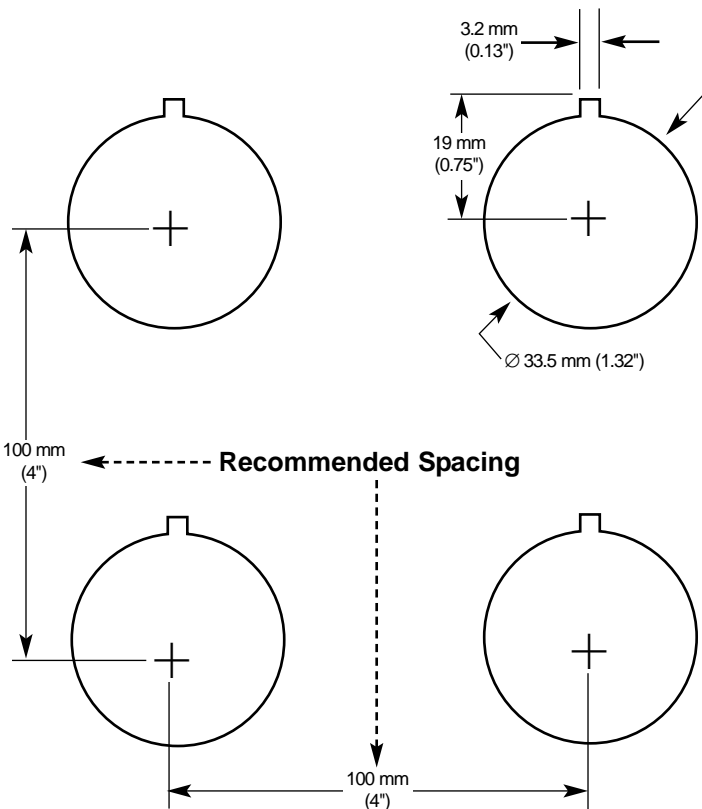


**41 mm (1-5/8")
LDF5**



**47 mm (1-7/8")
LDF6**

Panel Cutouts



Note:

Ensure cable is straight next to connector

