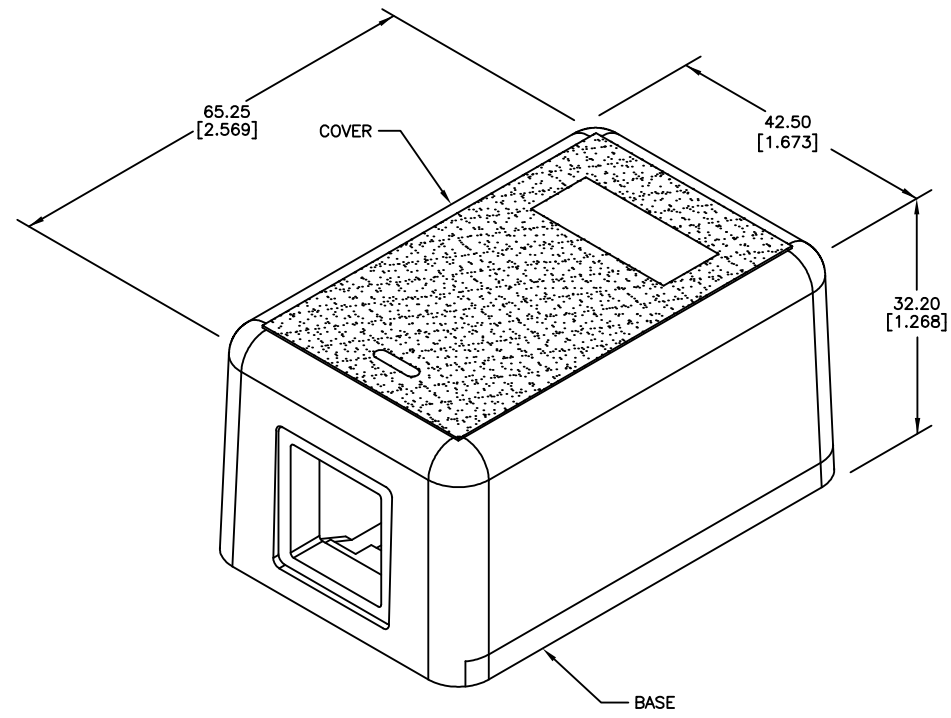
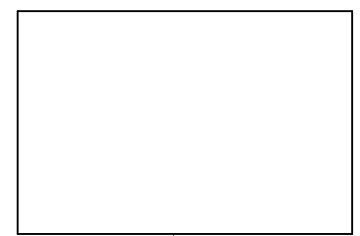


THIS DRAWING IS UNPUBLISHED. RELEASED FOR PUBLICATION
 © 2016 CommScope, INC. Confidential. THESE DRAWINGS AND SPECIFICATIONS ARE THE PROPERTY OF COMMSCOPE, INC. and may be used only for the specific purpose authorized in writing by COMMSCOPE, INC.

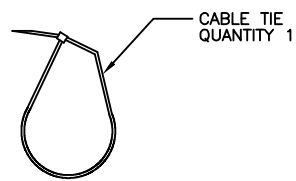
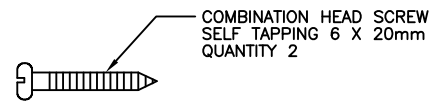
REVISIONS				
P	LR	DESCRIPTION	DATE	DRW / APPD
D		REV: 40052269CMO	08DEC2017	LS / CC



- ⚠ MATERIAL: BASE AND COVER - ABS MOLDING COMPOUND UL94V-0. SEE TABLE FOR COLOR.
 CABLE TIE - NYLON
 SCREWS - ZINC PLATED CARBON STEEL.
- PACKAGED 1 KIT PER POLYBAG.
 - ALL DIMENSIONS SHOWN ARE MAXIMUM.



DOUBLE SIDED FOAM TAPE
 QUANTITY 1



COLOR	PART NUMBER
ALPINE WHITE	1-1116697-3
ELECTRIC IVORY	1-1116697-1
NEWA GRAY	1116697-4
BLACK	1116697-2
LIGHT ALMOND	1116697-1

SUPERSEDED BY 1116697-1
 SUPERSEDED BY 1116697-1
 SUPERSEDED BY 1-1116697-3
 SUPERSEDED BY 1116697-1

THIS DRAWING IS A CONTROLLED DOCUMENT.

DRW: G. GARRETT 17AUG09	CHK: G. BOWMAN 17AUG09	APPD: G. BOWMAN 17AUG09	NAME: G. BOWMAN
COMMSCOPE, INC.			
KIT, SINGLE PORT MODULAR JACK BOX			
PRODUCT SPEC	APPLICATION SPEC	SIZE: A2	RESTRICTED TO
MATERIAL:	FINISH: -	WEIGHT: -	SCALE: 2:1
DIMENSIONS: mm [INCHES]		TOLERANCES UNLESS OTHERWISE SPECIFIED:	
0 PLC ± -		1 PLC ± -	
1 PLC ± -		2 PLC ± -	
2 PLC ± -		3 PLC ± -	
3 PLC ± -		4 PLC ± -	
4 PLC ± -		ANGLES: ± -	
MATERIAL:		FINISH: -	

CUSTOMER DRAWING SCALE 2:1 SHEET 1 of 1 REV D

1116697