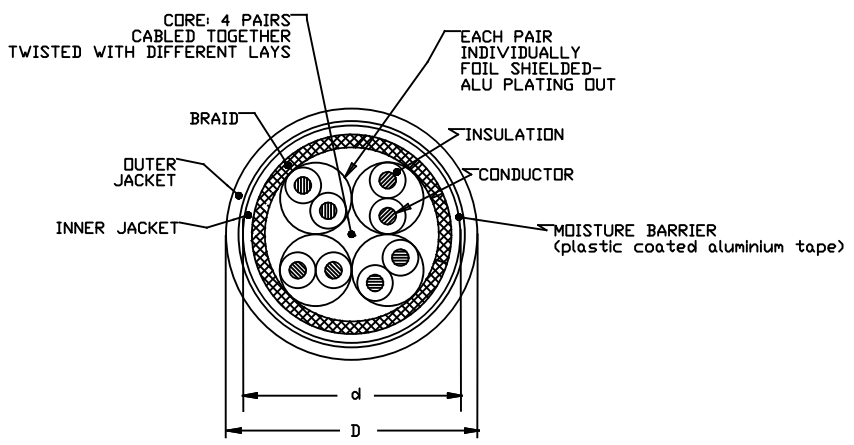


THIS DRAWING IS UNPUBLISHED. RELEASED FOR PUBLICATION
 © 2016 Commscope, INC. Confidential. NOTICE: These drawings and specifications are the proprietary property of COMMSCOPE, INC. and may be used only for the specific purpose authorized in writing by COMMSCOPE, INC.

REVISIONS				
#	LTR	DESCRIPTION	DATE	DRW APD
C		ECN:8000023593.	2JUN2017	R.L G.W

FINISHED CABLE DATA		
CONDUCTORS	WIRE AWG	23 AWG Solid
	OVERALL DIAMETER NOM.	0.546 < ϕ <= 0.610
	MATERIAL	COPPER
	PLATING	BARE
	ELONGATION	15% PER EN 50288-1
INSULATION	MATERIAL	POLYETHYLENE
	OVERALL DIAMETER	-
INDIVIDUAL PAIR SCREEN	MATERIAL	PLASTIC LAMINATED ALUMINUM FOIL
OVERALL SHIELD	BRAID MATERIAL	COPPER BRAID
	PLATING	TINNED
	COVERAGE	36.6% APPROX.
	ELONGATION	15% PER EN 50288-1
INNER JACKET	MATERIAL	LSZH
	DIAMETER (d)	7.2
MOISTURE BARRIER	MATERIAL	PLASTIC LAMINATED ALUMINUM FOIL
OUTER JACKET	MATERIAL	POLYETHYLENE
	OVERALL DIAMETER (D)	9.6
PULLING FORCE	MAX.	400

- REFER TO PRODUCT SPEC 108-93018 FOR ADDITIONAL REQUIREMENTS.
- CABLE PRINT LEGEND:
 COMMSCOPE ISD-EN COMPLIANT XXXXX PN 2153161-1 CAT7 S/FTP SOLID OUTDOOR BURIED PR04 AWG23 LSZH(d) PE(D) YYWW Z (SEQUENTIAL N*) METER



BLACK: outer jacket	500	REEL	4-2153161-1
WHITE: inner jacket			
BLACK: outer jacket	1000	REEL	2153161-1
WHITE: inner jacket			
COLOUR	LENGTH (METRES)	PACKAGE	PART NUMBER

THIS DRAWING IS A CONTROLLED DOCUMENT.				COMMSCOPE, INC.			
DIMENSIONS:		TO DIMENSIONS UNLESS OTHERWISE SPECIFIED:		DRN	123sept13		
mm				DR	123sept13		
		0 PLC ± 1 PLC ± 2 PLC ± 3 PLC ± 4 PLC ± ANGLES ± FINISH -		APD	123sept13		
MATERIAL	-A			NAME	J. Sanabra		
				PRODUCT SPEC	CABLE OUTDOOR BURIED,CAT7,PR04, S/FTP,PIMF600,LSZH,AWG23,SOLID		
				APPLICATION SPEC			
				SIZE	DATE CODE	DRAWING NO	RESTRICTED TO
				A2	00779	C=2153161	-
CUSTOMER DRAWING				SCALE	-	SHEET	1 of 1
				REV	C		

2153161