

THIS DRAWING IS UNPUBLISHED. RELEASED FOR PUBLICATION
 © 2016 COMMSCOPE, INC. CONFIDENTIAL NOTICE: THESE DRAWINGS AND SPECIFICATIONS ARE THE PROPRIETARY PROPERTY OF COMMSCOPE, INC. AND MAY BE USED ONLY FOR THE SPECIFIC PURPOSE AUTHORIZED IN WRITING BY COMMSCOPE, INC.

REVISIONS					
P	LTR	DESCRIPTION	DATE	DWN	APVD
A		DRAWING RELEASED	04 JUN2014	RM	JS
C		40023774MCO	31Jul2015	MO	LC
D		ECN 8000019575 REBRANDING	27JAN2017	RCR	SC

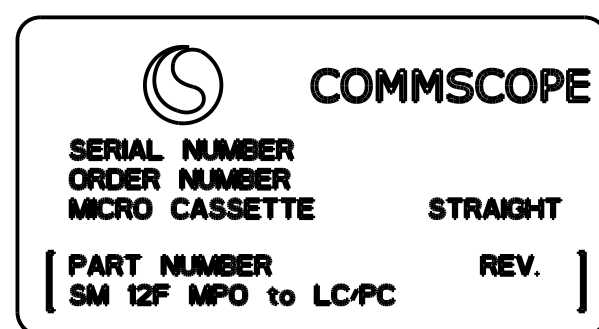
NOTES:

- OPTICAL PERFORMANCE FOR CASSETTES:
 - ATTENUATION MEASURED ACCORDING IEC 61300-3-4 METHOD C; WITH MODAL CONDITION ACCORDING TO: IS 14763-3, OFSTP-14, IEC 61280-4-1.
 - RETURN LOSS MEASURED ACCORDING IEC 61300-3-6 METHOD C; WITH MODAL CONDITION ACCORDING TO: IS 14763-3, OFSTP-14, IEC 61280-4-1.
- FOR OM4:
 - ATTENUATION AND RETURN LOSS FOR MPO LC COMBINATION (12 FIBERS).
 - ATTENUATION FOR ALL 12 FIBERS $\leq 0.35\text{dB}$ MEASURED AGAINST LAUNCH LEAD BETWEEN REFERENCE CONNECTORS AT 850nm.
 - RETURN LOSS $\geq 27\text{dB}$. MEASURED AGAINST LAUNCH LEAD BETWEEN REFERENCE CONNECTORS AT 850nm.
- FOR OM3:
 - ATTENUATION AND RETURN LOSS FOR MPO LC COMBINATION (12 FIBERS).
 - ATTENUATION FOR ALL 12 FIBERS $\leq 0.35\text{dB}$ MEASURED AGAINST LAUNCH LEAD BETWEEN REFERENCE CONNECTORS AT 850nm.
 - RETURN LOSS $\geq 27\text{dB}$. MEASURED AGAINST LAUNCH LEAD BETWEEN REFERENCE CONNECTORS AT 850nm.

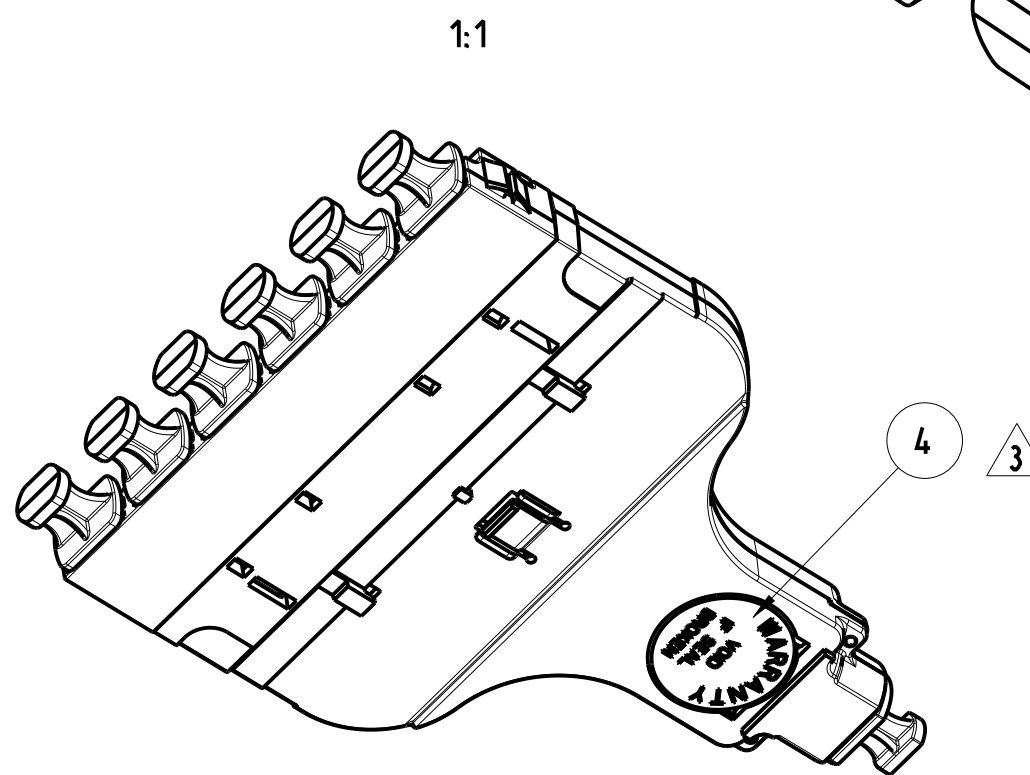
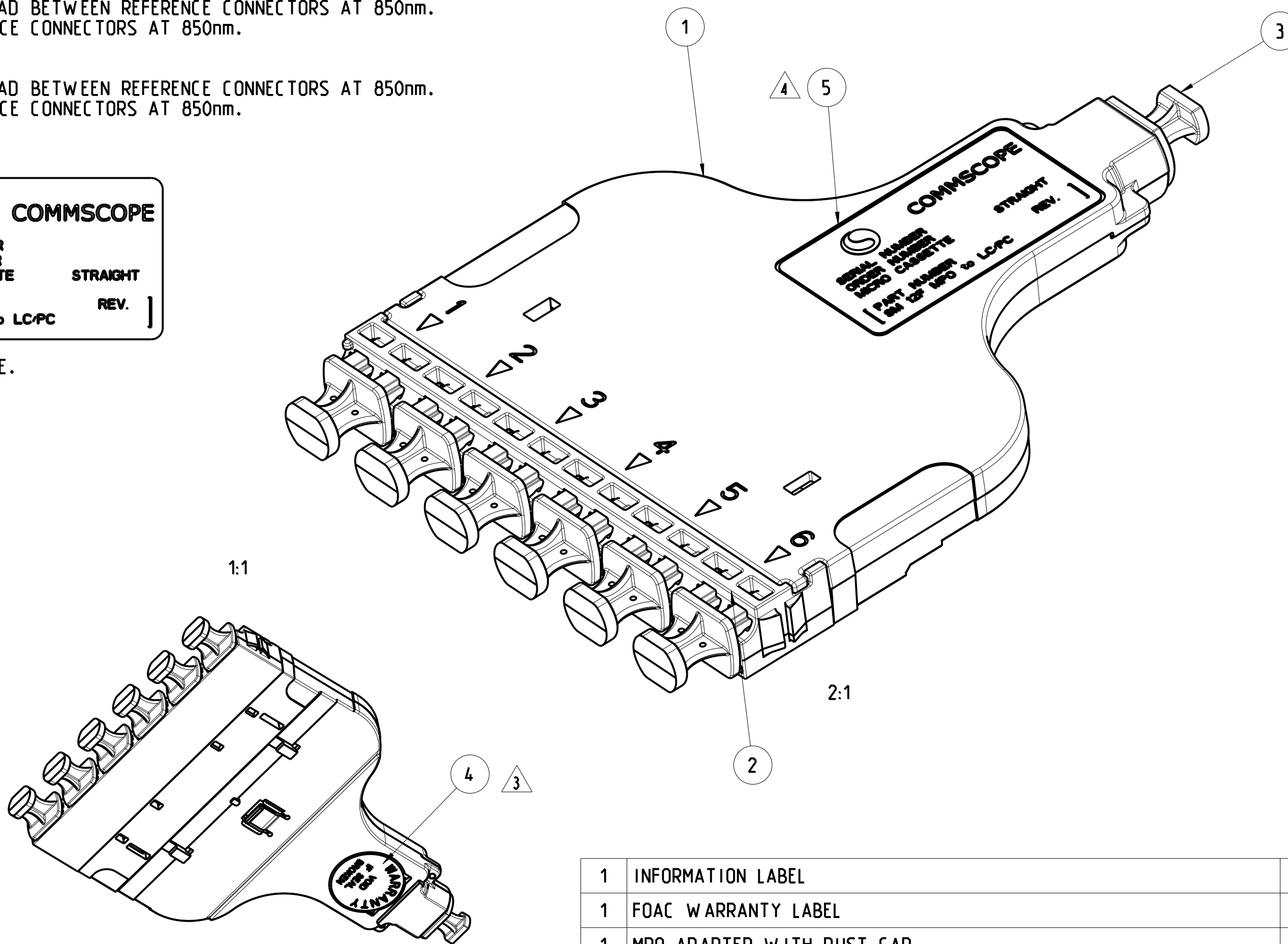
- 3 WARRANTY LABEL:
 - WARRANTY VOID IF SEAL IS BROKEN.

- 4 LABEL INFORMATION:
 - COMMSCOPE LOGO.
 - SERIAL NUMBER.
 - COMMSCOPE PART NUMBER.
 - ORDER NUMBER.
 - FIBER TYPE & CONNECTOR TYPE & WIRING TYPE

EXAMPLE:



5. MEASURING RESULT SHEET:
 - TEST RESULT SHEET SUPPLIED WITH EACH INDIVIDUALLY PACKED CASSETTE.



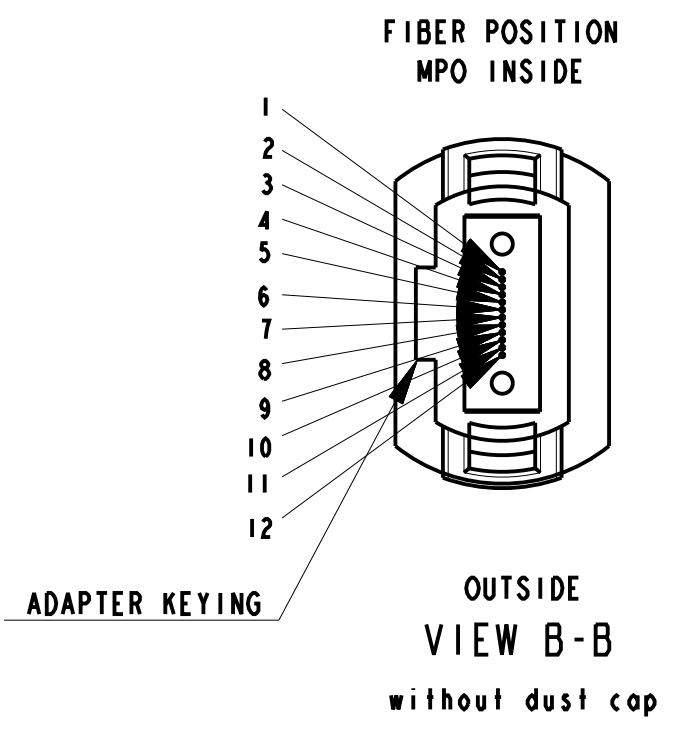
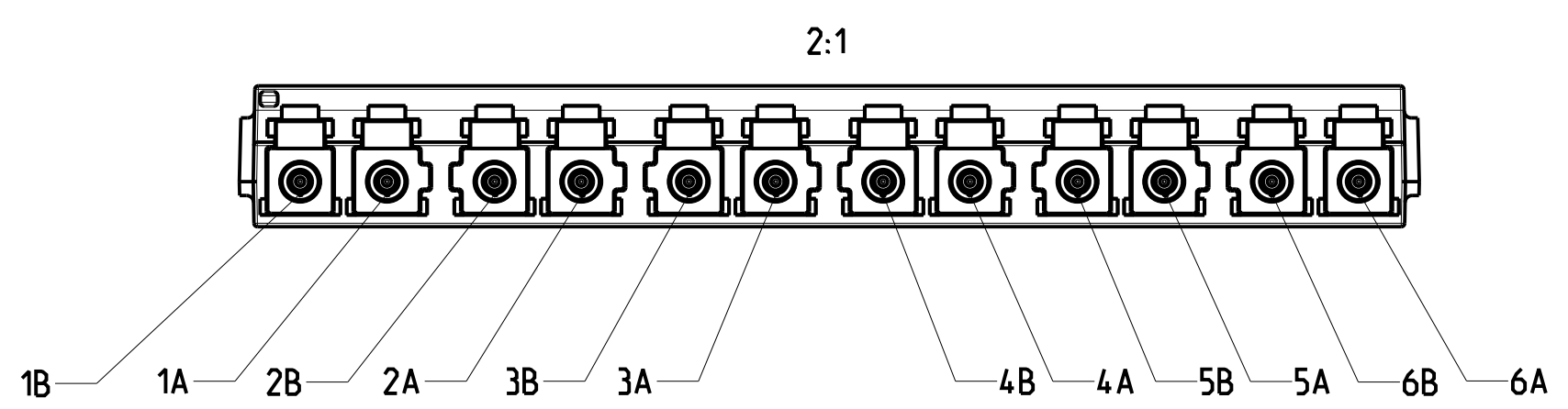
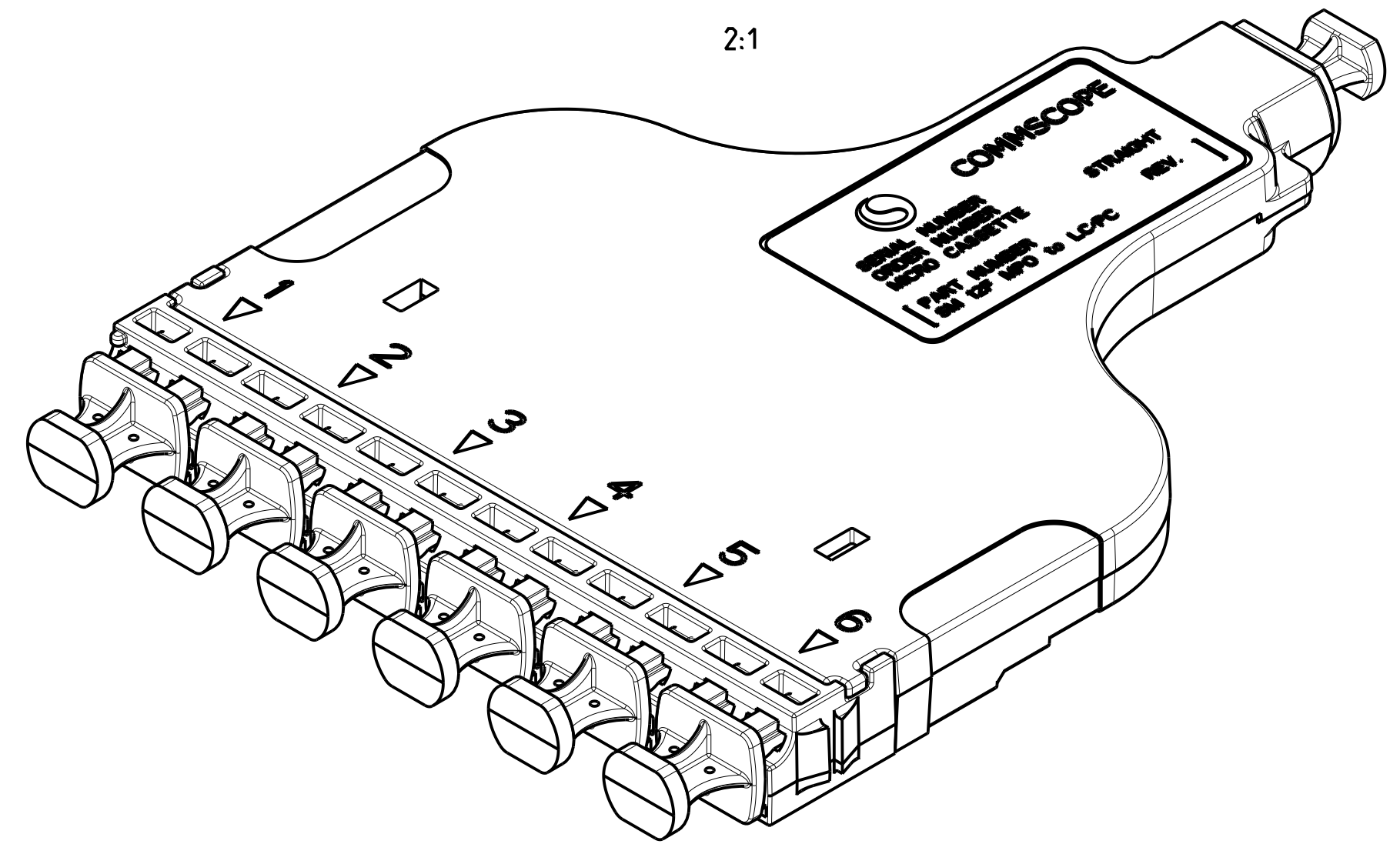
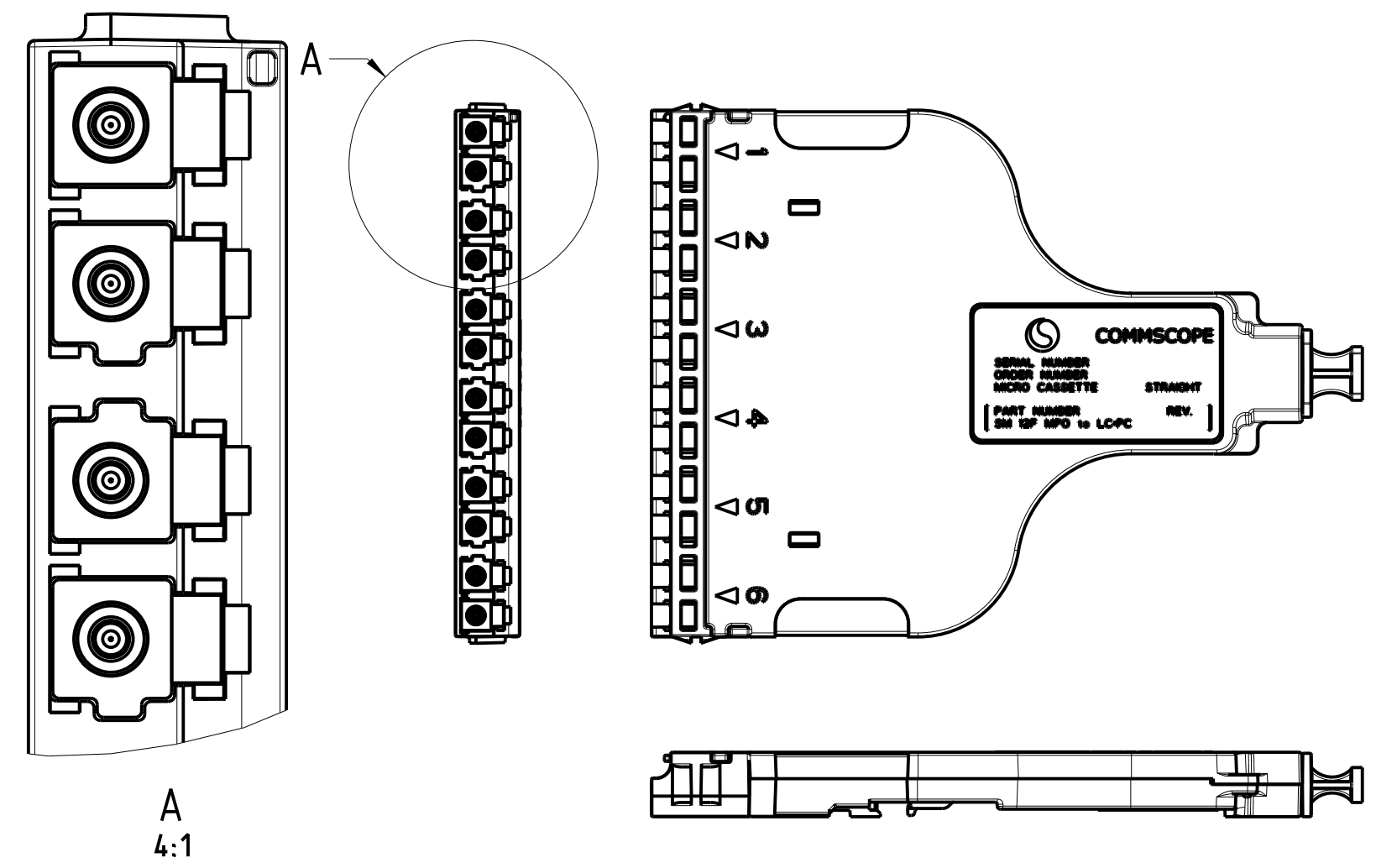
1	INFORMATION LABEL	5
1	FOAC WARRANTY LABEL	4
1	MPO ADAPTER WITH DUST CAP	3
1	INTERFACE HOUSING WITH 6 LC AQUA ADAPTERS WITH DUST CAPS	2
1	MICROCASSETTE MODULE	1
Qty	Description	Item

PART NUMBER	TYPE	PART NUMBER
STRAIGHT	TYPE	PAIR FLIPPED
2153211-3	MM50 OM3	1-2153211-3
2153211-5	MM50 OM4	1-2153211-5

DIMENSIONS:		TOLERANCES UNLESS OTHERWISE SPECIFIED:		APVD		NAME	
mm		0 PLC	±	DWN	R.MATEO	23MAY2014	COMMSCOPE, INC.
		1 PLC	±	CHK	M.OPPERS	23MAY2014	
		2 PLC	±	APVD	J.SANABRA	04 JUN2014	
		3 PLC	±	PRODUCT SPEC			
		4 PLC	±	APPLICATION SPEC			MPQOptimate FO MICROCASS 12 fiber
		ANGLES	±	SCALE			MPO - 12xLC/PC
		FINISH	±	RESTRICTED TO			
MATERIAL	-		-	SIZE	A2	CAGE CODE	-
	-		-	DRAWING NO	C-2153211	SCALE	1:1
	-		-	WEIGHT	-	SHEET	1 OF 2
	-		-	Customer Drawing		REV	D

THIS DRAWING IS UNPUBLISHED. RELEASED FOR PUBLICATION 2014
 © 2016 COMMSCOPE INC. CONFIDENTIALITY AND PROPRIETARY RIGHTS RESERVED. THESE DRAWINGS AND SPECIFICATIONS ARE THE PROPRIETARY PROPERTY OF COMMSCOPE, INC. AND SHALL BE USED ONLY FOR THE SPECIFIC PURPOSE AUTHORIZED IN WRITING BY COMMSCOPE, INC.

REVISIONS					
P	LTR	DESCRIPTION	DATE	DWN	APVD
-		SEE SHEET 1	-	-	-



FIBER ROUTING

CONNECTIVITY STRAIGHT		
LC/PC *		MPO
1B	←	1
1A	←	2
2B	←	3
2A	←	4
3B	←	5
3A	←	6
4B	←	7
4A	←	8
5B	←	9
5A	←	10
6B	←	11
6A	←	12

CONNECTIVITY PAIR FLIPPED		
LC/PC *		MPO
1B	←	1
1A	←	2
2B	←	3
2A	←	4
3B	←	5
3A	←	6
4B	←	7
4A	←	8
5B	←	9
5A	←	10
6B	←	11
6A	←	12

(*) = LC port outside

THIS DRAWING IS A CONTROLLED DOCUMENT.		DWN R.MATEO 23MAY2014	COMMSCOPE, INC.	
		CHK M.OPPERS 23MAY2014		
DIMENSIONS: mm		APVD J.SANABRA 04 JUN2014	NAME MPOOptimate FO MICROCASS 12 fiber	
TOLERANCES UNLESS OTHERWISE SPECIFIED:		PRODUCT SPEC 108-19465	MPO - 12xLC/PC	
0 PLC ±		APPLICATION SPEC -	SIZE A2	
1 PLC ±		WEIGHT -	CAGE CODE -	
2 PLC ±		Customer Drawing	DRAWING NO C-2153211	
3 PLC ±			RESTRICTED TO -	
4 PLC ±			SCALE 1:1 SHEET 2 OF 2 REV D	
ANGLES ±				
FINISH -				