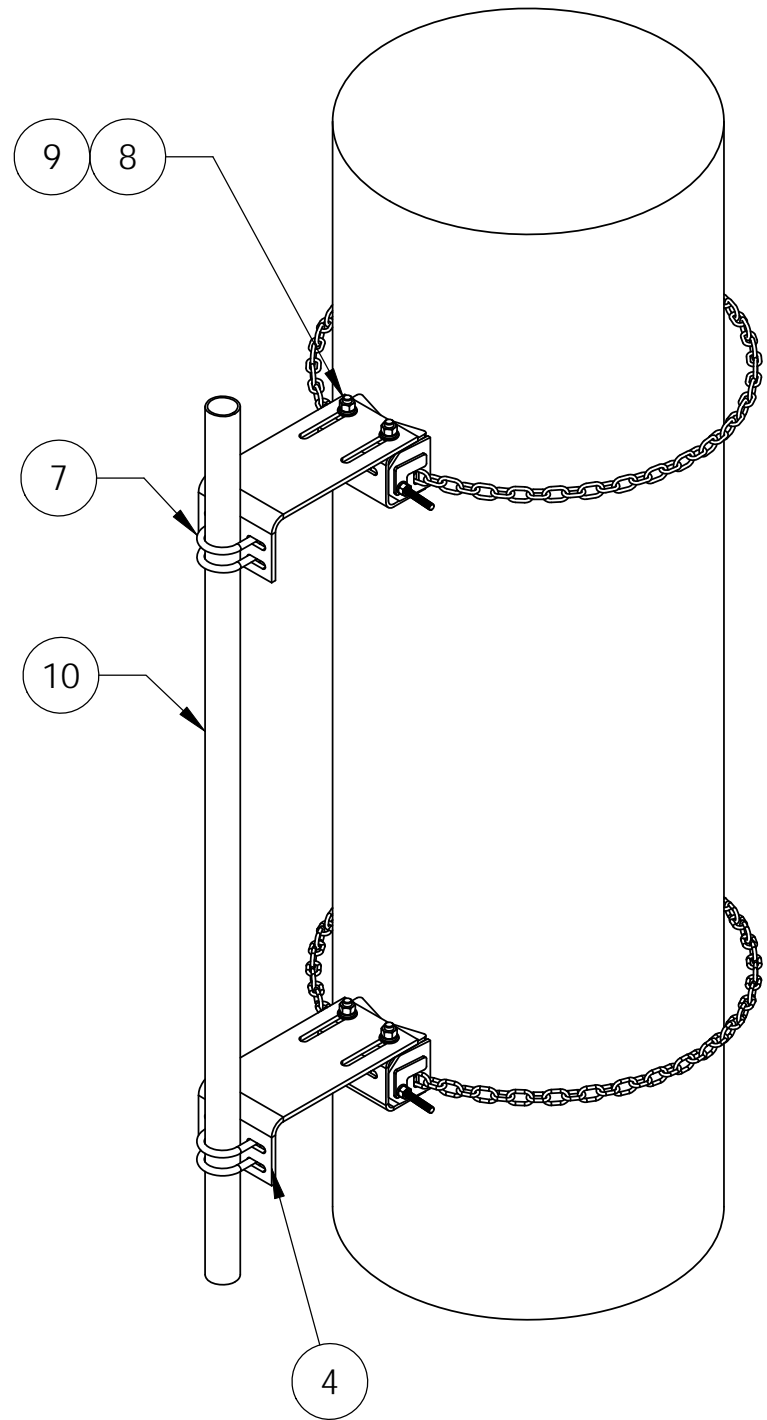
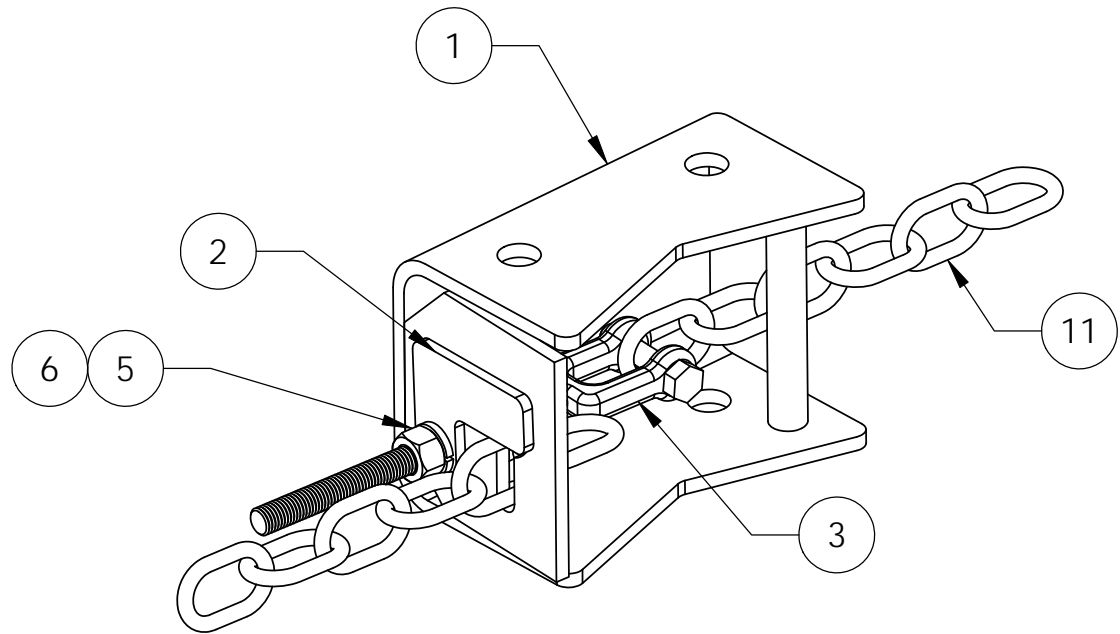


ITEM	PART NO.	DESCRIPTION	QTY.	WEIGHT
1	CM.01	CHAINMOUNT ANCHOR	2	5.85 LBS
2	CM.03	CHAIN LOCK	2	0.20 LBS
3	CM.04	1/2" X 6" Under Jaw Turnbuckle	2	0.68 LBS
4	PMSL05	14" L-Bracket	2	13.44 LBS
5	GWL-04	1/2" GALV LOCK WASHER	2	0.01 LBS
6	GN-04	1/2" GALV HEX NUT	2	0.02 LBS
7	GUB-4240	1/2" X 2-1/2" X 4" GALV U-BOLT	4	0.72 LBS
8	GB-0516A	5/8" X 1-3/4" GALV BOLT KIT (A325)	4	0.24 LBS
9	GWF-05	5/8" GALV FLAT WASHER	4	0.02 LBS
10	MT-XXX	2.375" OD PIPE (SEE TABLE)	1	-
11	SEE TABLE	G-43 CHAIN (SEE TABLE)	2	-
12	TW5001	15" TIE-WRAP	6	-

REVISIONS				
REV.	ZONE	DESCRIPTION	BY	DATE
A		INITIAL RELEASE	MSM	02/12/10
B		ADD 2EA GUB-4240, 6EA TW5001	MSM	08/26/10


NOT SHOWN

PART NUMBER	WEIGHT	PIPE	QTY	CHAIN	CHAIN LENGTH
CML-30S-B	67.43 LBS	NONE	0	G4-0-96	8ft
CML-30S-72	89.23 LBS	MT-651	1	G4-0-96	8ft
CML-30S-96	96.76 LBS	MT-651-96	1	G4-0-96	8ft
CML-60S-B	79.43 LBS	NONE	0	G4-0-192	16ft
CML-60S-72	101.23 LBS	MT-651	1	G4-0-192	16ft
CML-60S-96	108.76 LBS	MT-651-96	1	G4-0-192	16ft



NOTES:

- ATTACH THE PIPES OR PIPE MOUNTS TO THE BRACKETS PRIOR TO ADDING THE JAW-BOLT/CHAIN ASSEMBLY.
- TIE-WRAPS USED TO TIE BACK EXCESS CHAIN.

<small>These drawings and specifications are the proprietary property of ANDREW CORPORATION and may be used only for the specific purpose authorized in writing by Andrew Corporation.</small> ALL DIMENSIONS ARE IN INCHES U.O.S. TOLERANCES UNLESS OTHERWISE SPECIFIED: .X = .12 ANGLES 2' .XX = .06 FRACTIONS 1/32 .XXX = .003 REMOVE BURRS AND BREAK EDGES .005 DO NOT SCALE THIS PRINT	DRAWN BY: MSM CHECKED BY: TP DATE: 02/12/10 REVISION: B	SHEET: 1 of 1 SCALE: NTS MATERIAL: A36, A53 FINISH: GALV A123 WEIGHT: SEE TABLE	PART NUMBER: CML-S SERIES DESCRIPTION: Single Chain Mount DRAWING TYPE: ASSEMBLY DRAWING  ORLAND PARK, IL. 60462 U.S.A.
--	--	---	---