

REV.	MCO	DWN	DATE
AN	40013162MCO	LLBV	26-MAR-14
AP	8000019791	OAVL	03-FEB-17

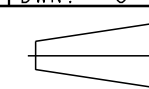
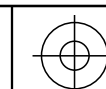
BLK-RLBT-A03040	4 EACH	4 EACH	4 EACH	8 EACH	8 EACH	12 PACKETS	N/A
BLK-RLBT-A06040	4 EACH	4 EACH	4 EACH	8 EACH	8 EACH	12 PACKETS	N/A
BLK-TUBE-A02	1 EACH	1 EACH	1 EACH	3 EACH	2 EACH	2 PACKETS	1 EACH
BLK-RCT-A04E0	1 EACH	1 EACH	1 EACH	2 EACH	2 EACH	4 PACKETS	N/A
BLK-RCT-A02D0	1 EACH	1 EACH	1 EACH	2 EACH	2 EACH	2 PACKETS	N/A
BLK-RCT-A01D0	1 EACH	1 EACH	1 EACH	2 EACH	2 EACH	1 PACKETS	N/A
BLK-RCT-A03CC	1 EACH	1 EACH	1 EACH	1 EACH	5 EACH	3 PACKETS	1 EACH
BLK-RCT-B03CC	1 EACH	1 EACH	1 EACH	1 EACH	5 EACH	3 PACKETS	1 EACH
BLK-RCT-A02CC	1 EACH	1 EACH	1 EACH	2 EACH	2 EACH	2 PACKETS	1 EACH
BLK-RCT-A01B0	1 EACH	1 EACH	1 EACH	2 EACH	2 EACH	1 PACKET	N/A
BLK-RLBT-A01060	6 EACH	6 EACH	6 EACH	12 EACH	12 EACH	6 PACKET	N/A
BLK-RLBT-A06010	1 EACH	1 EACH	1 EACH	2 EACH	2 EACH	6 PACKET	N/A
BLK-RCT-A02C0	1 EACH	1 EACH	1 EACH	2 EACH	2 EACH	2 PACKETS	N/A
BLK-RCT-A03B0	1 EACH	1 EACH	1 EACH	2 EACH	2 EACH	3 PACKETS	N/A
BLK-RCT-A04C0	1 EACH	1 EACH	1 EACH	2 EACH	2 EACH	4 PACKETS	N/A
BLK-RLBT-A01010	1 EACH	1 EACH	1 EACH	2 EACH	2 EACH	1 PACKET	N/A
BLK-RCT-A02B0	1 EACH	1 EACH	1 EACH	2 EACH	2 EACH	2 PACKETS	N/A
BLK-RCT-A02BC	1 EACH	1 EACH	1 EACH	2 EACH	2 EACH	2 PACKETS	1 EACH
BLK-RCT-A04B0	1 EACH	1 EACH	1 EACH	2 EACH	2 EACH	4 PACKETS	N/A
BLK-RLBT-A6060	6 EACH	6 EACH	6 EACH	12 EACH	12 EACH	36 PACKETS	N/A
BLK-RLBT-A605C	5 EACH	5 EACH	5 EACH	10 EACH	10 EACH	30 PACKETS	1 EACH
BLK-RCT-A06BC	1 EACH	1 EACH	1 EACH	2 EACH	2 EACH	6 PACKETS	1 EACH
BLK-RLBT-A4060	6 EACH	6 EACH	6 EACH	12 EACH	12 EACH	24 PACKETS	N/A
BLK-RLBT-A4050	5 EACH	5 EACH	5 EACH	10 EACH	10 EACH	20 PACKETS	N/A
BLK-RLBT-A4040	4 EACH	4 EACH	4 EACH	8 EACH	8 EACH	16 PACKETS	N/A
BLK-RLBT-A306C	6 EACH	6 EACH	6 EACH	12 EACH	12 EACH	18 PACKETS	1 EACH
BLK-RLBT-A0306	6 EACH	6 EACH	6 EACH	12 EACH	12 EACH	18 PACKETS	N/A
BLK-RLBT-A206C	6 EACH	6 EACH	6 EACH	12 EACH	12 EACH	12 PACKETS	1 EACH
BLK-RLBT-A2060	6 EACH	6 EACH	6 EACH	12 EACH	12 EACH	12 PACKETS	N/A
BLK-RLBT-A205C	5 EACH	5 EACH	5 EACH	10 EACH	10 EACH	10 PACKETS	1 EACH
BLK-RLBT-A2050	5 EACH	5 EACH	5 EACH	10 EACH	10 EACH	10 PACKETS	N/A
BLK-RLBT-A2040	4 EACH	4 EACH	4 EACH	8 EACH	8 EACH	8 PACKETS	N/A
BLK-RLBT-A2030	3 EACH	3 EACH	3 EACH	6 EACH	6 EACH	6 PACKETS	N/A
BLK-RCT-A03C0	1 EACH	1 EACH	1 EACH	2 EACH	2 EACH	3 PACKETS	N/A
CATALOG NUMBER	BASE	COVER	FACE PLATE WITH TUBES	4-24 SCREW	CABLE TIES	ALCOHOL WIPES	SCORING TOOL

INSTALLATION INSTRUCTIONS:
(SEE SHEET 2 OF 2 FOR ASSEMBLY DETAILS)

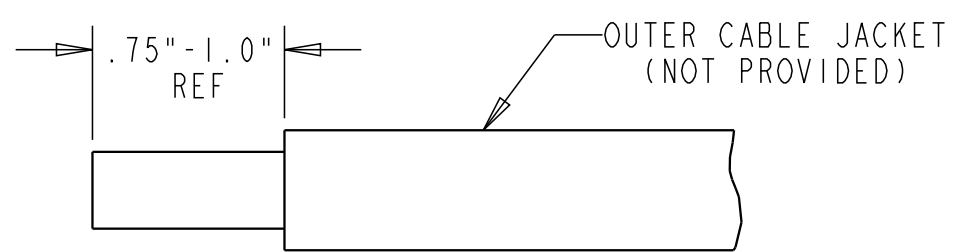
1. STRIP OUTER CABLE JACKET TO EXPOSE INNER CENTRAL TUBE .75" - 1.0" SEE DETAIL "A".
2. *IMPORTANT* CLEAN RESIDUE FROM OUTSIDE OF CENTRAL TUBE, THIS WILL PREVENT SLIPPAGE WHEN BASE IS ATTACHED (DO NOT USE ALCOHOL PACKETS PROVIDED). PLACE BLACK STRIP TAPE PROVIDED AROUND ENTIRE CENTRAL TUBE AS SHOWN IN DETAIL "B". LOCATE SO THAT CABLE TIES WILL COVER TAPE SURFACE WHEN ATTACHED TO BASE.
3. CUT OVAL PROTECTIVE TUBES TO THE APPROPRIATE LENGTH.
4. NOTE RIBBON UNITS MUST BE FREE OF MOISTURE BLOCKING GEL. THOROUGHLY CLEAN EACH RIBBON FIBER (DO NOT USE ALCOHOL PACKETS PROVIDED) INSERT UP TO (6) 12-FIBER RIBBONS INTO EACH PROTECTIVE TUBE. SEE DETAIL "B". USE ALCOHOL WIPE (1) PER PROTECTIVE TUBE TO LUBRICATE THE TOP AND BOTTOM RIBBON FIBERS WHEN INSERTING INTO PROTECTIVE TUBE. NOTE TOP AND BOTTOM RIBBON FIBERS SHOULD BE MOIST WITH ALCOHOL WHEN INSERTING INTO PROTECTIVE TUBES.
5. AFTER INSERTING ALL RIBBON FIBERS INTO PROTECTIVE TUBES PLACE FACE PLATE IN BASE POCKET AS SHOWN IN DETAIL "C". ALSO CAREFULLY PLACE CENTRAL TUBE INTO BASE AS SHOWN IN DETAIL "D" DO NOT TWIST FIBERS.
6. ATTACH CENTRAL TUBE TO BASE USING CABLE TIE (2) PROVIDED. INSERT CABLE TIE FROM BOTTOM INTO EACH HOLE AROUND CENTRAL TUBE AND INTO ADJACENT HOLE. CABLE TIE HEAD TO SEAT IN BASE POCKET (BOTTOM) SEE DETAIL "D".
7. ATTACH COVER WITH (2) 4-24 SCREWS PROVIDED SEE DETAIL "E".

COMMSCOPE, INC.

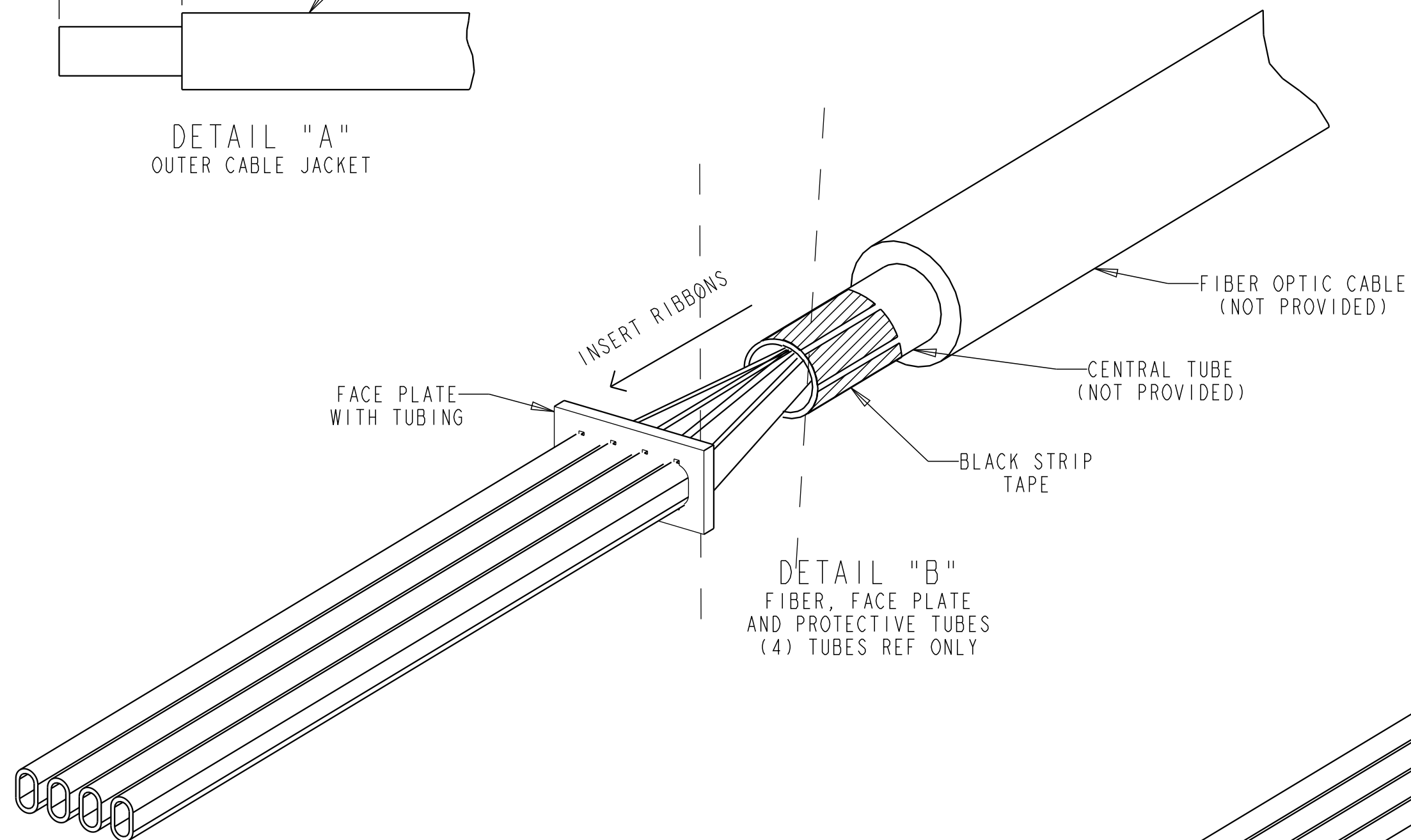
© 2016 COMMSCOPE, INC. CONFIDENTIAL NOTICE: THESE DRAWINGS AND SPECIFICATIONS ARE THE PROPRIETARY PROPERTY OF COMMSCOPE, INC. AND MAY BE USED ONLY FOR THE SPECIFIC PURPOSE AUTHORIZED IN WRITING BY COMMSCOPE, INC.		TITLE OSP RIBBON BLOCKING INSTALLATION DWG	
ALL DIMS AND TOLERANCES ARE INCHES UNLESS OTHERWISE SPECIFIED	.XX:±N/A .XXX:±N/A ANGULAR:±N/A	C SIZE	DRAWING NUMBER 1140485_ADC
DO NOT SCALE DRAWING		ENGR: S KOWALCZYK DWN: S KOWALCZYK	AP REV
		SHT. 1 OF 2	



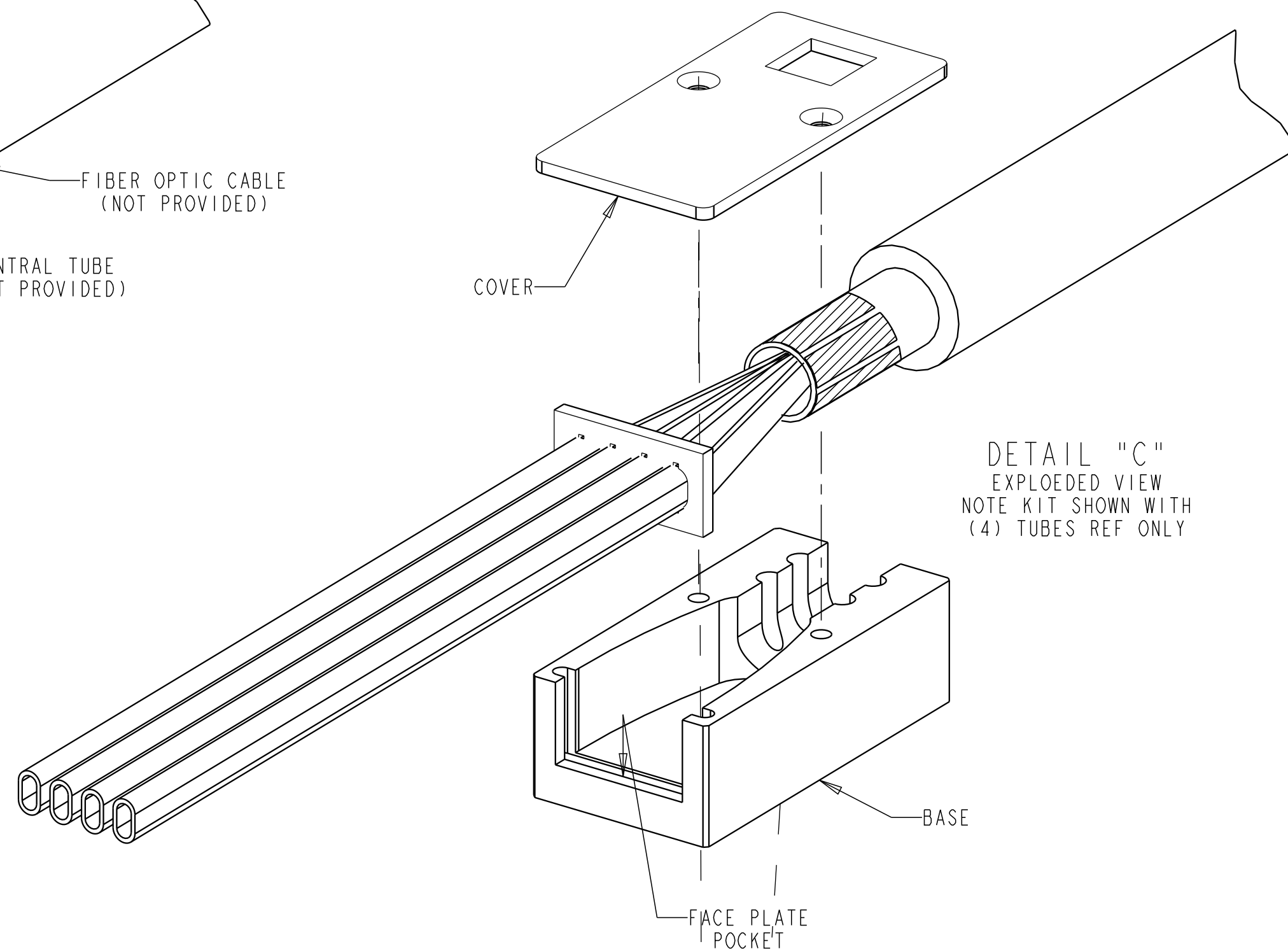
DIMENSIONS IN INCHES
THIRD ANGLE PROJECTION



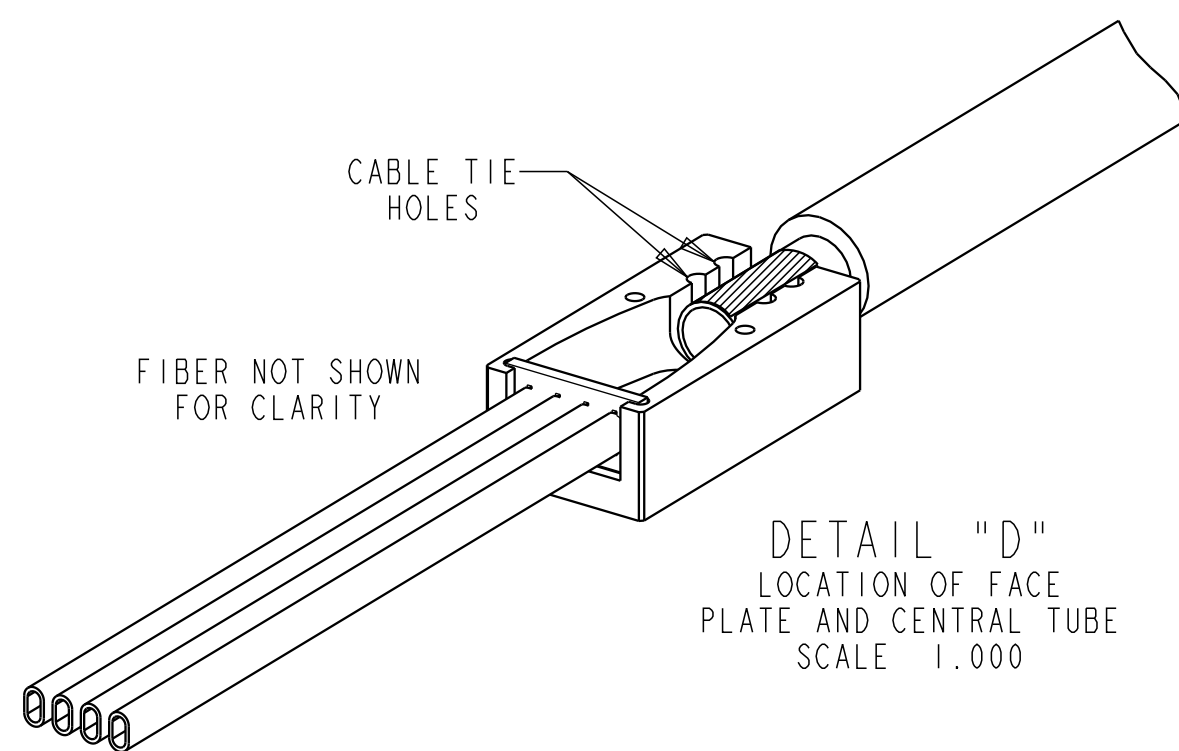
DETAIL "A"
OUTER CABLE JACKET



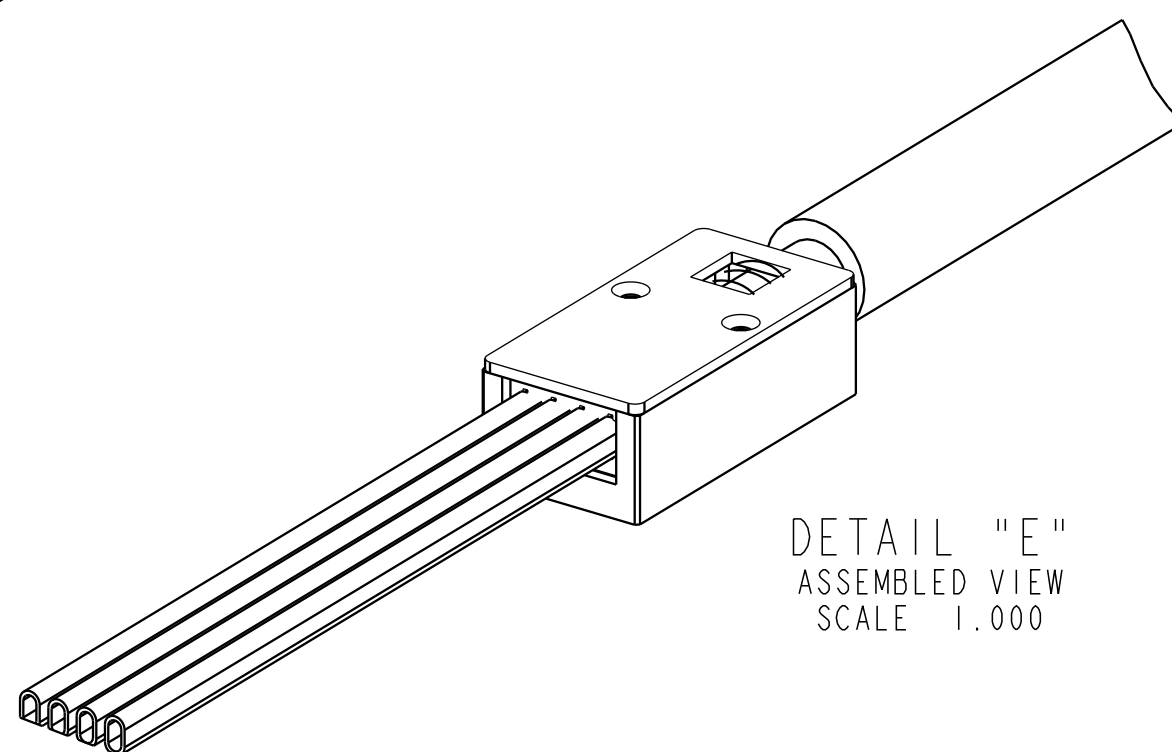
DETAIL "B"
FIBER, FACE PLATE
AND PROTECTIVE TUBES
(4) TUBES REF ONLY



DETAIL "C"
EXPLODED VIEW
NOTE KIT SHOWN WITH
(4) TUBES REF ONLY



DETAIL "D"
LOCATION OF FACE
PLATE AND CENTRAL TUBE
SCALE 1.000



DETAIL "E"
ASSEMBLED VIEW
SCALE 1.000

COMMSCOPE, INC.

<small>© 2016 COMMSCOPE, INC. CONFIDENTIAL NOTICE: THESE DRAWINGS AND SPECIFICATIONS ARE THE PROPRIETARY PROPERTY OF COMMSCOPE, INC. AND MAY BE USED ONLY FOR THE SPECIFIC PURPOSE AUTHORIZED IN WRITING BY COMMSCOPE, INC.</small>		TITLE OSP RIBBON BLOCKING INSTALLATION DWG	
<small>ALL DIMS AND TOLERANCES ARE INCHES UNLESS OTHERWISE SPECIFIED</small>	<small>.XX:±N/A .XXX:±N/A ANGULAR:±N/A</small>	C SIZE	DRAWING NUMBER 1140485_ADC
DO NOT SCALE DRAWING		ENGR: S KOWALCZYK DWN: S KOWALCZYK	AP REV SHT. 2 OF 2

DIMENSIONS IN INCHES
THIRD ANGLE PROJECTION