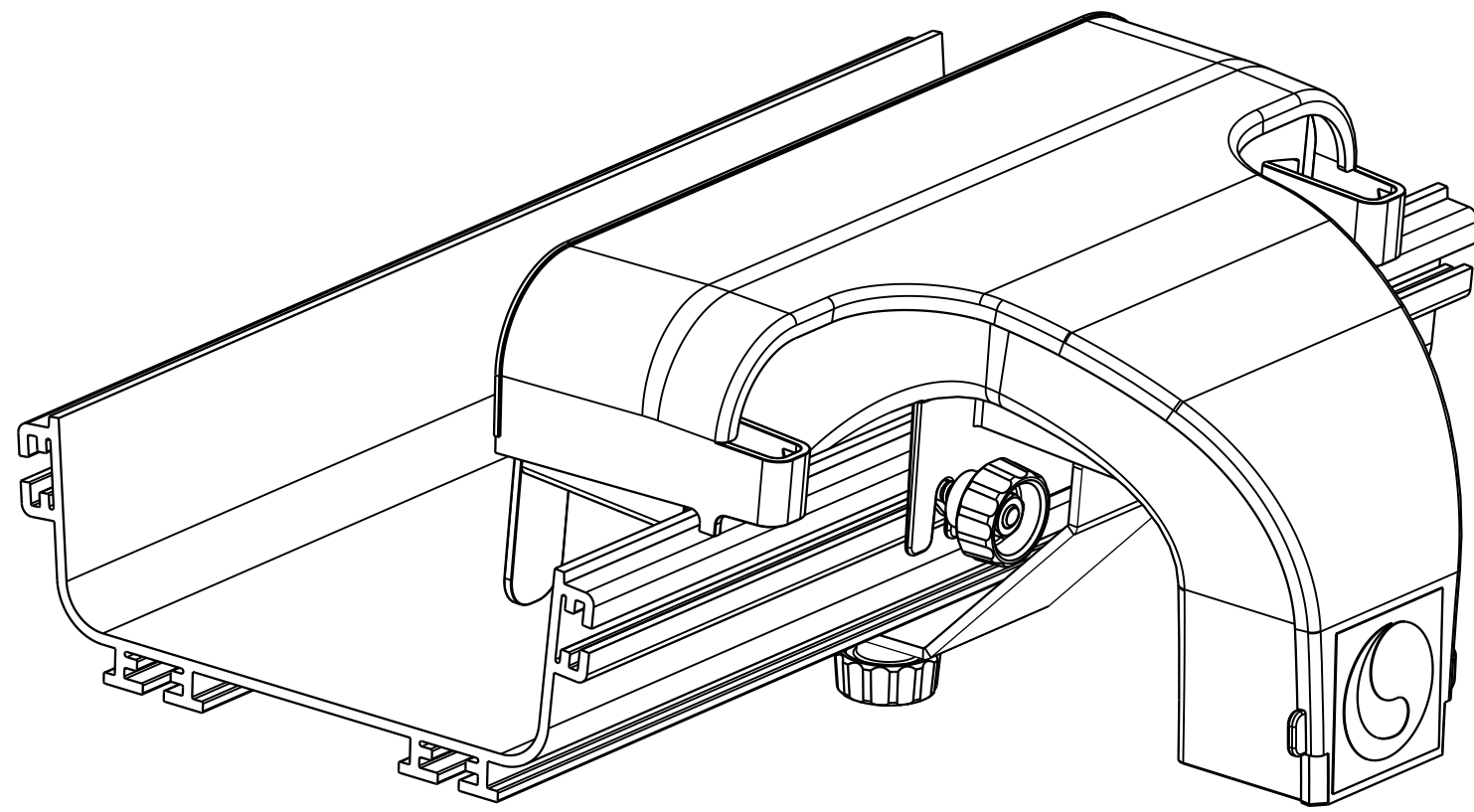
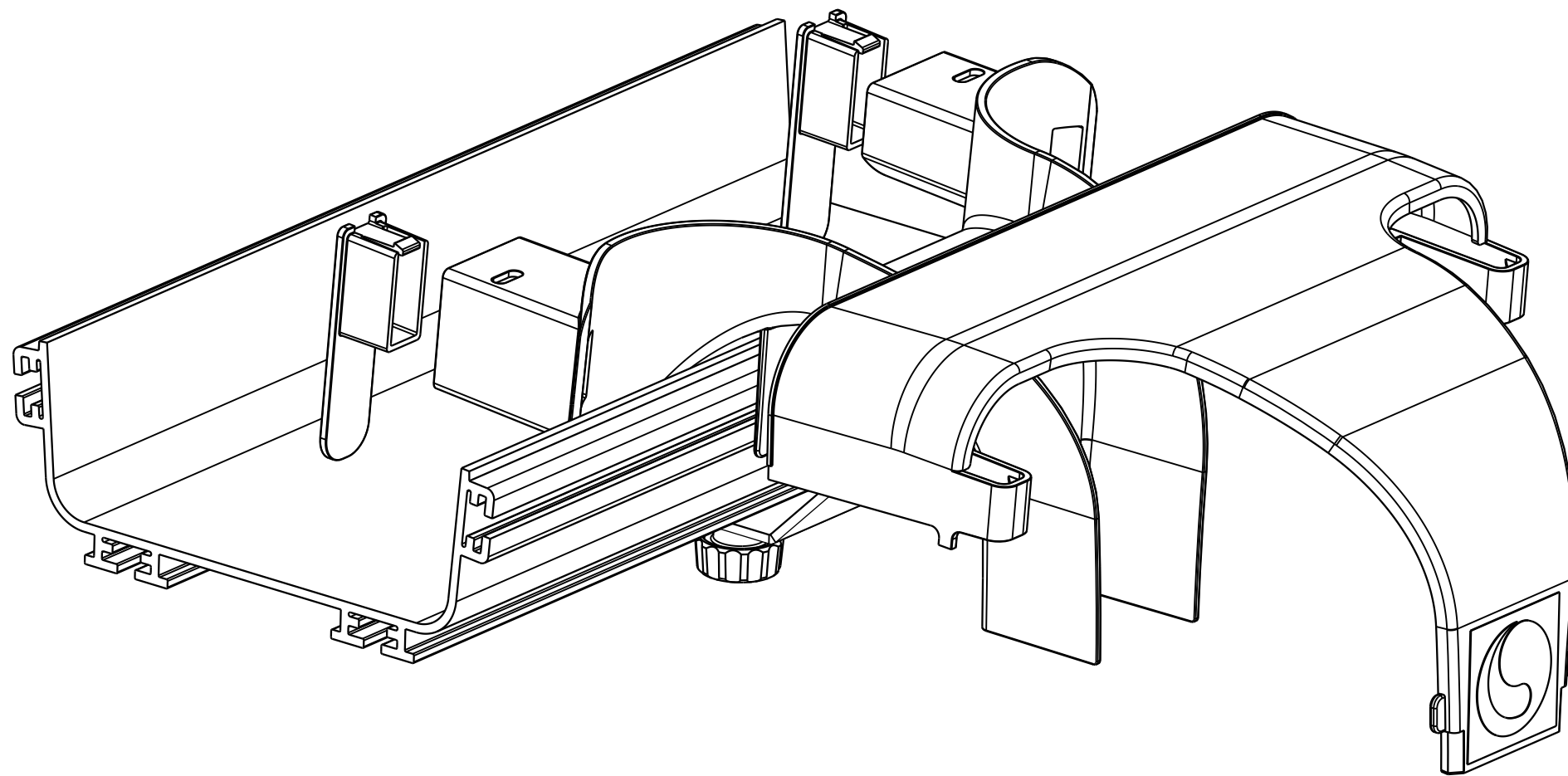


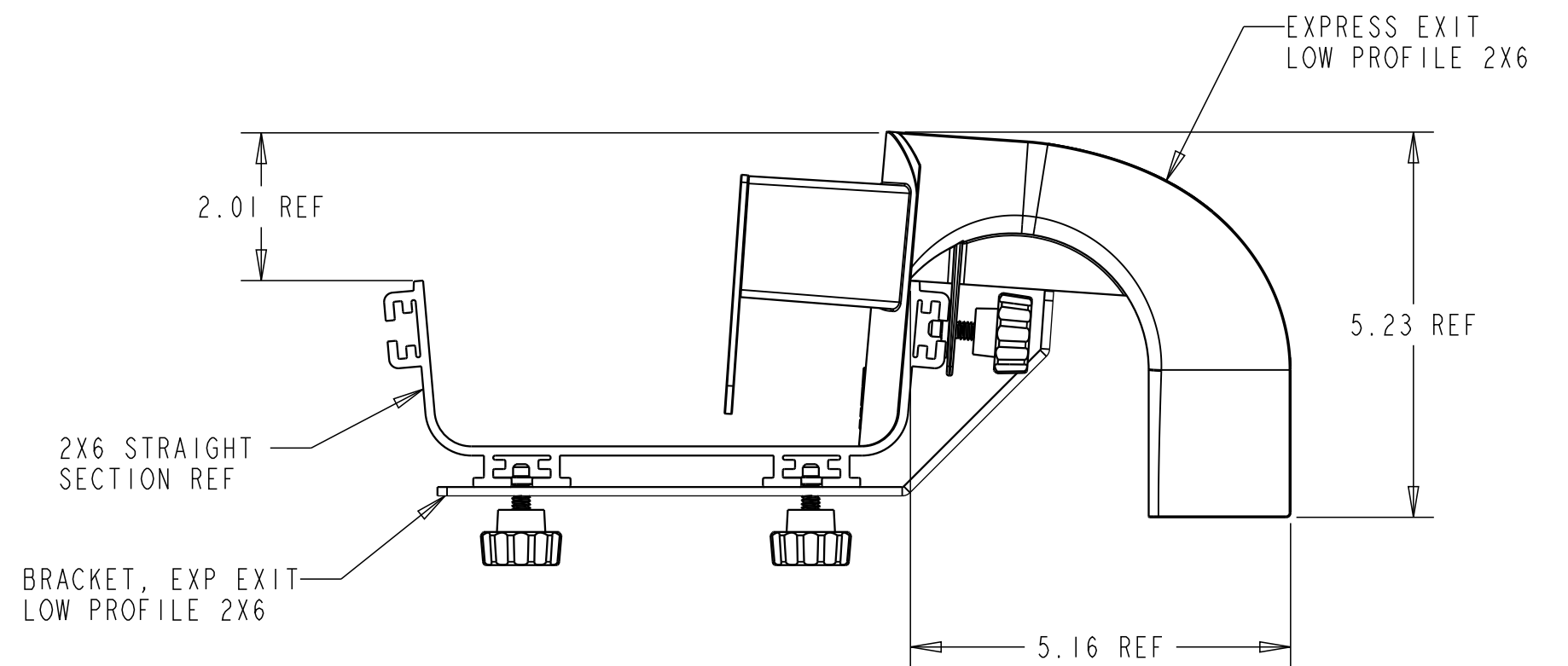
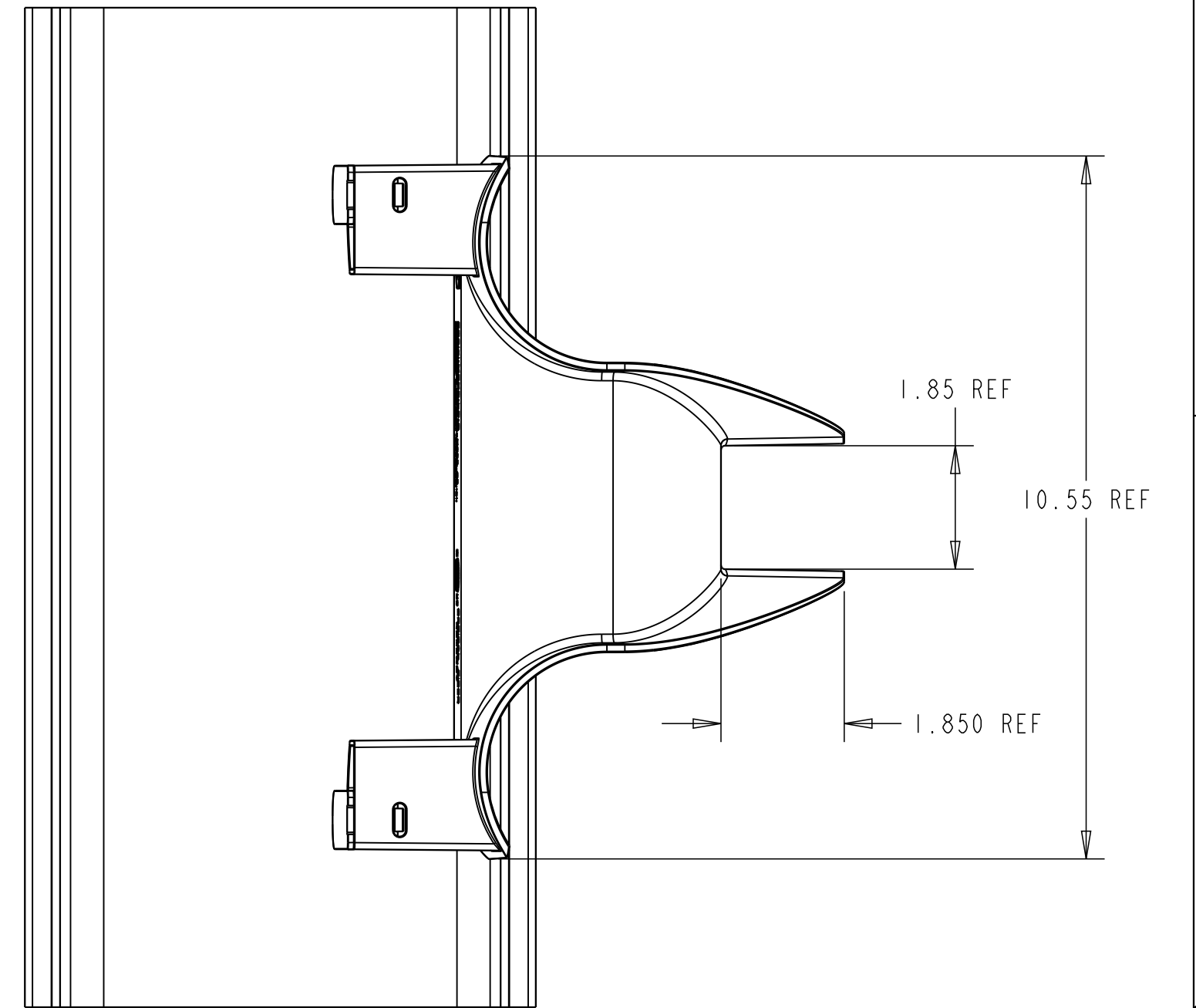
REV.	MCO	DWN	DATE
D	40017421MCO	OAVL	05-FEB-15
E	40032679MCO	IAV	03-AUG-16



COVER ON VIEW  
SCALE 0.500



COVER OFF VIEW  
SCALE 0.500



LOW PROFILE 2X6  
ON TROUGH VIEW  
SCALE 0.450

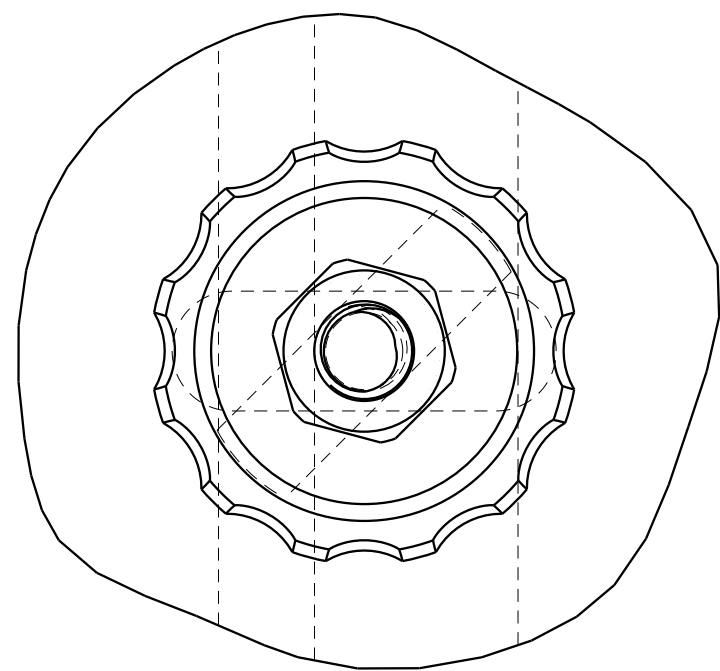
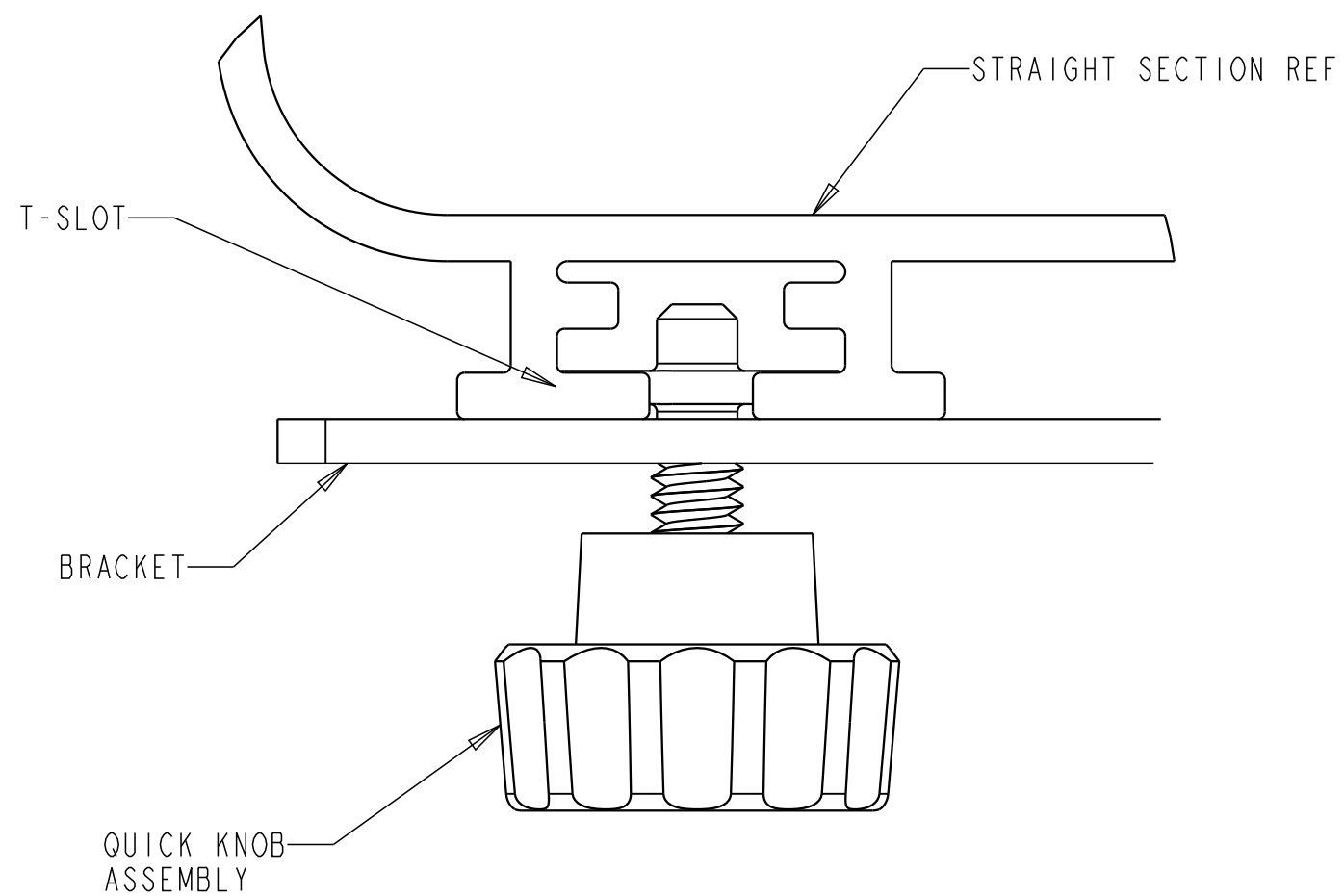
PARTS LIST	
DESCRIPTION	QTY
EXPRESS EXIT LOW PROFILE 2X6	1
COVER, EXPRESS EXIT LOW PROFILE 2X6	1
BRACKET, FIBER RETAINING	2
BRACKET, LOW PROFILE EXPRESS EXIT 2X6	1
QUICK KNOB ASSEMBLY	4

FGSS-MEXP-LP-G	SMOKE
FGS-MEXP-LP-G	YELLOW
<b>CATALOG NO.</b>	<b>COLOR</b>

<small>© 2016 COMMSCOPE, INC. CONFIDENTIAL NOTICE: THESE DRAWINGS AND SPECIFICATIONS ARE THE PROPRIETARY PROPERTY OF COMMSCOPE, INC. AND MAY BE USED ONLY FOR THE SPECIFIC PURPOSE AUTHORIZED IN WRITING BY COMMSCOPE, INC.</small>	TITLE DWNSTP, EX EXIT LOW PROFILE, 2X6, FGS	
	<small>ALL DIMS AND TOLERANCES .XX:± ARE INCHES UNLESS .XXX:± OTHERWISE SPECIFIED ANGULAR:±</small>	C SIZE DRAWING NUMBER 1174568_ADC
DO NOT SCALE DRAWING	ENGR: JOHN VAN SCOY DWN: MIKE WENTWORTH	SHT. 1 OF 2

COMMSCOPE, INC.

DIMENSIONS IN INCHES  
THIRD ANGLE PROJECTION



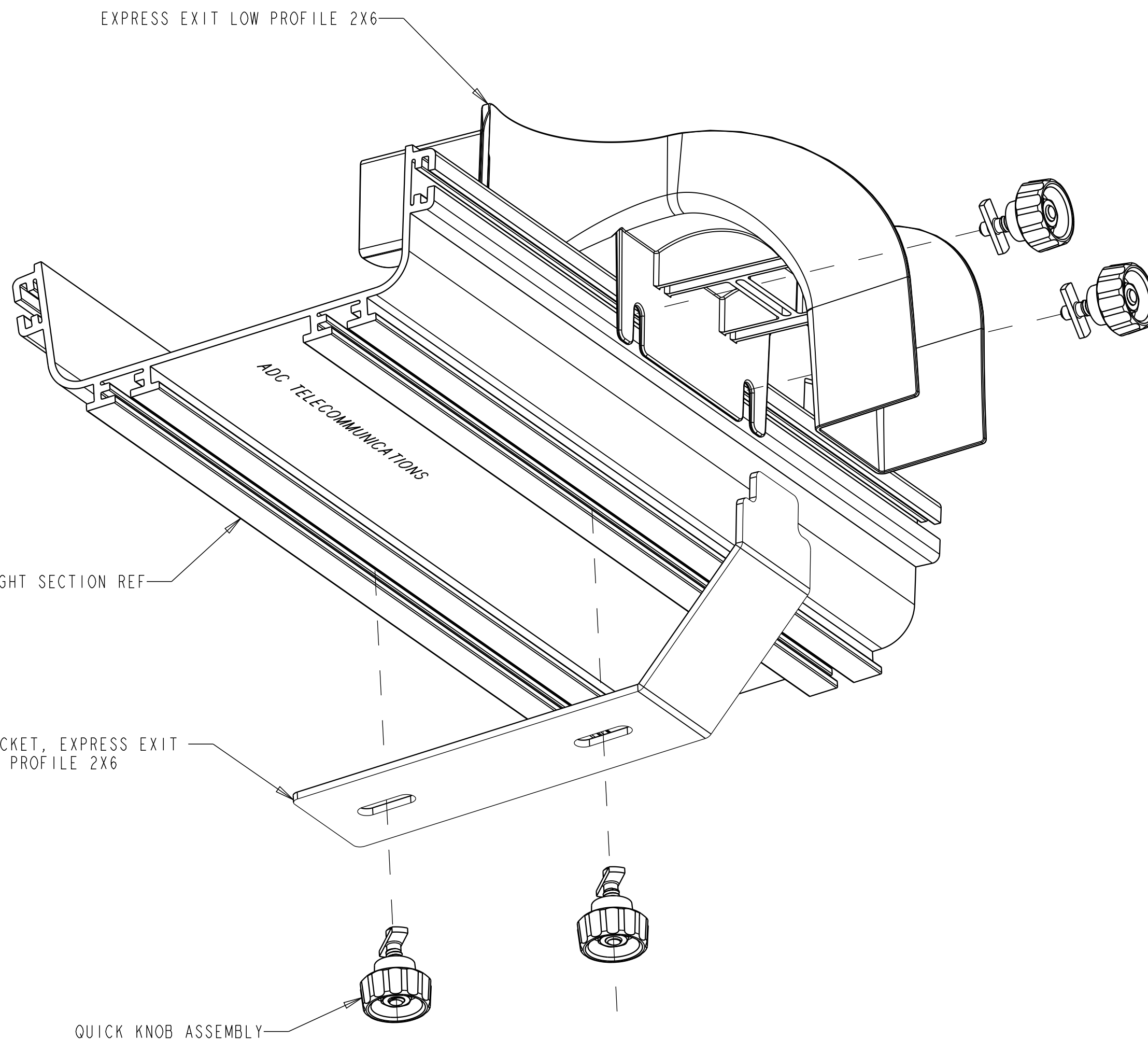
DETAIL A  
QUICK KNOB  
INSTALLATION VIEW  
SCALE 2.000

INSTALLATION INSTRUCTIONS:

1. PLACE LOW PROFILE EXPRESS EXIT ON STRAIGHT SECTION AS SHOWN.
2. LIFT ONE END OF LOW PROFILE EXPRESS EXIT AND INSTALL QUICK KNOBS INTO T-SLOT, LOWER EXPRESS EXIT ONTO STRAIGHT SECTION. REPEAT FOR OTHER SIDE. ROTATE QUICK KNOBS CLOCKWISE SUCH THAT T-BOLT FLANGES EXTEND INTO T-SLOT. LOOSELY HAND TIGHTEN QUICK KNOBS. SEE DETAIL A

\*WARNING: IF LOW PROFILE EXPRESS EXIT IS REMOVED FROM STRAIGHT SECTION WHILE QUICK KNOBS ARE INSTALLED, QUICK KNOBS WILL FALL OUT.

3. INSERT QUICK KNOBS THROUGH BRACKET, ROTATE 90 AND INTO T-SLOT IN STRAIGHT SECTION WHILE INSERTING INTO SLOT ON THE LOW PROFILE EXPRESS EXIT. ROTATE QUICK KNOBS CLOCKWISE SUCH THAT T-BOLT FLANGES EXTEND INTO T-SLOT. SEE DETAIL A.
4. TIGHTEN (4) QUICK KNOBS COMPLETELY.



EXPRESS EXIT LOW  
PROFILE 2X6 INSTALLATION  
2X6 STRAIGHT SECTION  
SCALE 0.650

COMMSCOPE, INC.

© 2016 COMMSCOPE, INC. CONFIDENTIAL NOTICE: THESE DRAWINGS AND SPECIFICATIONS ARE THE PROPRIETARY PROPERTY OF COMMSCOPE, INC. AND MAY BE USED ONLY FOR THE SPECIFIC PURPOSE AUTHORIZED IN WRITING BY COMMSCOPE, INC.		TITLE DWNSTP, EX EXIT LOW PROFILE, 2X6, FGS	
ALL DIMS AND TOLERANCES ARE INCHES UNLESS OTHERWISE SPECIFIED	.XX:± .XXX:± ANGULAR:±	C SIZE	DRAWING NUMBER 1174568_ADC
DO NOT SCALE DRAWING	ENGR: JOHN VAN SCOY DWN: MIKE WENTWORTH	E REV	
		SHT. 2 OF 2	

DIMENSIONS IN INCHES  
THIRD ANGLE PROJECTION