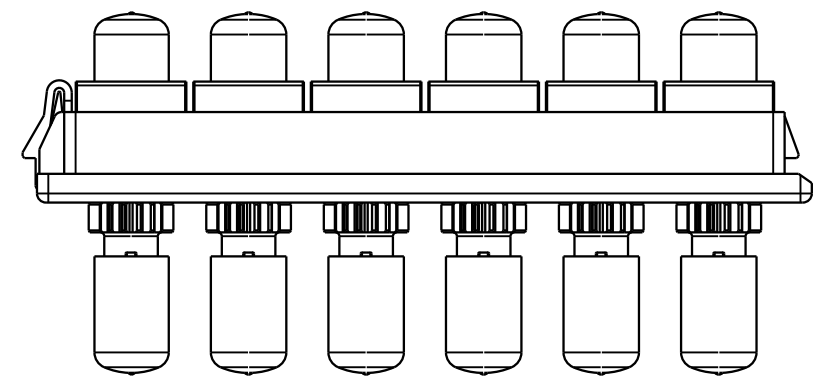
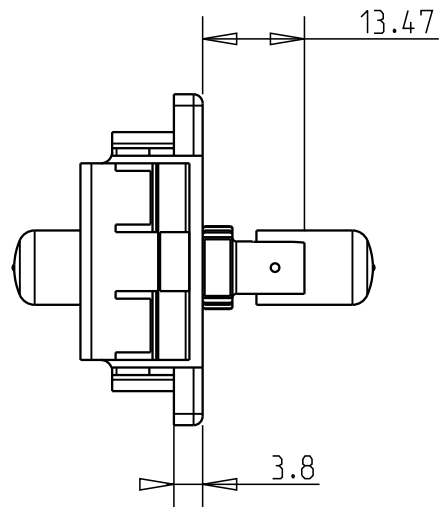
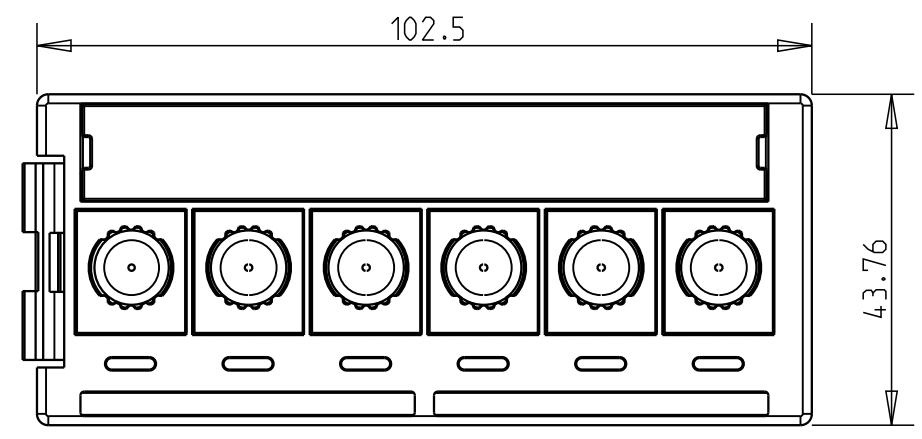
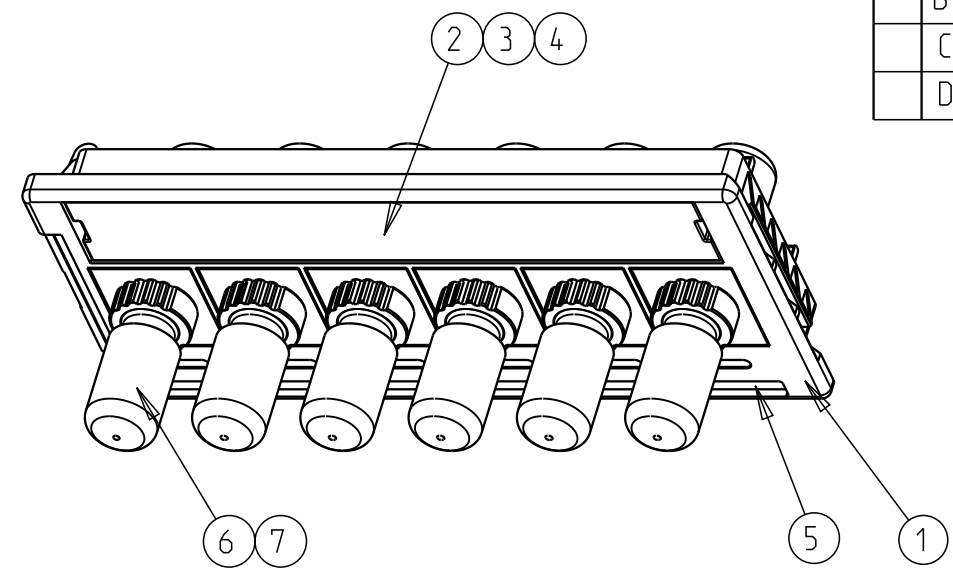


THIS DRAWING IS UNPUBLISHED. RELEASED FOR PUBLICATION

© 2016 COMMScope, INC. CONFIDENTIAL NOTICE: THESE DRAWINGS AND SPECIFICATIONS ARE THE PROPRIETARY PROPERTY OF COMMScope, INC. AND MAY BE USED ONLY FOR THE SPECIFIC PURPOSE AUTHORIZED IN WRITING BY COMMScope, INC.

REVISIONS					
P	LTR	DESCRIPTION	DATE	DWN	APVD
B		PROD.DWG. ADDED / NOTES ADDED	20NOV2008	HB	DT
B1		ECR-09-014986 Correct PN REV	02JUL2009	HB	DT
C		ECR-10-006362	23MAR2010	HB	DT
D		ECN 8000017762 - REBRANDING	01DEC2016	OV	LS

1. LABELS AND LABEL COVERS SHIPPED LOOSE.



6	-	-	SL ST Coupler MM	7
-	6	-	SL ST Coupler SM	6
1	1	-	Port ID label	5
1	1	-	Black label cover	4
1	1	-	Clear label cover	3
1	1	-	Interface housing label sheet	2
1	1	-	Interface housing UTP	1
-2	-1			
QUANTITY		PART NUMBER	DESCRIPTION	ITEM

THIS DRAWING IS A CONTROLLED DOCUMENT.

DIMENSIONS: mm	TOLERANCES UNLESS OTHERWISE SPECIFIED: 0 PLC ± 1 PLC ± 2 PLC ± 3 PLC ± 4 PLC ± ANGLES ±	MATERIAL -	FINISH -	DWN H.BLEUS 20NOV2008	CHK H.BLEUS 20NOV2008	APVD D.THUS 20NOV2008	NAME -	COMMScope, INC. ST SNAP-IN MODULE		
MATERIAL				PRODUCT SPEC -	APPLICATION SPEC -	WEIGHT -	SIZE A3			CAGE CODE -
CUSTOMER DRAWING				SCALE 1.000	SHEET 1	OF 1	REV D			