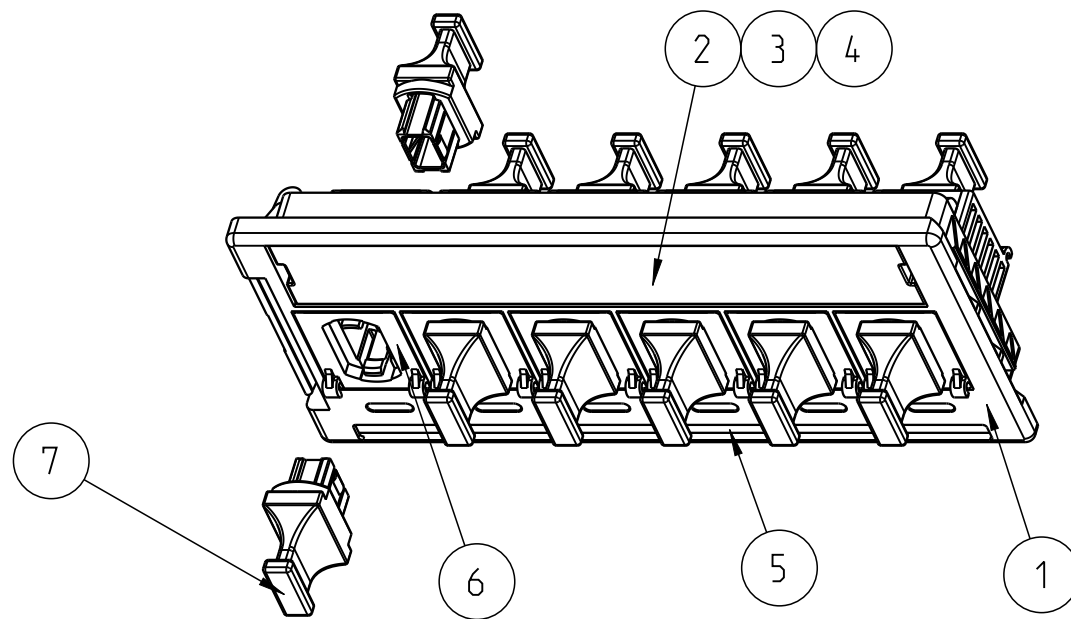


THIS DRAWING IS UNPUBLISHED.
© 2016 COMMScope, INC. CONFIDENTIAL

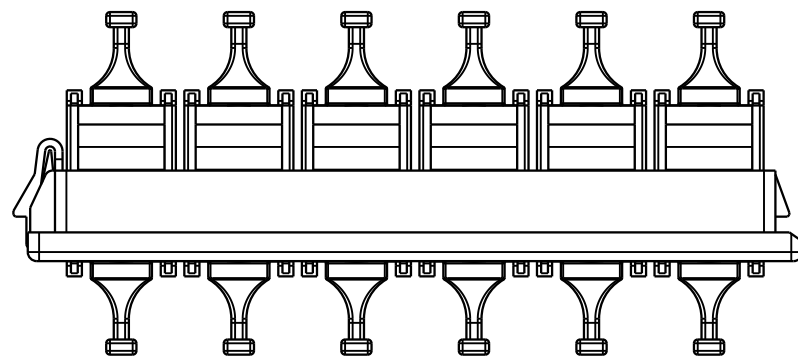
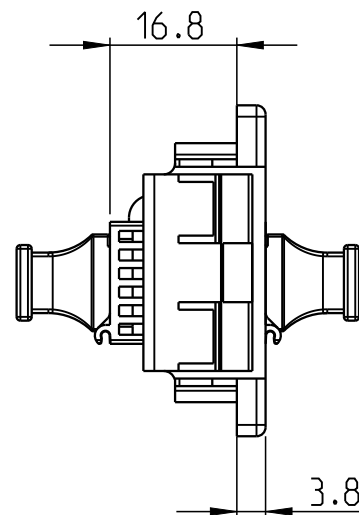
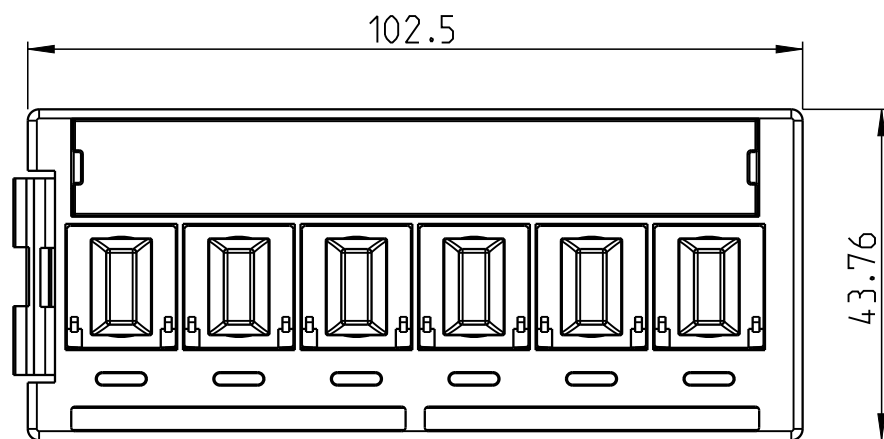
RELEASED FOR PUBLICATION
NOTICE: THESE DRAWINGS AND SPECIFICATIONS ARE THE PROPRIETARY PROPERTY OF COMMScope, INC. AND MAY BE USED ONLY FOR THE SPECIFIC PURPOSE AUTHORIZED IN WRITING BY COMMScope, INC.

LOC IV DIST 00

REVISIONS					
P	LTR	DESCRIPTION	DATE	DWN	APVD
A		INITIAL RELEASE	25AUG2010	HB	DT
A1		Port ID Label added	07JAN2013	HB	DT
B		ECN 8000017762 - REBRANDING	28NOV2016	OV	SL



1. ITEMS 2,3,4 AND 5 TO BE PACKAGED IN SMALL POLYBAG AND SHIPPED LOOSE.



12	-	FOAC PLUG DUCT CAP	7
6	-	SL-Style MPO Adaptor	6
1	-	Port ID label	5
1	-		
1	-	Black label cover	4
1	-	Clear label cover	3
1	-	Interface housing label sheet	2
1	-	Interface housing UTP	1
-1			
QTY	PART NUMBER	DESCRIPTION	ITEM

THIS DRAWING IS A CONTROLLED DOCUMENT.

DIMENSIONS:	TOLERANCES UNLESS OTHERWISE SPECIFIED:
mm	
	0 PLC ±SEE TABLE
	1 PLC ±SEE TABLE
	2 PLC ±SEE TABLE
	3 PLC ±SEE TABLE
	4 PLC ±SEE TABLE
	ANGLES ±SEE TABLE
MATERIAL	FINISH
-	-

DWN	H.BLEUS	24AUG2010
CHK	H.BLEUS	24AUG2010
APVD	D.THUS	24AUG2010
PRODUCT SPEC	-	-
APPLICATION SPEC	-	-
WEIGHT	-	-
CUSTOMER DRAWING		

COMMScope, INC.			
NAME			
MPO Quick-fit module			
SIZE	CAGE CODE	DRAWING NO	RESTRICTED TO
A3	-	C=1671200	-
SCALE 1:1		SHEET 1 OF 1	REV B