

THIS DRAWING IS UNPUBLISHED.

RELEASED FOR PUBLICATION

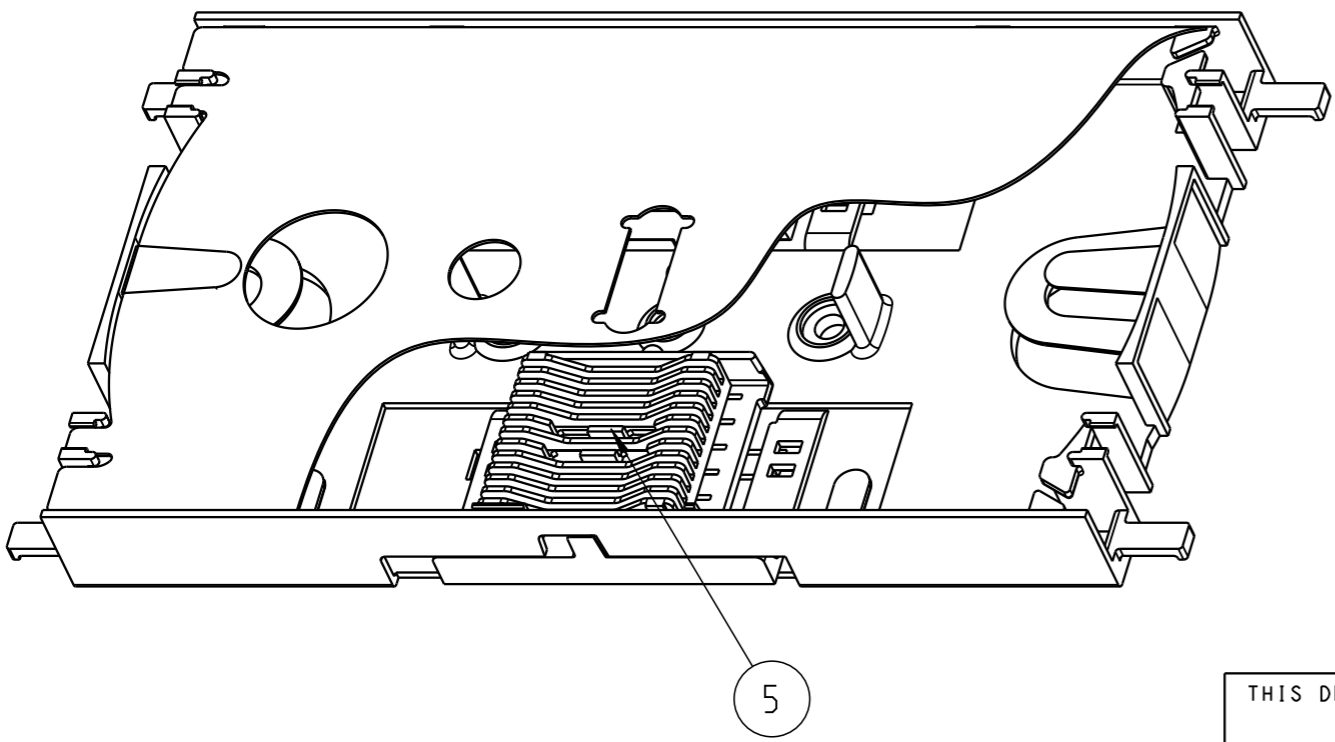
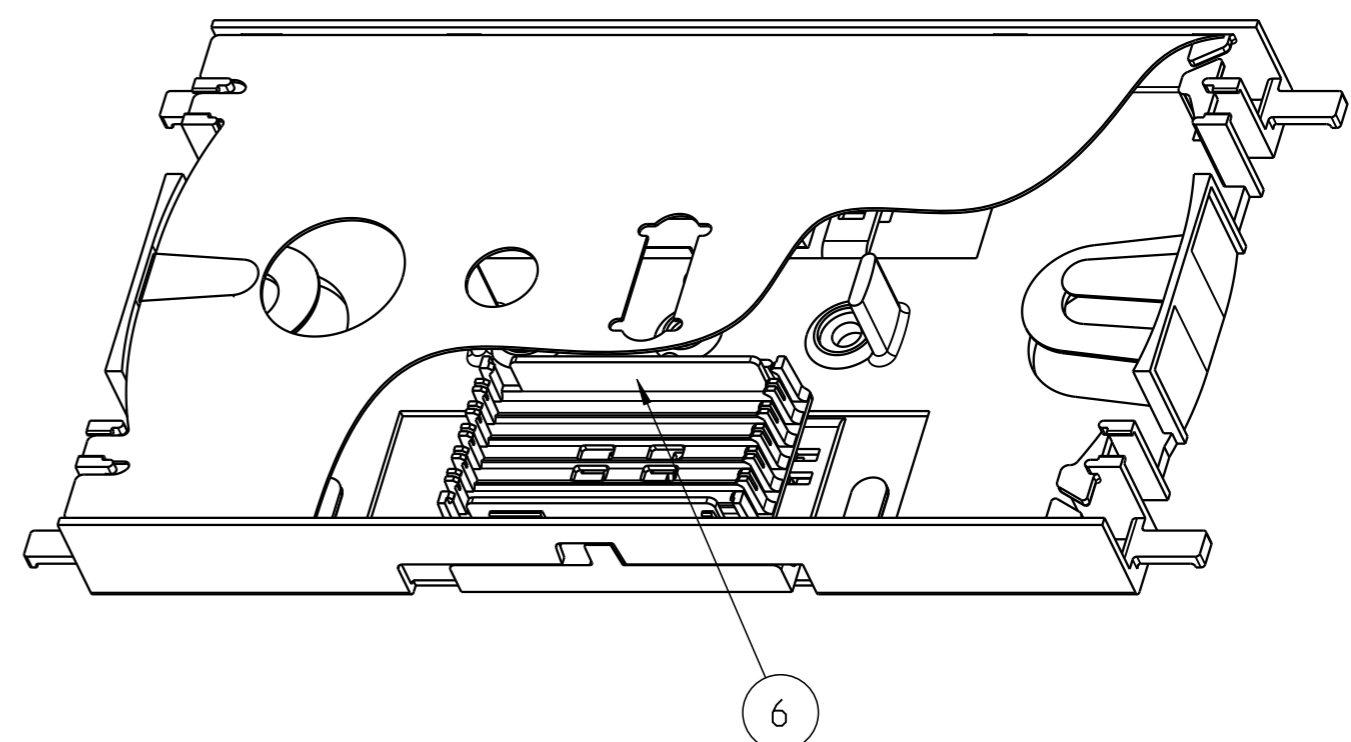
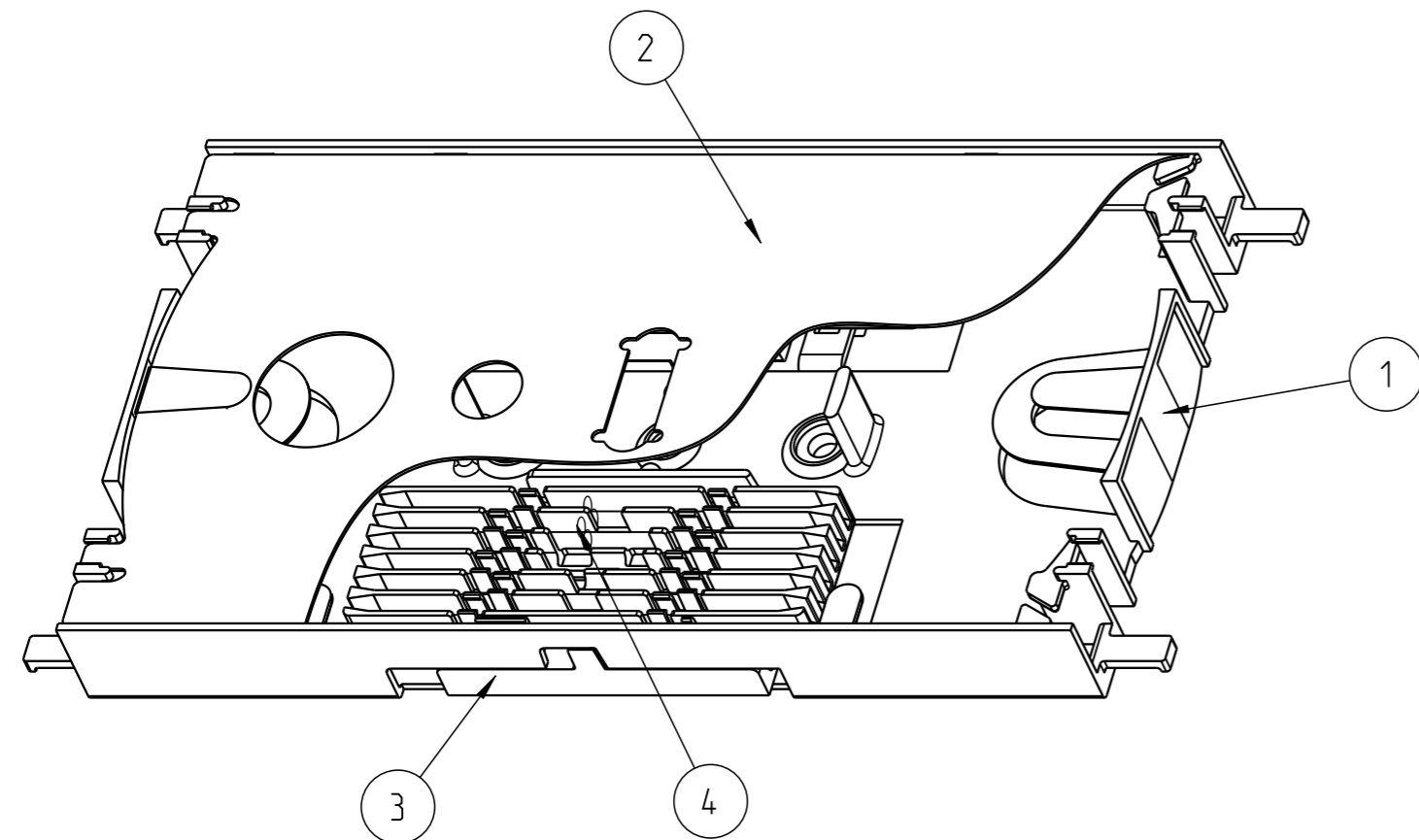
© 2016 COMMSCOPE, INC. - CONFIDENTIAL

NOTICE: THESE DRAWINGS AND SPECIFICATIONS ARE THE PROPRIETARY PROPERTY OF COMMSCOPE, INC. AND MAY BE USED ONLY FOR THE SPECIFIC PURPOSE AUTHORIZED IN WRITING BY COMMSCOPE, INC.

LOC IV DIST 00

REVISIONS

P	LTR	DESCRIPTION	DATE	DWN	APVD
A1		REVISED PER ECO-11-005139	16MAY2011	RK	HMR
B		ECN 8000019748 - REBRANDING	03FEB2017	ARL	JUM



QUANTITY	DESCRIPTION	ITEM
2	12 RECORD splice holder	6
-	12 ANT splice protectors	5
-	12 Smouve 60 splice protectors	4
2	Tray step	3
1	Traylid AA size	2
1	Tray AA size	1

THIS DRAWING IS A CONTROLLED DOCUMENT.

DWN H.BLEUS 21MAY2010

CHK -

APVD -

PRODUCT SPEC -

APPLICATION SPEC -

WEIGHT -

CUSTOMER DRAWING

COMMSCOPE, INC.

NAME Universal Splice Tray FOSC-500 AA

SIZE A3 CAGE CODE - DRAWING NO ©=1671281 RESTRICTED TO -

SCALE 1:1 SHEET 1 OF 1 REV B

DIMENSIONS:	TOLERANCES UNLESS OTHERWISE SPECIFIED:
mm	
	0 PLC ±SEE TABLE
	1 PLC ±SEE TABLE
	2 PLC ±SEE TABLE
	3 PLC ±SEE TABLE
	4 PLC ±SEE TABLE
	ANGLES ±SEE TABLE
MATERIAL -	FINISH -