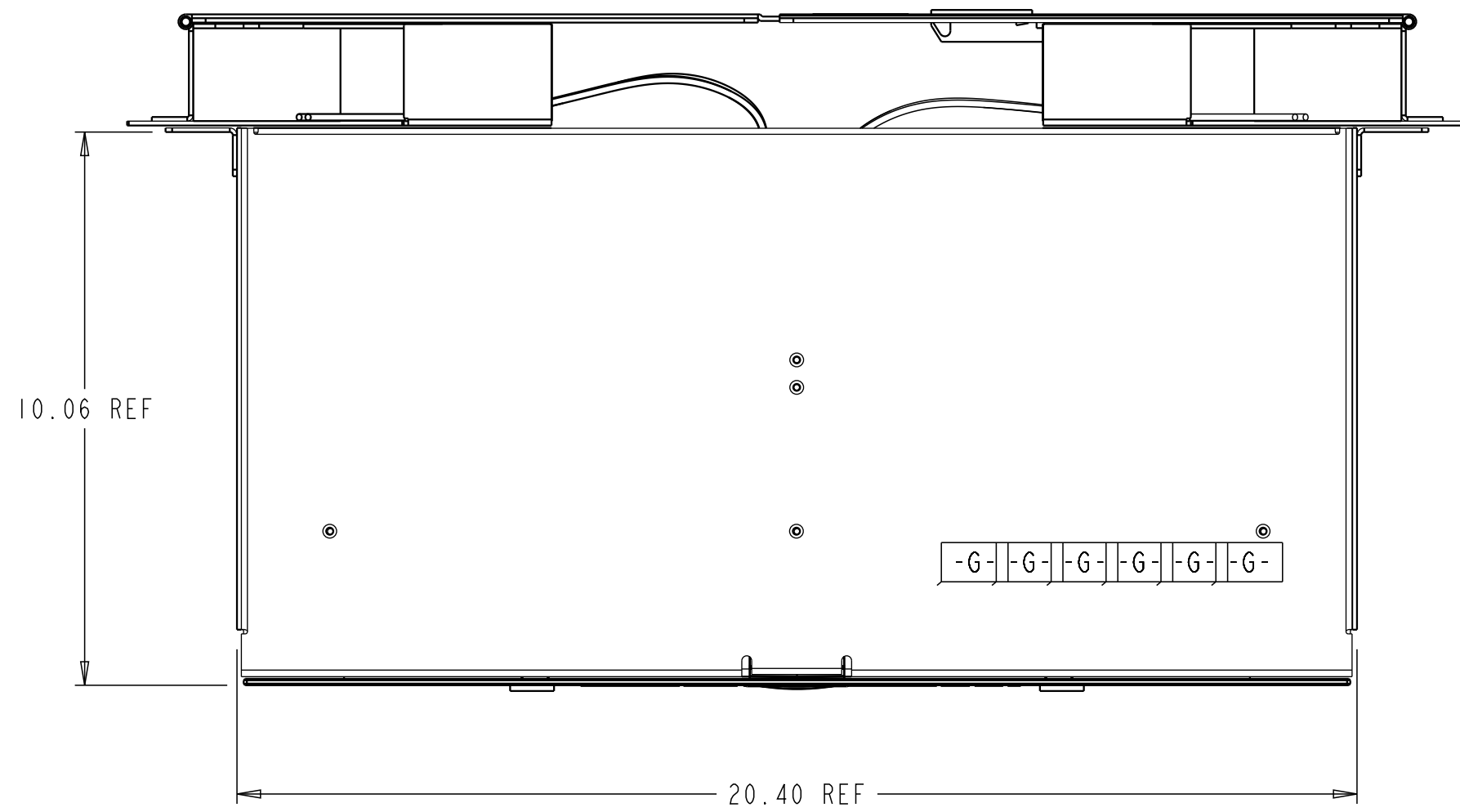
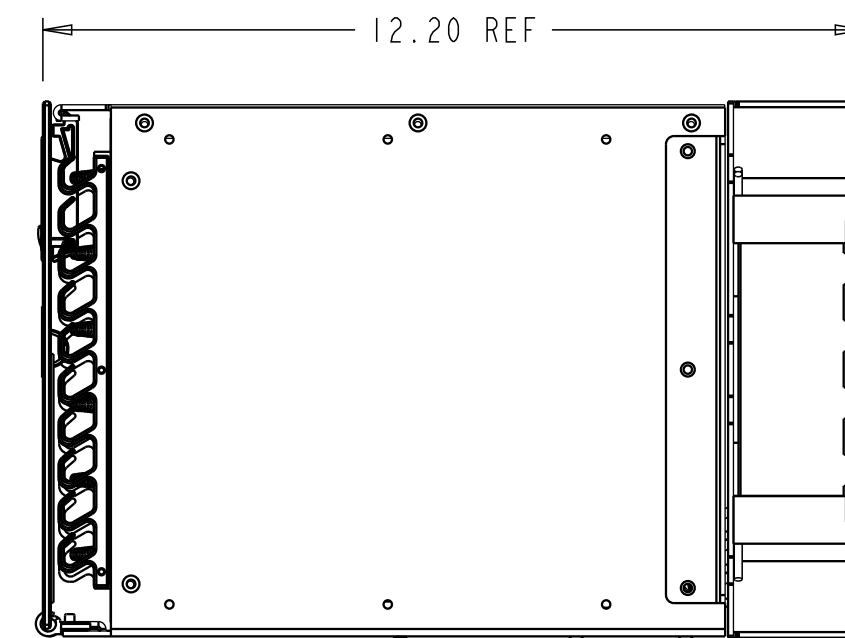
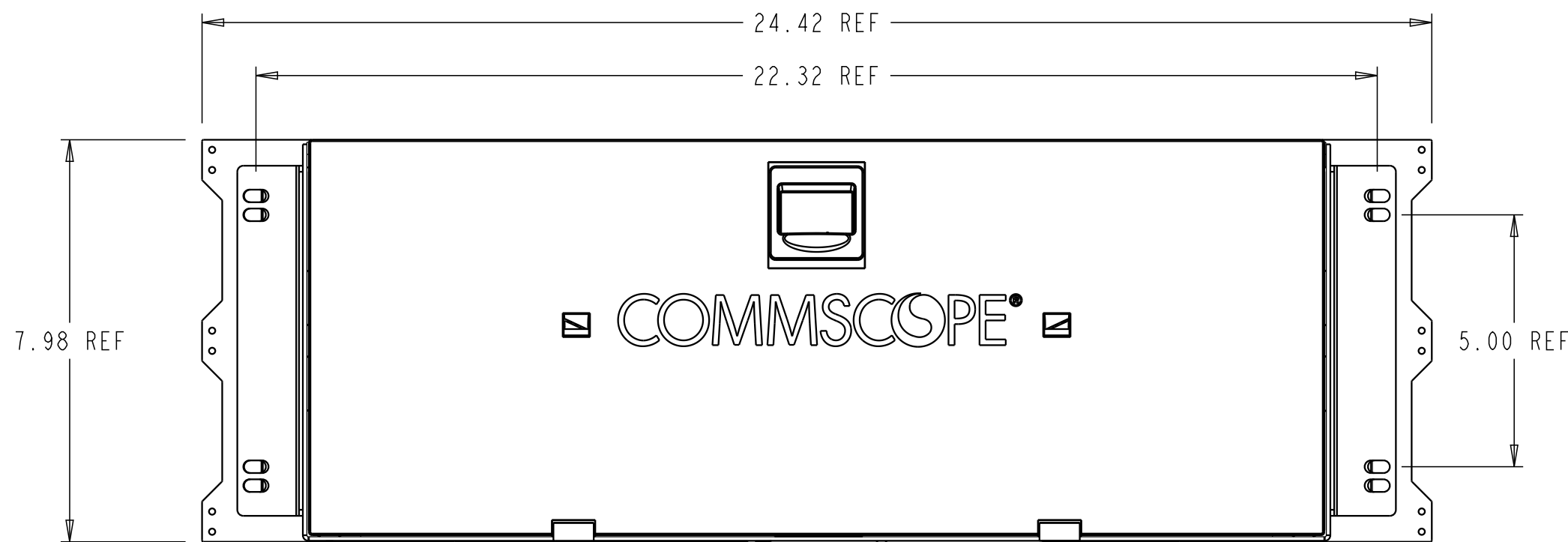


REV.	MCO	DWN	DATE
E	40022858MCO	LLBV	30-JUN-15
F	8000018631	OAVL	29-DEC-16



FCM-67M000	UPC SC	72
FCM-6LM000	APC SC	72
FCM-62M000	SM FC	72
FCM-6TM000	MM SC	72
FCM-ZLM000	APC SC	144
FCM-Z7M000	UPC SC	144
FCM-ZTM000	MM SC	144
PRODUCT NUMBER	CONN TYPE	FIBER QTY



NOTES:

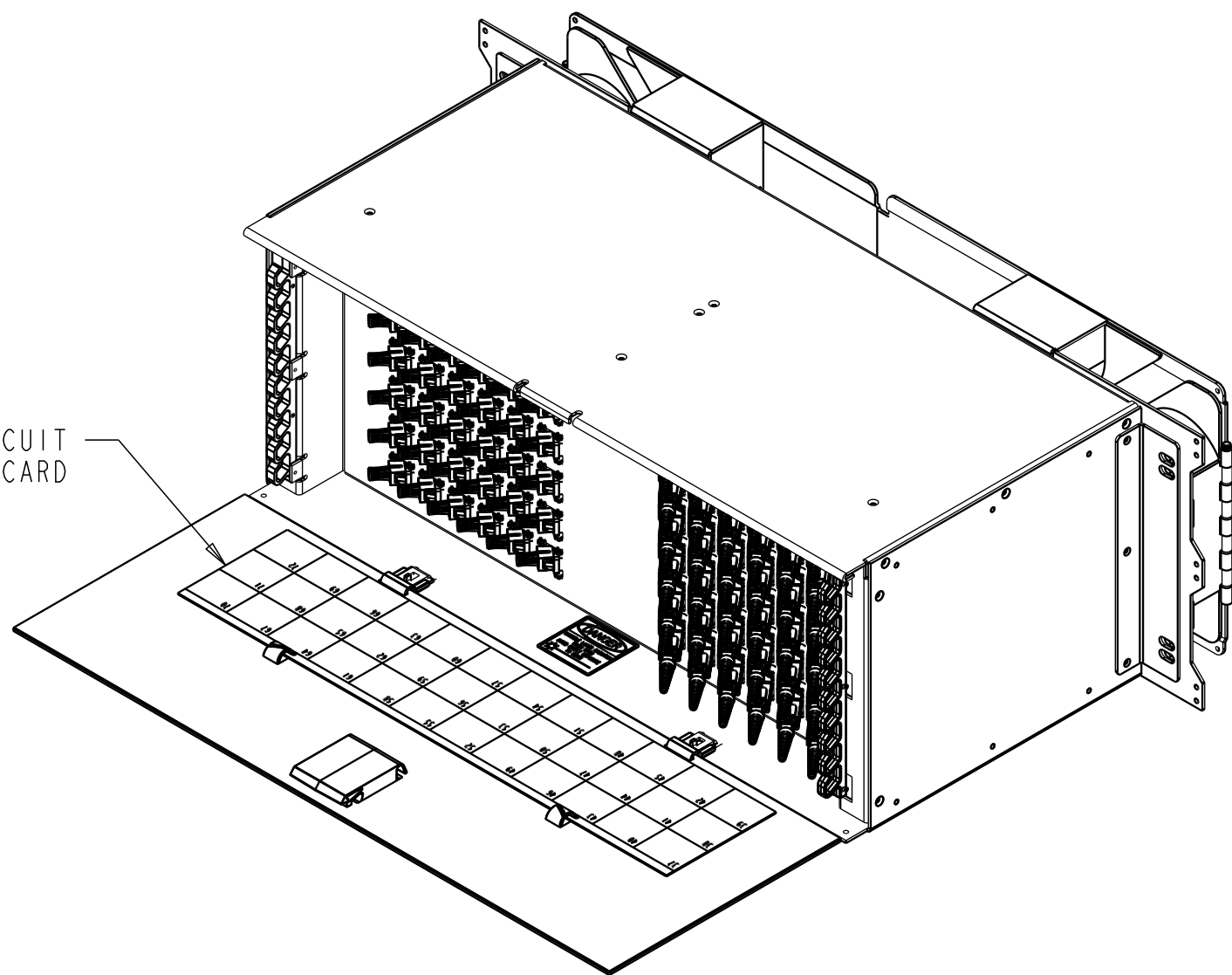
1. WHEN MOUNTING IN RACK, SLIDE MODULE INTO RACK FROM THE REAR SIDE AND SECURE TO REAR RACK FLANGE USING MOUNTING HARDWARE PROVIDED
2. DESIGNATION LABEL AND MOUNTING HARDWARE ARE INCLUDED WITH MODULE
3. USE SCREW #12-24 AND #12 WASHER (HARDWARE PROVIDED) FOR STANDARD GROUNDING BETWEEN THE PANEL AND THE RACK

COMMSCOPE, INC.

© 2016 COMMSCOPE, INC. CONFIDENTIAL NOTICE: THESE DRAWINGS AND SPECIFICATIONS ARE THE PROPRIETARY PROPERTY OF COMMSCOPE, INC. AND MAY BE USED ONLY FOR THE SPECIFIC PURPOSE AUTHORIZED IN WRITING BY COMMSCOPE, INC.		TITLE 8" FCM W/MPO REAR ADAPTER INTERFACE INSTALLATION DRW	
ALL DIMS AND TOLERANCES ARE INCHES UNLESS OTHERWISE SPECIFIED		C SIZE	F REV
DO NOT SCALE DRAWING		ENGR: ERIK ESTRADA DWN: R. CAZARES	DRAWING NUMBER 300001725401
		SHT. 1 OF 3	

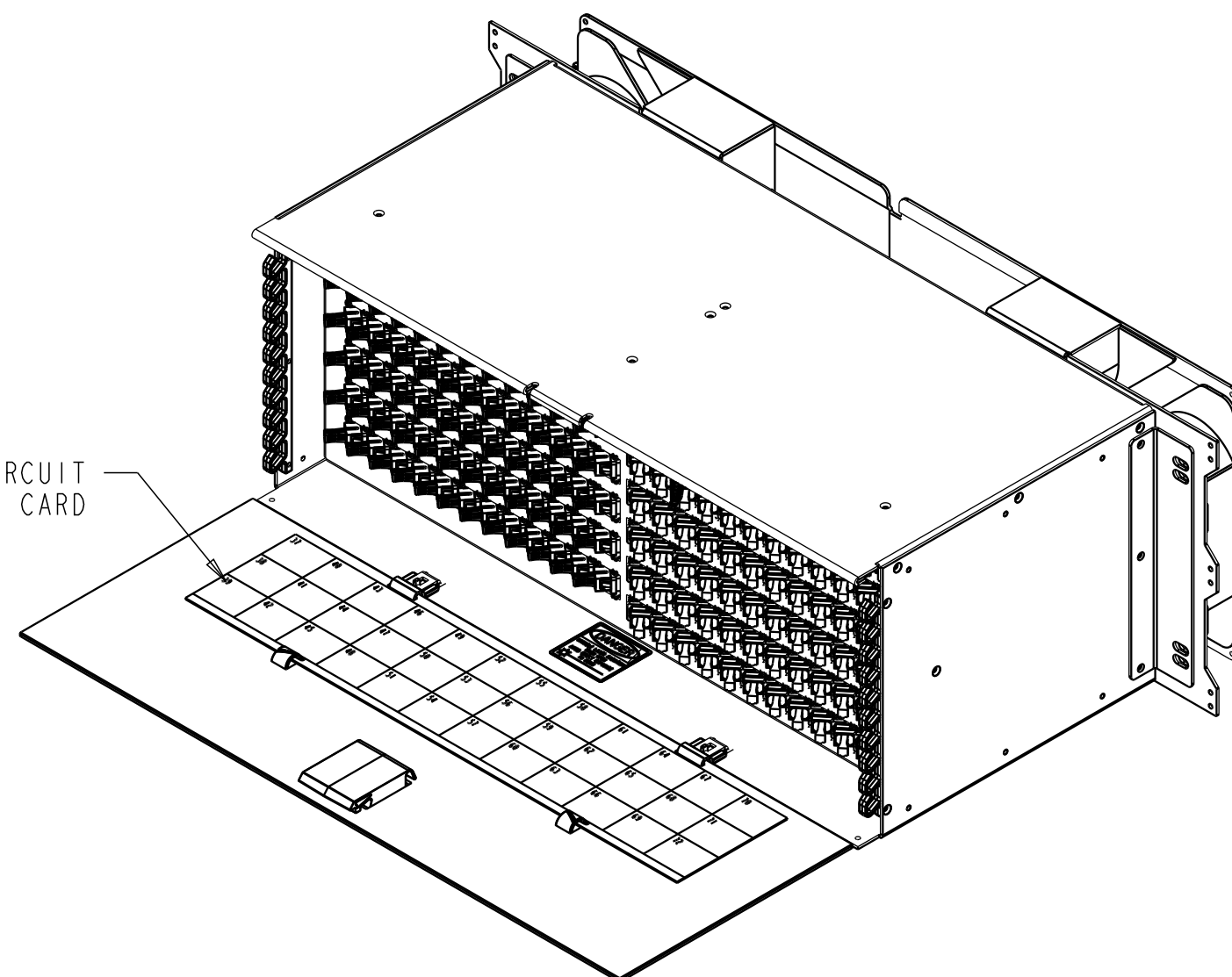
DIMENSIONS IN INCHES
THIRD ANGLE PROJECTION

FRONT CIRCUIT
DESIGNATION CARD

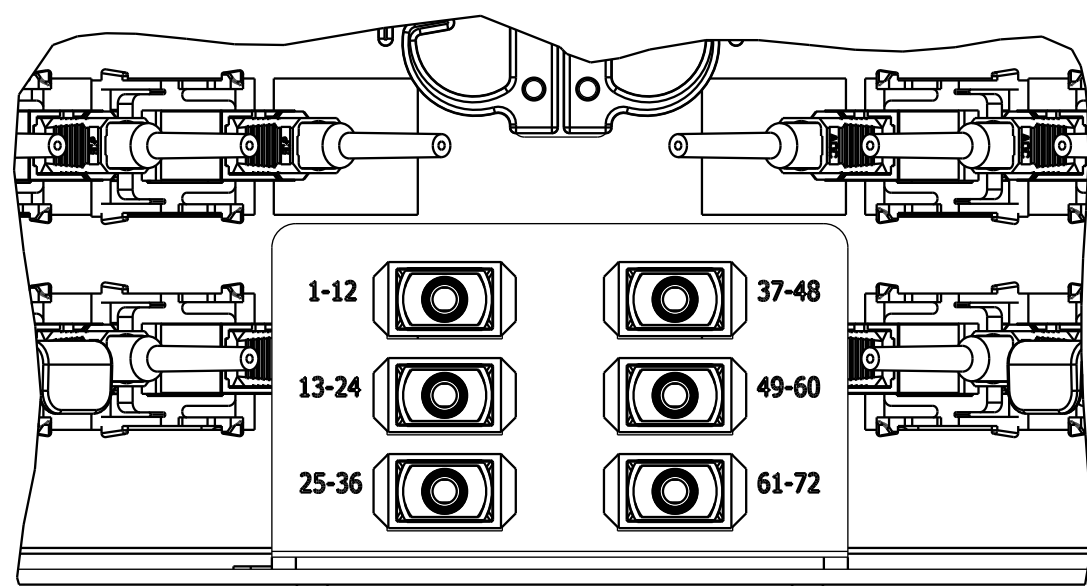


FRONT ISO VIEW
72 POSITION PANEL
(SHOWING WITH RETAINERS/ADAPTERS
FRONT DOOR SWING DOWN 90°)

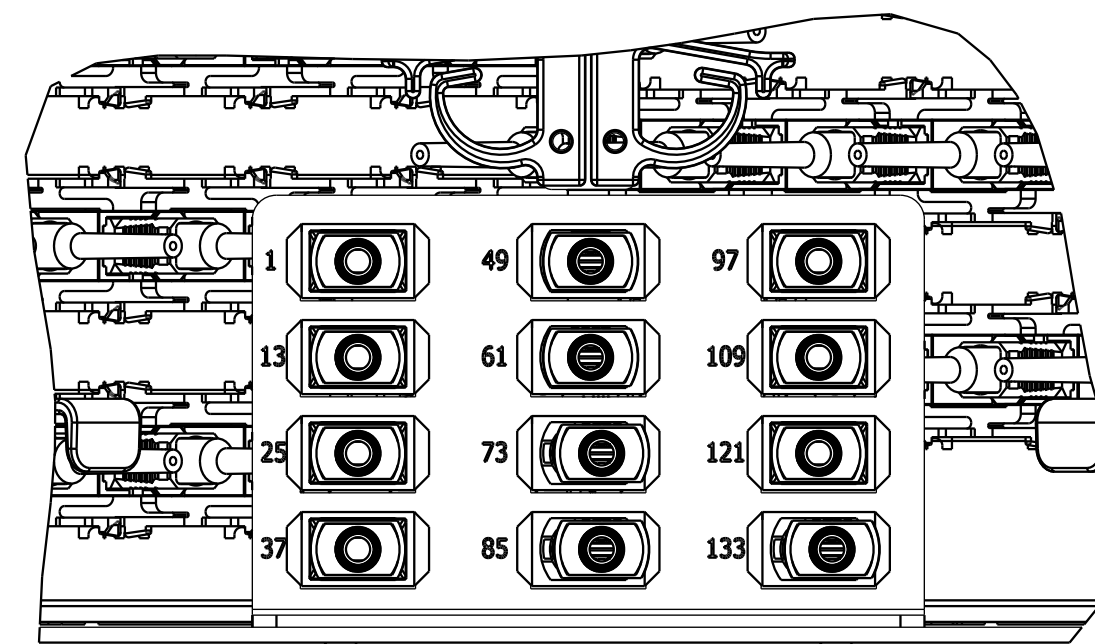
FRONT CIRCUIT
DESIGNATION CARD



FRONT ISO VIEW
144 POSITION PANEL
(SHOWING WITH RETAINERS/ADAPTERS
FRONT DOOR SWING DOWN 90°)



REAR MPO BULKHEAD
6 POSITION
SCALE: 1.000



REAR MPO BULKHEAD
12 POSITION
SCALE: 1.000

COMMSCOPE, INC.

© 2016 COMMSCOPE, INC. CONFIDENTIAL
NOTICE: THESE DRAWINGS AND SPECIFICATIONS
ARE THE PROPRIETARY PROPERTY OF
COMMSCOPE, INC. AND MAY BE USED ONLY FOR THE
SPECIFIC PURPOSE AUTHORIZED IN WRITING BY
COMMSCOPE, INC.

ALL DIMS AND TOLERANCES .XX:±REF
ARE INCHES UNLESS .XXX:±REF
OTHERWISE SPECIFIED ANGULAR:±REF

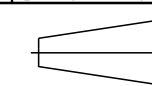
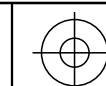
DO NOT SCALE DRAWING

TITLE 8" FCM W/MPO
REAR ADAPTER INTERFACE
INSTALLATION DRW

DRAWING NUMBER 300001725401

ENGR: ERIK ESTRADA
DWN: R. CAZARES

SHT. 2 OF 3



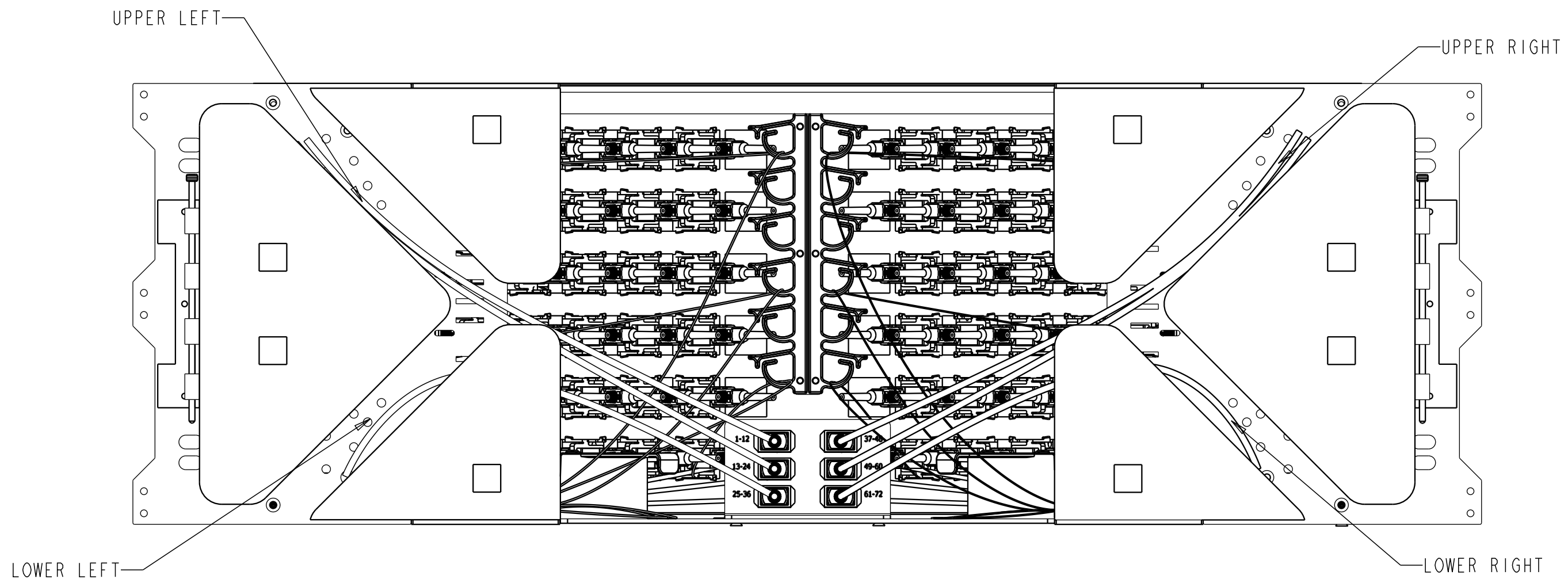
**DIMENSIONS IN INCHES
THIRD ANGLE PROJECTION**

A

B

C

D



NOTES:

- 4. MPO TRUNK CABLE MAYBE ROUTED INTO THE 8" FDF WITH MPO REAR INTERFACE FROM ABOVE OR BELOW OF THE FDF FRAME. ALSO COULD BE ROUTED FROM RIGHT SIDE OR LEFT SIDE OF THE RACK
- 5. USE REAR CABLE MANAGMET FROM THE REAR OF THE PANEL TO ROUTE THE CABLES INTO THE 8" FDF WITH MPO REAR INTERFACE MODULE
- 6. CONNECT THE MPO CONNECTOR ON ONE OF THE POSITIOS OF THE MPO BULKHEAD (AS APPLY)
- 7. REPEAT THIS INSTRUCTIONS FOR EACH CABLE BEING INSTALLED

COMMSCOPE, INC.

<small>© 2016 COMMSCOPE, INC. CONFIDENTIAL NOTICE: THESE DRAWINGS AND SPECIFICATIONS ARE THE PROPRIETARY PROPERTY OF COMMSCOPE, INC. AND MAY BE USED ONLY FOR THE SPECIFIC PURPOSE AUTHORIZED IN WRITING BY COMMSCOPE, INC.</small>		TITLE 8" FCM W/MPO REAR ADAPTER INTERFACE INSTALLATION DRW	
<small>ALL DIMS AND TOLERANCES .XX:±REF ARE INCHES UNLESS .XXX:±REF OTHERWISE SPECIFIED ANGULAR:±REF</small>		C SIZE	DRAWING NUMBER 300001725401
DO NOT SCALE DRAWING		ENGR: ERIK ESTRADA DWN: R. CAZARES	F REV SHT. 3 OF 3

**DIMENSIONS IN INCHES
THIRD ANGLE PROJECTION**

A

B

C

1

2

3

4

1

2

3

4