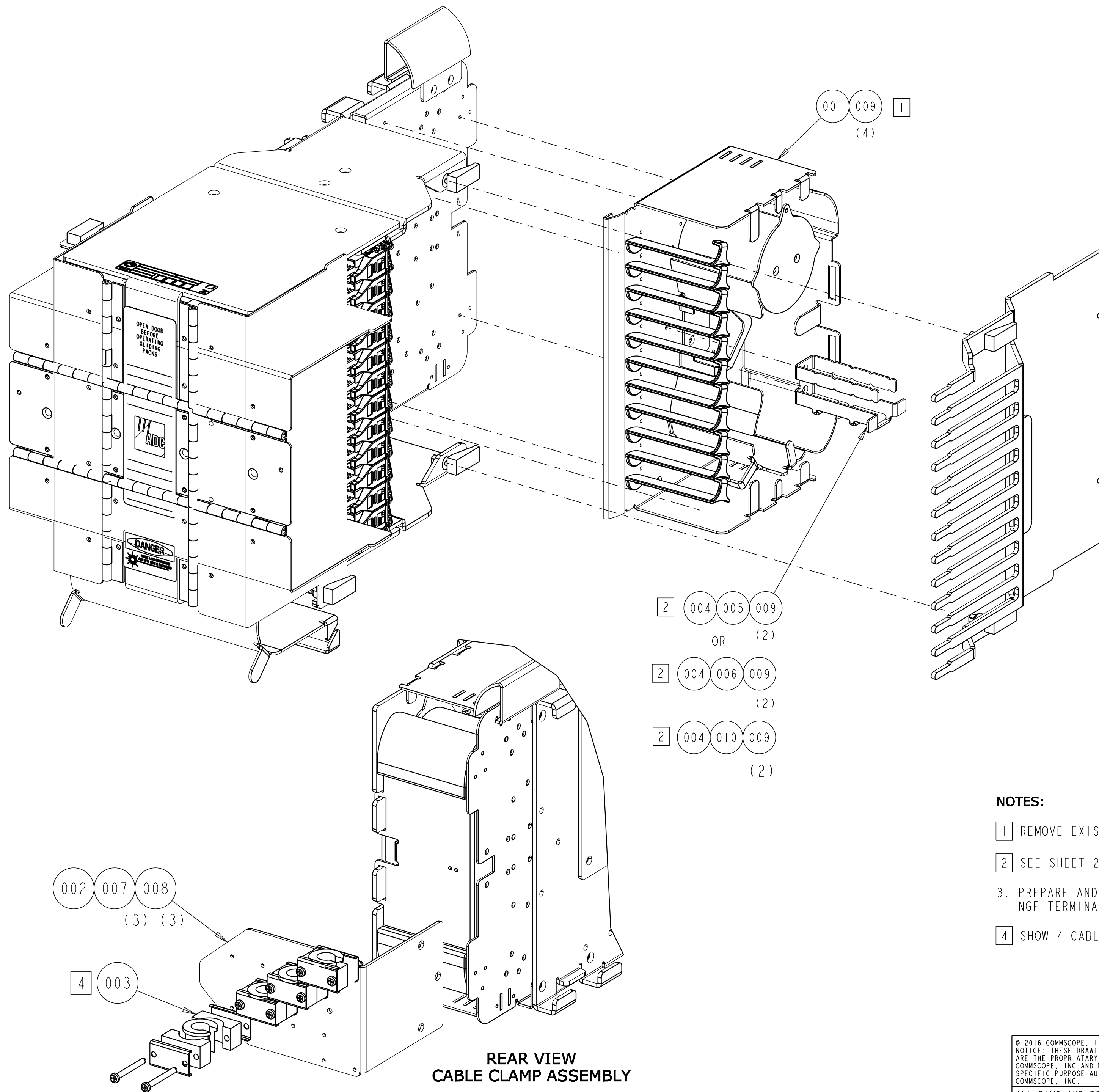


REV	MCO	DWN	DATE
B	40019926MCO	GCC	24-FEB-15
C	40032679MCO	IAV	04-AUG-16

ITEM	DESCRIPTION	QTY
001	IFC REAR TRAY, LEFT, UP	1
002	CABLE CLAMP BRACKET	1
003	CABLE CLAMP KIT	1
004	O-RING	1
005	FAN-OUT BRACKET (ALL IFC EXCEPT 96 POS)	1
006	FAN-OUT BRACKET (ONLY 96 POS IFC)	1
007	#12-24 X .375 SCREW	3
008	#12 WASHER	3
009	#4-40 X .25 SCREW	8
010	FAN-OUT BRACKET (192 POS)	1
999	ROUTING DRAWING	1



- 2 004 005 009 (2)
OR
- 2 004 006 009 (2)
- 2 004 010 009 (2)

NOTES:

- 1 REMOVE EXISTING LEFT TRAY AND REPLACE WITH ITEM 001 AS SHOWN.
- 2 SEE SHEET 2.
- 3. PREPARE AND ROUTE CABLE ASSEMBLIES AS SHOWN IN USER MANUAL WITH NGF TERMINAL BLOCK.
- 4 SHOW 4 CABLE CLAMPS ONLY REFERENCE.

NGF-ACCRCMSLU-16	PUTTY WHITE
NGFB-ACCRCMSLU	BLACK TEXTURED
NGF-ACCRCMSLU	PUTTY WHITE
CATALOG	FINISH

© 2016 COMMSCOPE, INC. CONFIDENTIAL
 NOTICE: THESE DRAWINGS AND SPECIFICATIONS ARE THE PROPRIETARY PROPERTY OF COMMSCOPE, INC. AND MAY BE USED ONLY FOR THE SPECIFIC PURPOSE AUTHORIZED IN WRITING BY COMMSCOPE, INC.
 ALL DIMS AND TOLERANCES .XX:±N/A ARE INCHES UNLESS .XXX:±N/A OTHERWISE SPECIFIED ANGULAR:±N/A

TITLE CONVERSION KIT,
 NGF-TB, 96/144, LEFT UP

DO NOT SCALE DRAWING	ENGR: JOSE MENDOZA DWN: HERMAN SAENZ	DRAWING NUMBER 300001771867	SHT. 1 OF 8
----------------------	---	--------------------------------	-------------

COMMSCOPE, INC.

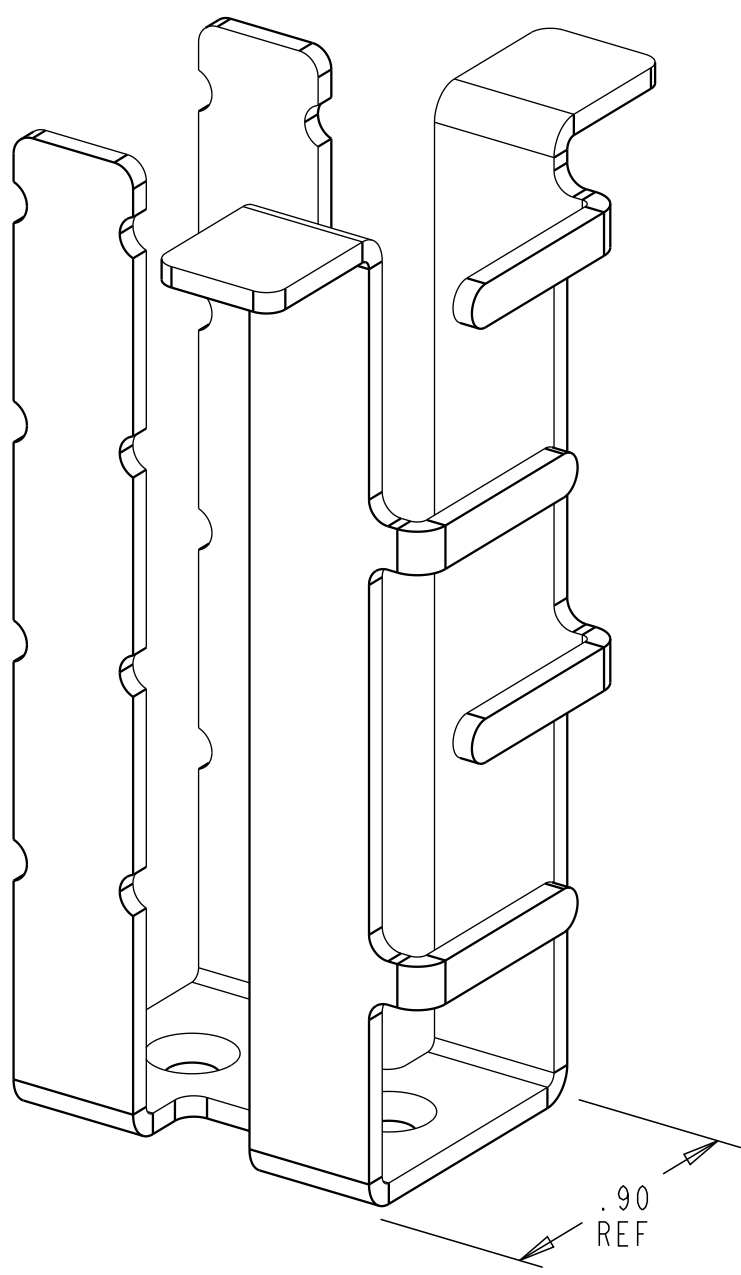
DIMENSIONS IN INCHES
 THIRD ANGLE PROJECTION

A

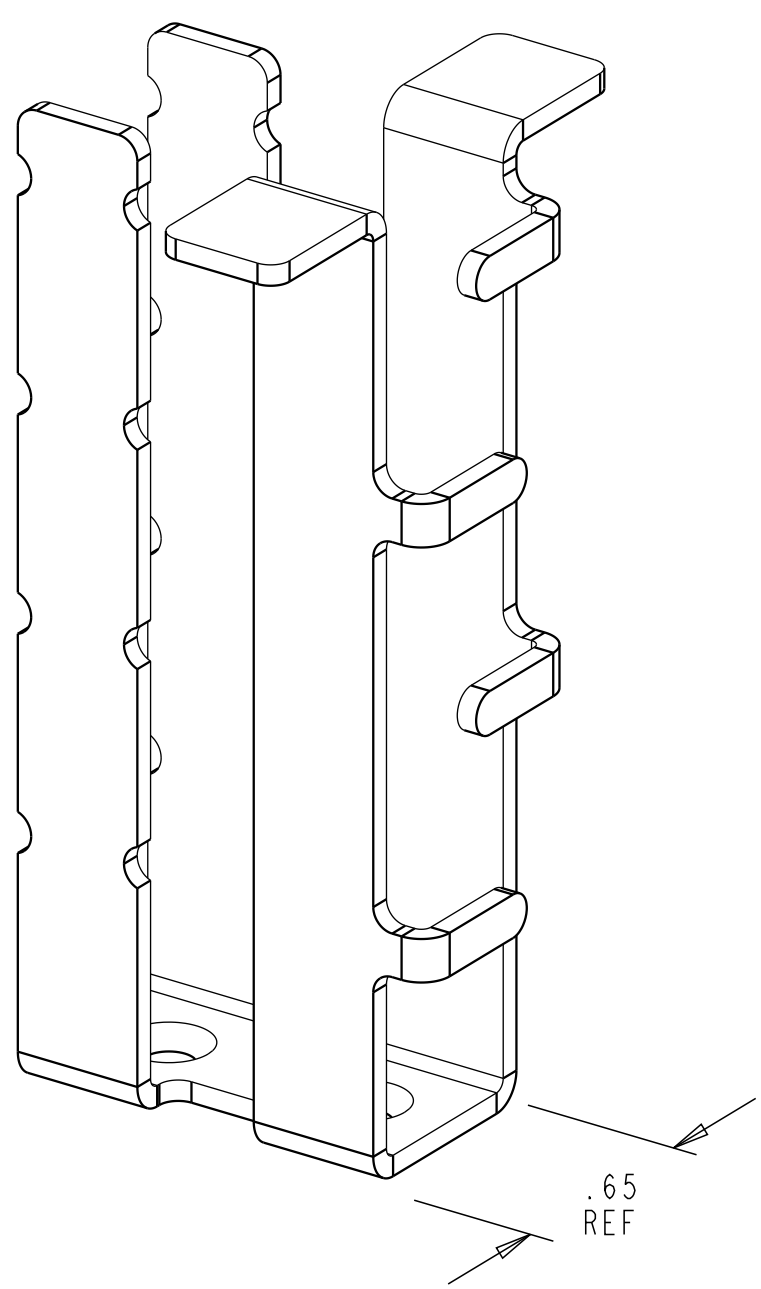
B

C

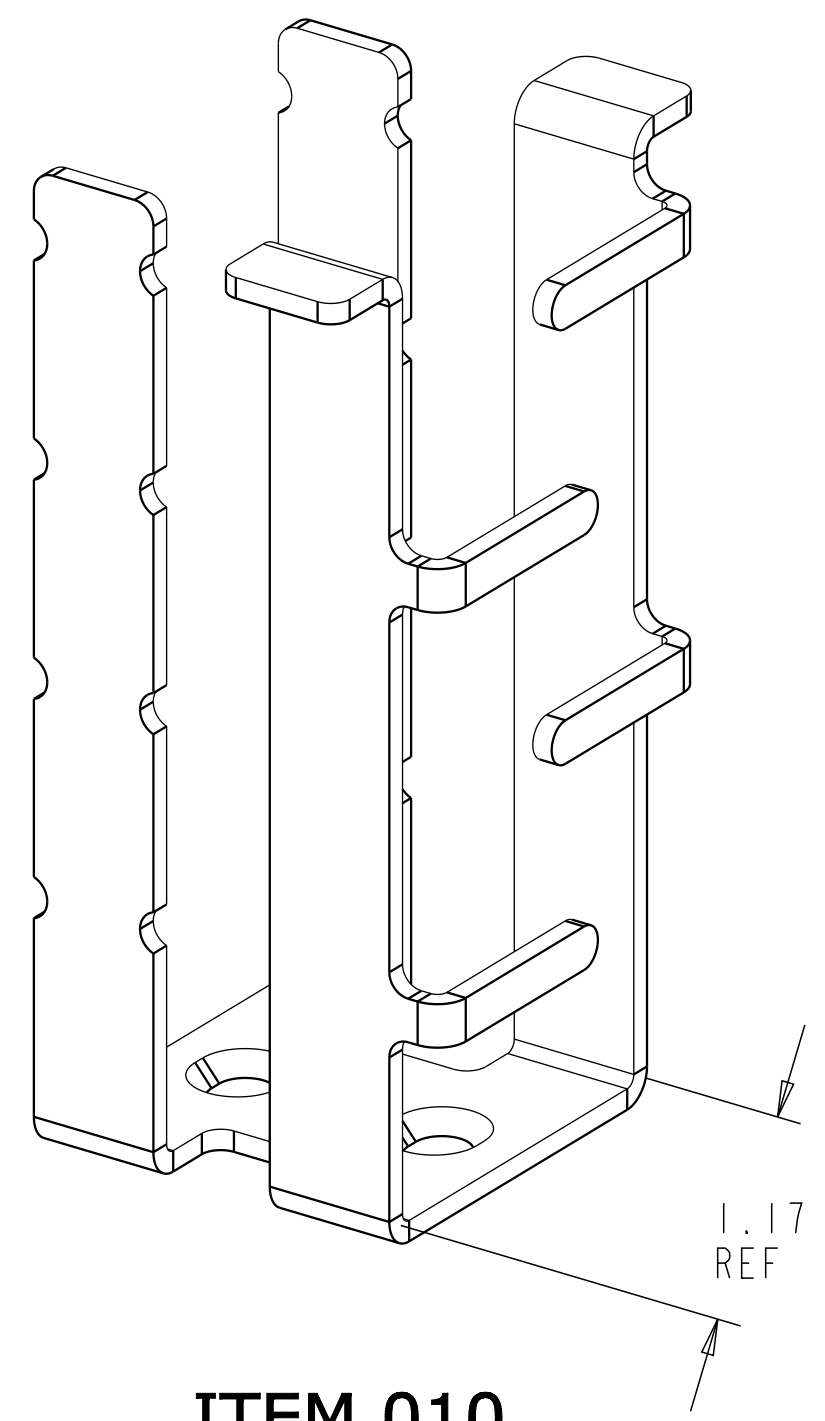
D



ITEM 005
SCALE 2.000



ITEM 006
SCALE 2.000



ITEM 010
SCALE 2.000

COMMSCOPE, INC.

© 2016 COMMSCOPE, INC. CONFIDENTIAL
NOTICE: THESE DRAWINGS AND SPECIFICATIONS
ARE THE PROPRIETARY PROPERTY OF
COMMSCOPE, INC. AND MAY BE USED ONLY FOR THE
SPECIFIC PURPOSE AUTHORIZED IN WRITING BY
COMMSCOPE, INC.

TITLE
CONVERSION KIT,
NGF-TB, 96/144, LEFT UP

ALL DIMS AND TOLERANCES .XX:±N/A
ARE INCHES UNLESS .XXX:±N/A
OTHERWISE SPECIFIED ANGULAR:±N/A

C
SIZE
DRAWING NUMBER
300001771867
C
REV

DO NOT SCALE DRAWING

ENGR: DAN HERZOG
DWN: J SANTANA LOPEZ

SHT. 2 OF 8



**DIMENSIONS IN INCHES
THIRD ANGLE PROJECTION**

A

B

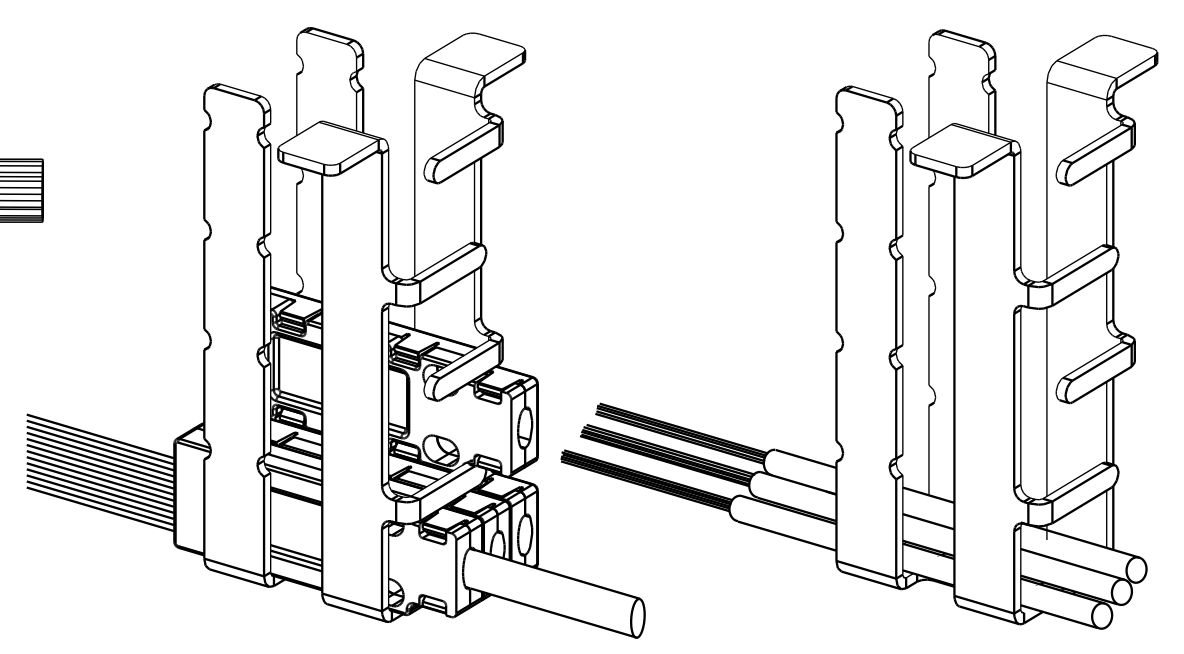
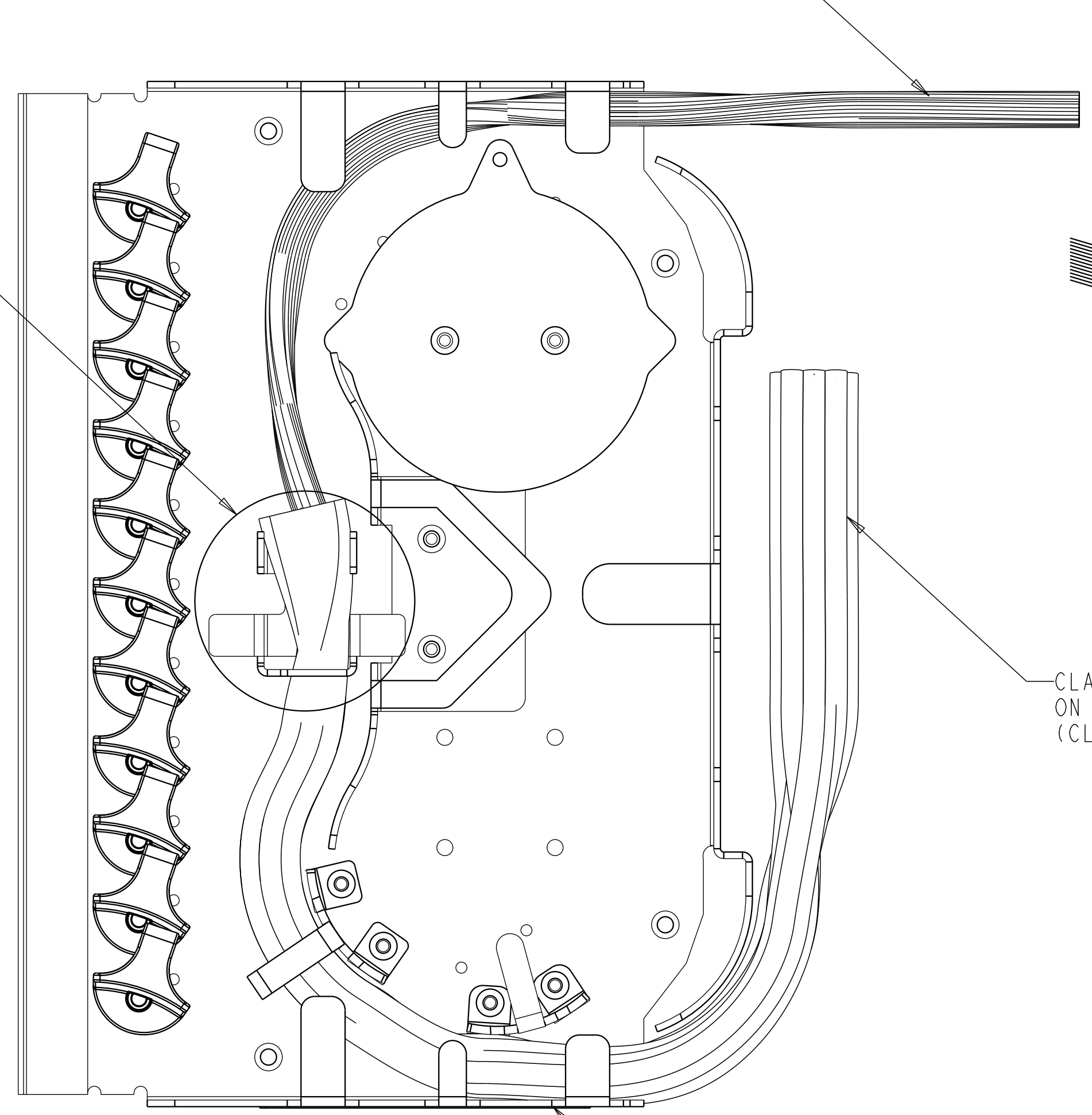
C

D

REFERENCE CABLE ROUTING

ROUTE FIBER AS SHOWN

SEE DETAIL A



FOR RIBBON FIBER

FOR STRANDED FIBER

DETAIL A

CLAMP LOCATION SHOWN ON ASSEMBLY DRAWING (CLAMP CABLE BEFORE ROUTING)

TIE SUBUNITS WITH LACING (REF)

CABLE ROUTING STEP 1

COMMSCOPE, INC.

© 2016 COMMSCOPE, INC. CONFIDENTIAL
 NOTICE: THESE DRAWINGS AND SPECIFICATIONS ARE THE PROPRIETARY PROPERTY OF COMMSCOPE, INC. AND MAY BE USED ONLY FOR THE SPECIFIC PURPOSE AUTHORIZED IN WRITING BY COMMSCOPE, INC.

TITLE: CONVERSION KIT, NGF-TB, 96/144, LEFT UP
 DRAWING NUMBER: 300001771867

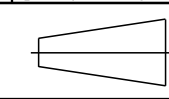
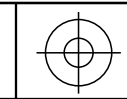
ALL DIMS AND TOLERANCES ARE INCHES UNLESS OTHERWISE SPECIFIED
 .XX:±N/A
 .XXX:±N/A
 ANGULAR:±N/A

C SIZE: C
 C REV: C

DO NOT SCALE DRAWING

ENGR: J. SOLHEID
 DWN: M. HOLMBERG

SHT. 3 OF 8



DIMENSIONS IN INCHES
THIRD ANGLE PROJECTION

A

B

C

1

2

3

4

1

2

3

4

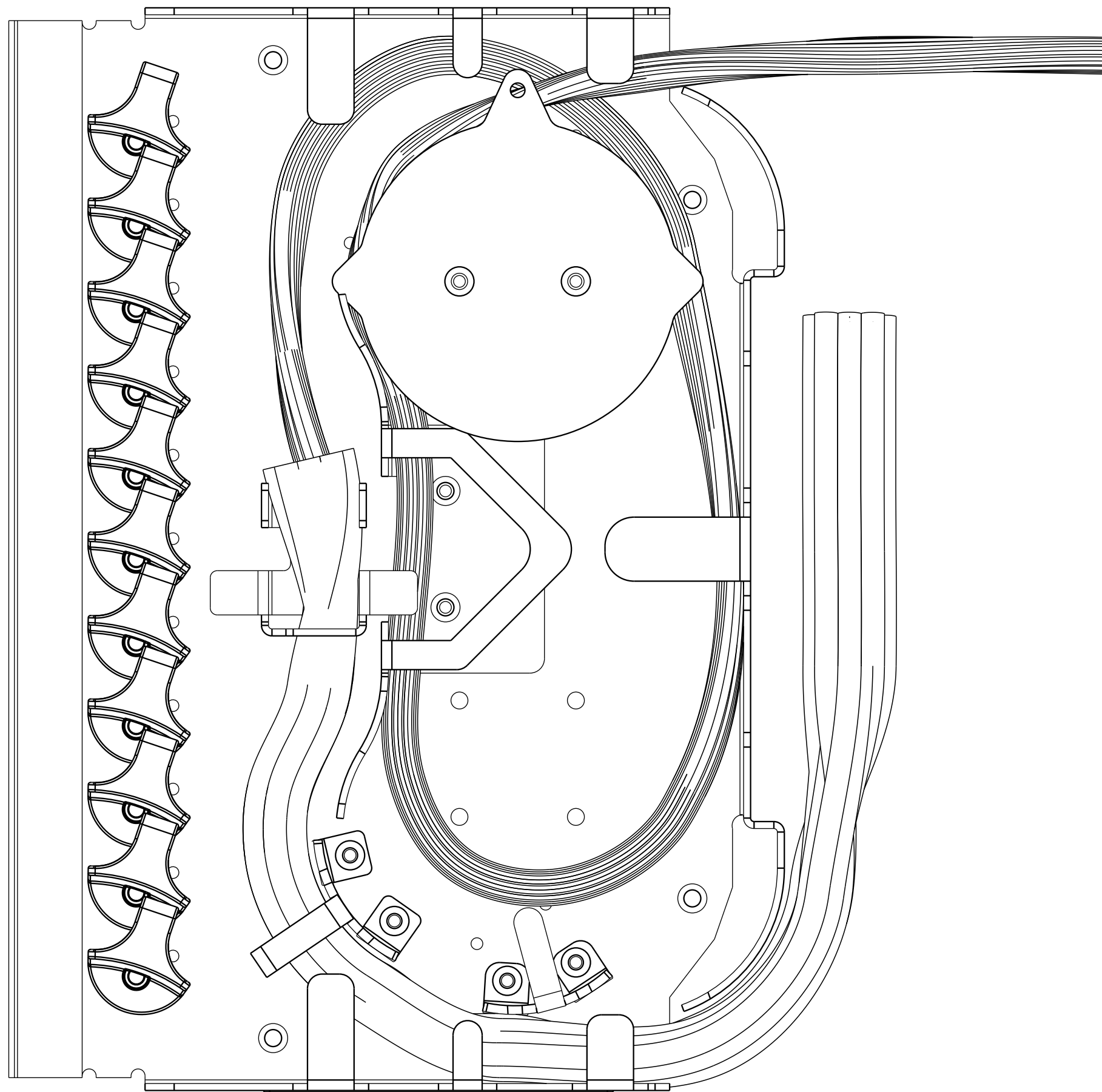
A

B

C

D

ROW 1
 ROW 2
 ROW 3
 ROW 4
 ROW 5
 ROW 6
 ROW 7
 ROW 8
 ROW 9
 ROW 10
 ROW 11
 ROW 12

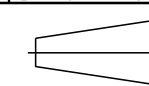
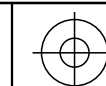


* ROUTE ALL FIBERS AROUND
 SPOOL AND OUT THE SIDE
 AS SHOWN. (LEAVE SLACK
 LOOP LONG)

CABLE ROUTING
 STEP 2

COMMSCOPE, INC.

<small>© 2016 COMMSCOPE, INC. CONFIDENTIAL NOTICE: THESE DRAWINGS AND SPECIFICATIONS ARE THE PROPRIETARY PROPERTY OF COMMSCOPE, INC. AND MAY BE USED ONLY FOR THE SPECIFIC PURPOSE AUTHORIZED IN WRITING BY COMMSCOPE, INC.</small>		TITLE CONVERSION KIT, NGF-TB, 96/144, LEFT UP	
<small>ALL DIMS AND TOLERANCES .XX:±N/A ARE INCHES UNLESS .XXX:±N/A OTHERWISE SPECIFIED ANGULAR:±N/A</small>	C SIZE	DRAWING NUMBER 300001771867	C REV
DO NOT SCALE DRAWING	ENGR: J. SOLHEID DWN: M. HOLMBERG	SHT. 4 OF 8	



**DIMENSIONS IN INCHES
 THIRD ANGLE PROJECTION**

A

B

C

D

ROW 1

ROW 2

ROW 3

ROW 4

ROW 5

ROW 6

ROW 7

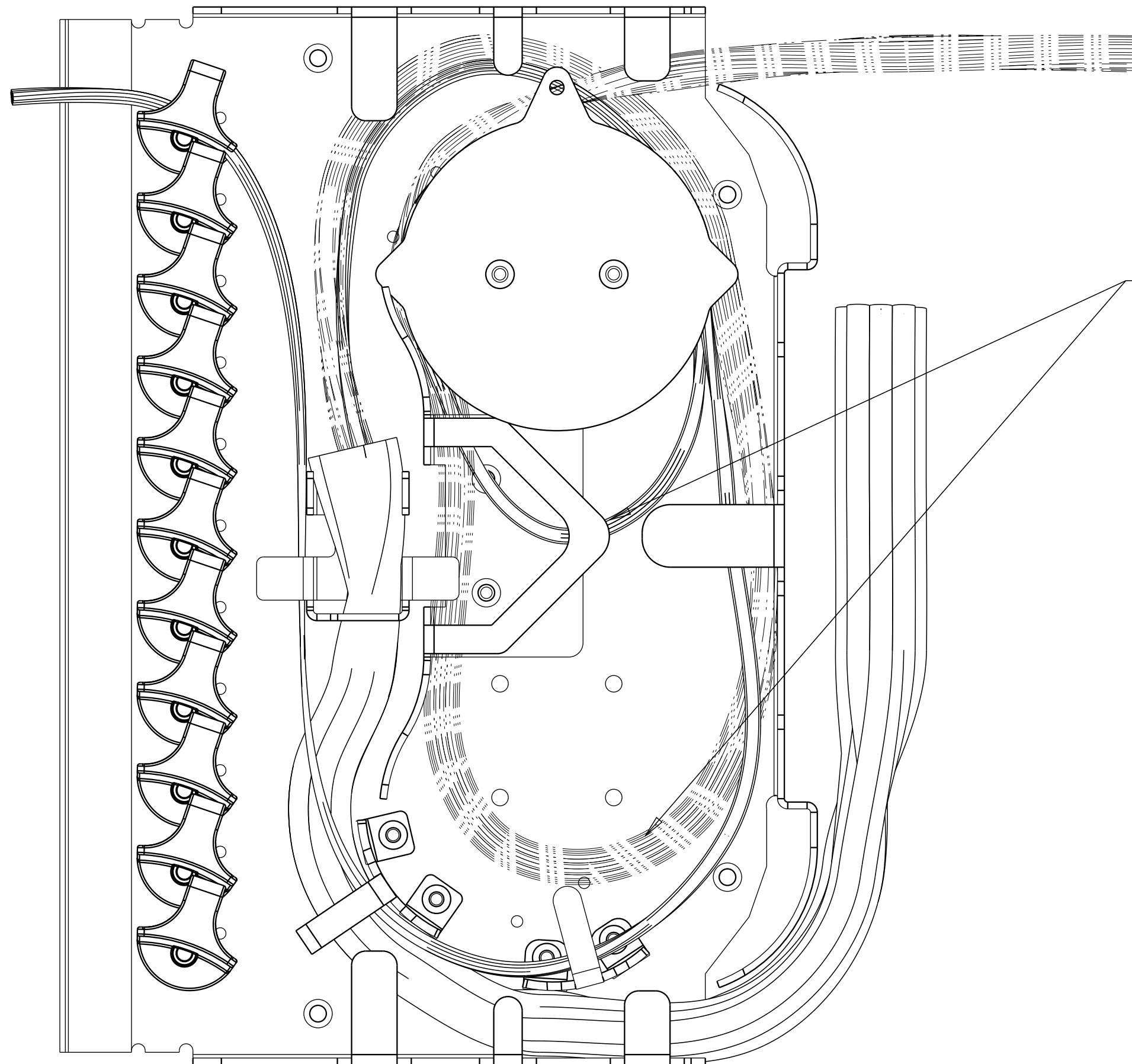
ROW 8

ROW 9

ROW 10

ROW 11

ROW 12



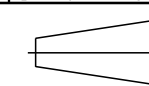
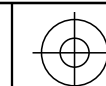
ADJUST SLACK LOOP
AS REQUIRED TO
ROUTE FIBERS

* START WITH ROW 1 SEE CONNECTION
TABLE (F/N 986) FOR CORRECT FIBERS.
ROUTE FIBERS AS SHOWN TO
ROW 1

CABLE ROUTING
STEP 3

COMMSCOPE, INC.

<small>© 2016 COMMSCOPE, INC. CONFIDENTIAL NOTICE: THESE DRAWINGS AND SPECIFICATIONS ARE THE PROPRIETARY PROPERTY OF COMMSCOPE, INC. AND MAY BE USED ONLY FOR THE SPECIFIC PURPOSE AUTHORIZED IN WRITING BY COMMSCOPE, INC.</small>		TITLE CONVERSION KIT, NGF-TB, 96/144, LEFT UP	
<small>ALL DIMS AND TOLERANCES .XX:±N/A ARE INCHES UNLESS .XXX:±N/A OTHERWISE SPECIFIED ANGULAR:±N/A</small>	C SIZE	DRAWING NUMBER 300001771867	C REV
DO NOT SCALE DRAWING	ENGR: J. SOLHEID DWN: M. HOLMBERG	SHT. 5 OF 8	



**DIMENSIONS IN INCHES
THIRD ANGLE PROJECTION**

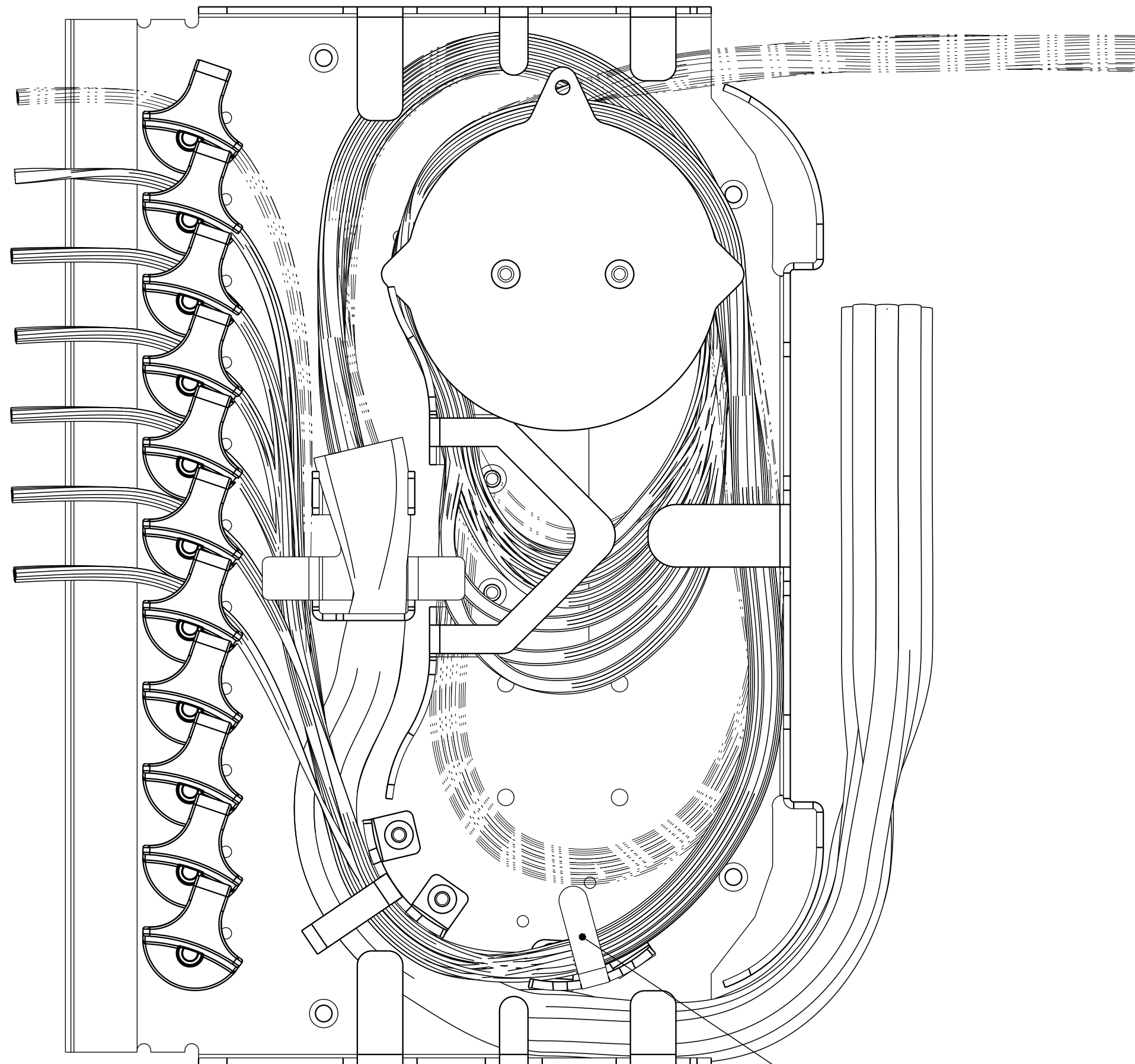
A

B

C

D

ROW 1
 ROW 2
 ROW 3
 ROW 4
 ROW 5
 ROW 6
 ROW 7
 ROW 8
 ROW 9
 ROW 10
 ROW 11
 ROW 12



NOTES:

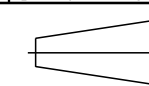
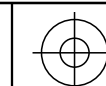
* ROUTE ROW 2 AS SHOWN.
 CONTINUE WITH ROWS 3, 4,
 5, 6, AND 7. SEE CONNECTION
 TABLE FOR CORRECT FIBERS.

ROWS 1-7 ROUTE TO THE
 INSIDE OF RADIUS LIMITER

CABLE ROUTING
 STEP 4

COMMSCOPE, INC.

<small>© 2016 COMMSCOPE, INC. CONFIDENTIAL NOTICE: THESE DRAWINGS AND SPECIFICATIONS ARE THE PROPRIETARY PROPERTY OF COMMSCOPE, INC. AND MAY BE USED ONLY FOR THE SPECIFIC PURPOSE AUTHORIZED IN WRITING BY COMMSCOPE, INC.</small>		TITLE CONVERSION KIT, NGF-TB, 96/144, LEFT UP	
<small>ALL DIMS AND TOLERANCES .XX:±N/A ARE INCHES UNLESS .XXX:±N/A OTHERWISE SPECIFIED ANGULAR:±N/A</small>	C SIZE	DRAWING NUMBER 300001771867	C REV
DO NOT SCALE DRAWING	ENGR: J. SOLHEID DWN: M. HOLMBERG	SHT. 6 OF 8	



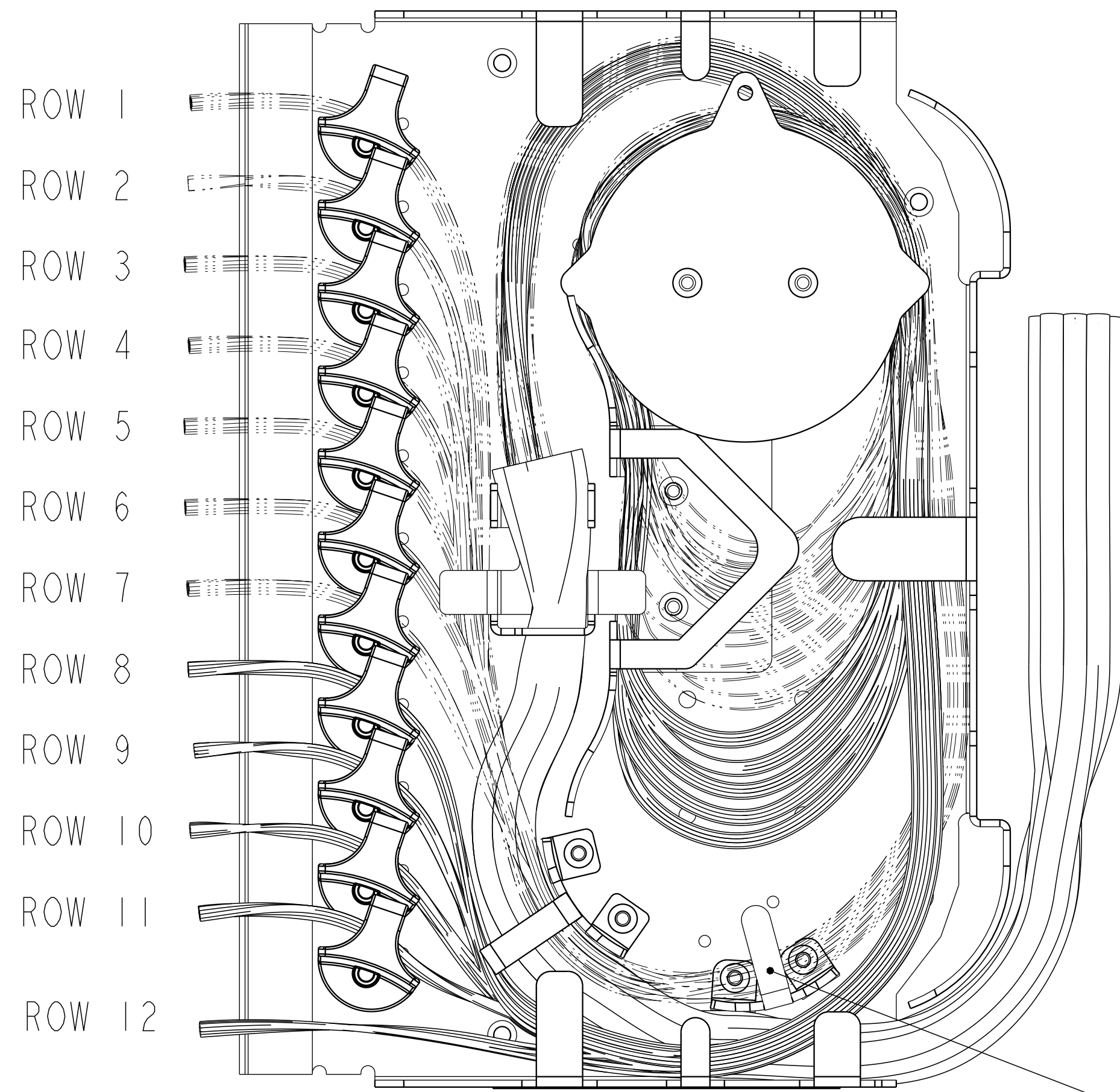
**DIMENSIONS IN INCHES
 THIRD ANGLE PROJECTION**

A

B

C

D



NOTES:

* ROUTE ROW 8 AS SHOWN
 CONTINUE WITH 9, 10, 11,
 AND 12. SEE CONNECTION TABLE
 FOR CORRECT FIBERS.

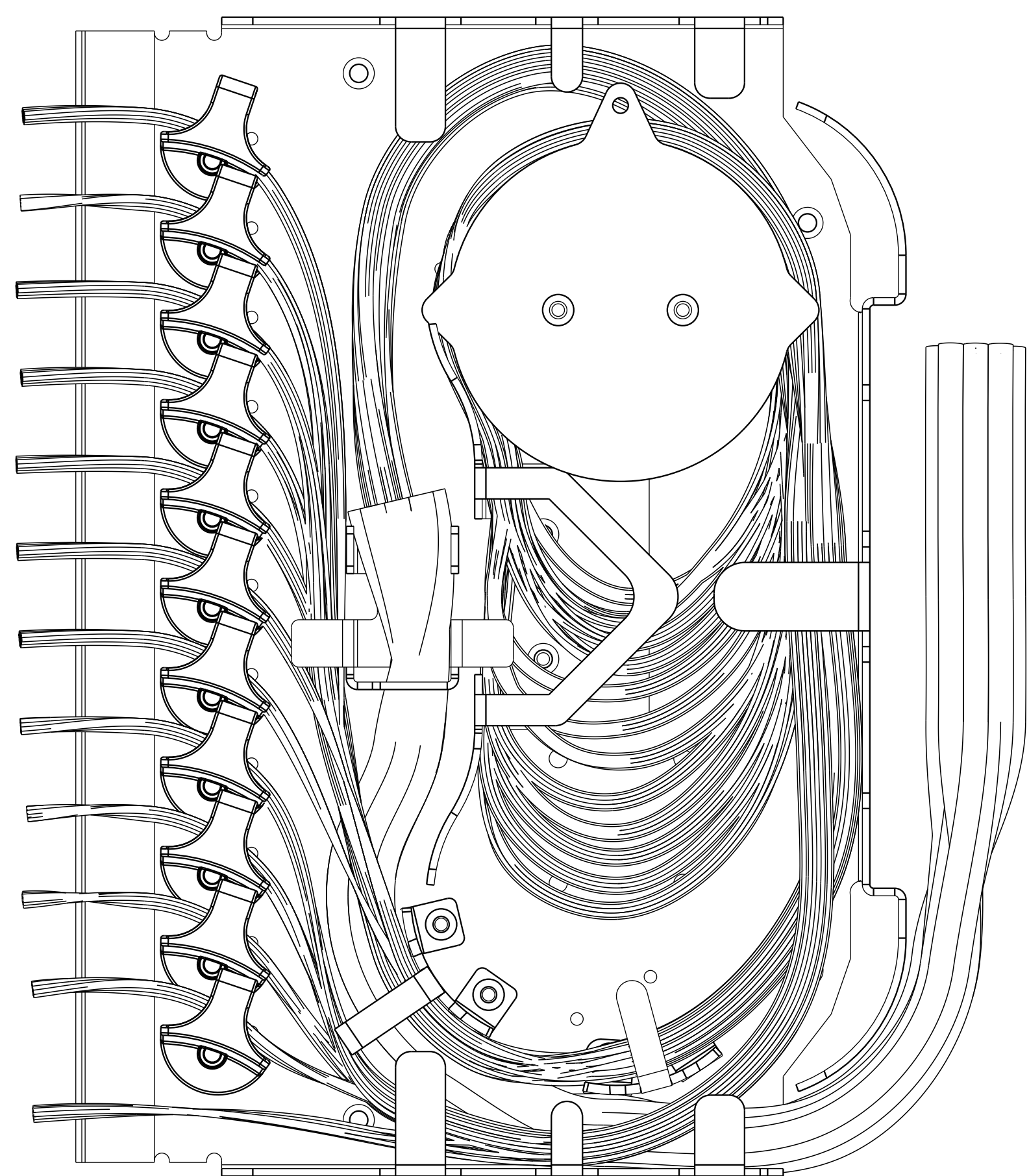
ROWS 8-12 ROUTE TO THE
 OUTSIDE OF RADIUS LIMITER

CABLE ROUTING
 STEP 5

COMMSCOPE, INC.

<small>© 2016 COMMSCOPE, INC. CONFIDENTIAL NOTICE: THESE DRAWINGS AND SPECIFICATIONS ARE THE PROPRIETARY PROPERTY OF COMMSCOPE, INC. AND MAY BE USED ONLY FOR THE SPECIFIC PURPOSE AUTHORIZED IN WRITING BY COMMSCOPE, INC.</small>		TITLE CONVERSION KIT, NGF-TB, 96/144, LEFT UP	
<small>ALL DIMS AND TOLERANCES .XX:±N/A ARE INCHES UNLESS .XXX:±N/A OTHERWISE SPECIFIED ANGULAR:±N/A</small>	C SIZE	DRAWING NUMBER 300001771867	C REV
DO NOT SCALE DRAWING	ENGR: J. SOLHEID DWN: M. HOLMBERG	SHT. 7 OF 8	

DIMENSIONS IN INCHES
 THIRD ANGLE PROJECTION



FINISHED CABLE ROUTING

NOTES:

- * AFTER INSTALLING CABLE, EXTEND ALL ADAPTER PACKS. ADJUST SLACK LOOP AS NECESSARY.
- * PUSH ADAPTER PACKS BACK IN, CHECK FIBER FOR BENDS. REDRESS FIBERS IF NECESSARY.

COMMSCOPE, INC.

<small>© 2016 COMMSCOPE, INC. CONFIDENTIAL NOTICE: THESE DRAWINGS AND SPECIFICATIONS ARE THE PROPRIETARY PROPERTY OF COMMSCOPE, INC. AND MAY BE USED ONLY FOR THE SPECIFIC PURPOSE AUTHORIZED IN WRITING BY COMMSCOPE, INC.</small>		TITLE CONVERSION KIT, NGF-TB, 96/144, LEFT UP	
<small>ALL DIMS AND TOLERANCES .XX:±N/A ARE INCHES UNLESS .XXX:±N/A OTHERWISE SPECIFIED ANGULAR:±N/A</small>	C SIZE	DRAWING NUMBER 300001771867	C REV
DO NOT SCALE DRAWING	ENGR: J. SOLHEID DWN: M. HOLMBERG	SHT. 8 OF 8	


 DIMENSIONS IN INCHES
 THIRD ANGLE PROJECTION