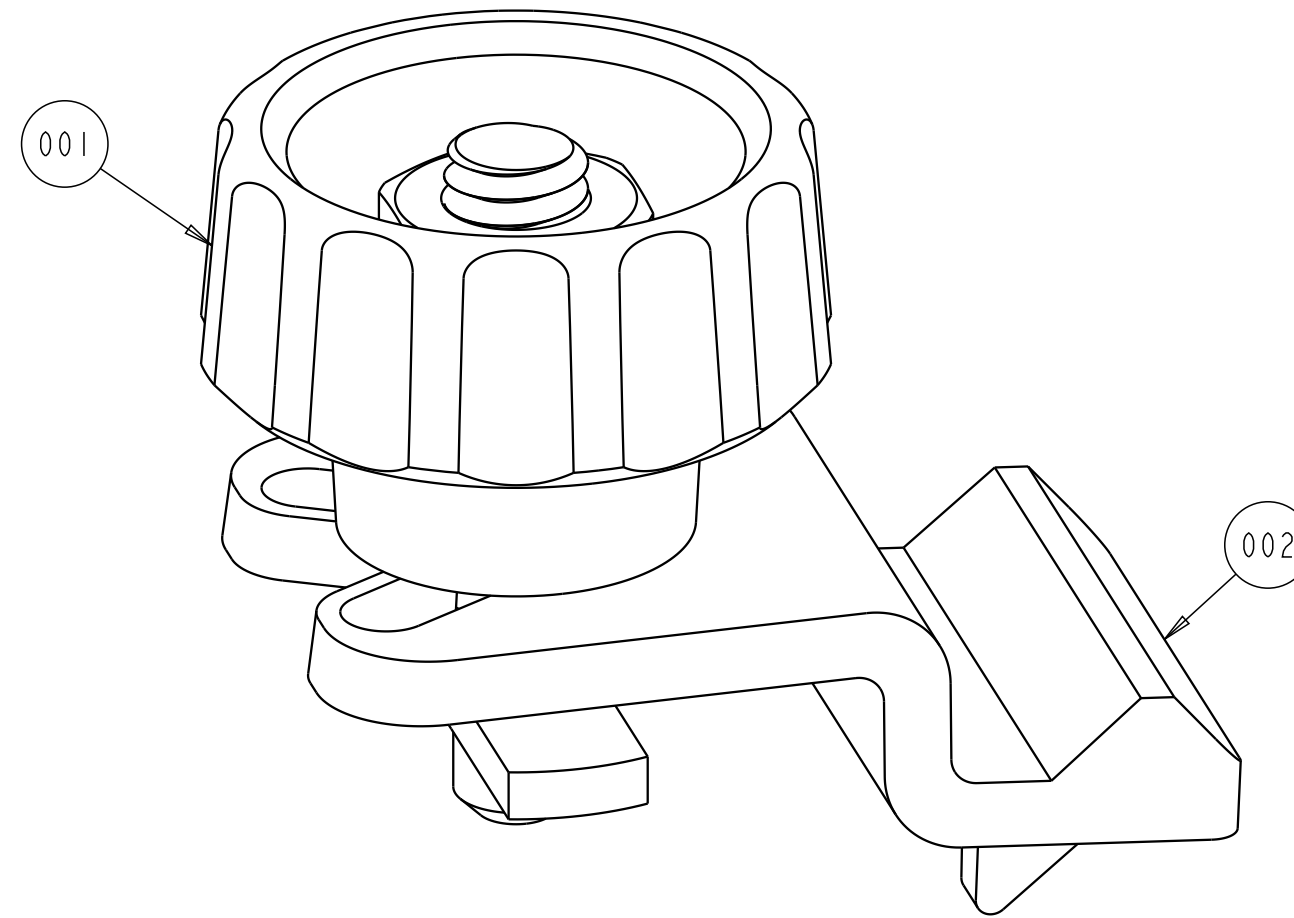


REV.	MCO	DWN	DATE
A	40019645MCO	OAVL	16-FEB-15
B	40032679MCO	IAV	04-AUG-16

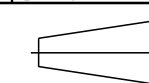
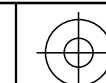
PARTS LIST		
F/N	QTY	DESCRIPTION
001	10	QUICK KNOB WITH T-BOLT
002	10	CLIP, SNAP-ON COVERS



**CATALOG NUMBER: FGS-KQKB**

**COMMSCOPE, INC.**

<small>© 2016 COMMSCOPE, INC. CONFIDENTIAL          NOTICE: THESE DRAWINGS AND SPECIFICATIONS ARE THE PROPRIETARY PROPERTY OF COMMSCOPE, INC. AND MAY BE USED ONLY FOR THE SPECIFIC PURPOSE AUTHORIZED IN WRITING BY COMMSCOPE, INC.</small>		TITLE	
<small>ALL DIMS AND TOLERANCES ARE INCHES UNLESS OTHERWISE SPECIFIED</small> .XX:±N/A .XXX:±N/A ANGULAR:±N/A	C SIZE	DRAWING NUMBER 300100108686	B REV
DO NOT SCALE DRAWING	ENGR: M FERRIS	SHT. 1 OF 1	
	DWN: M FERRIS		



**DIMENSIONS IN INCHES  
THIRD ANGLE PROJECTION**