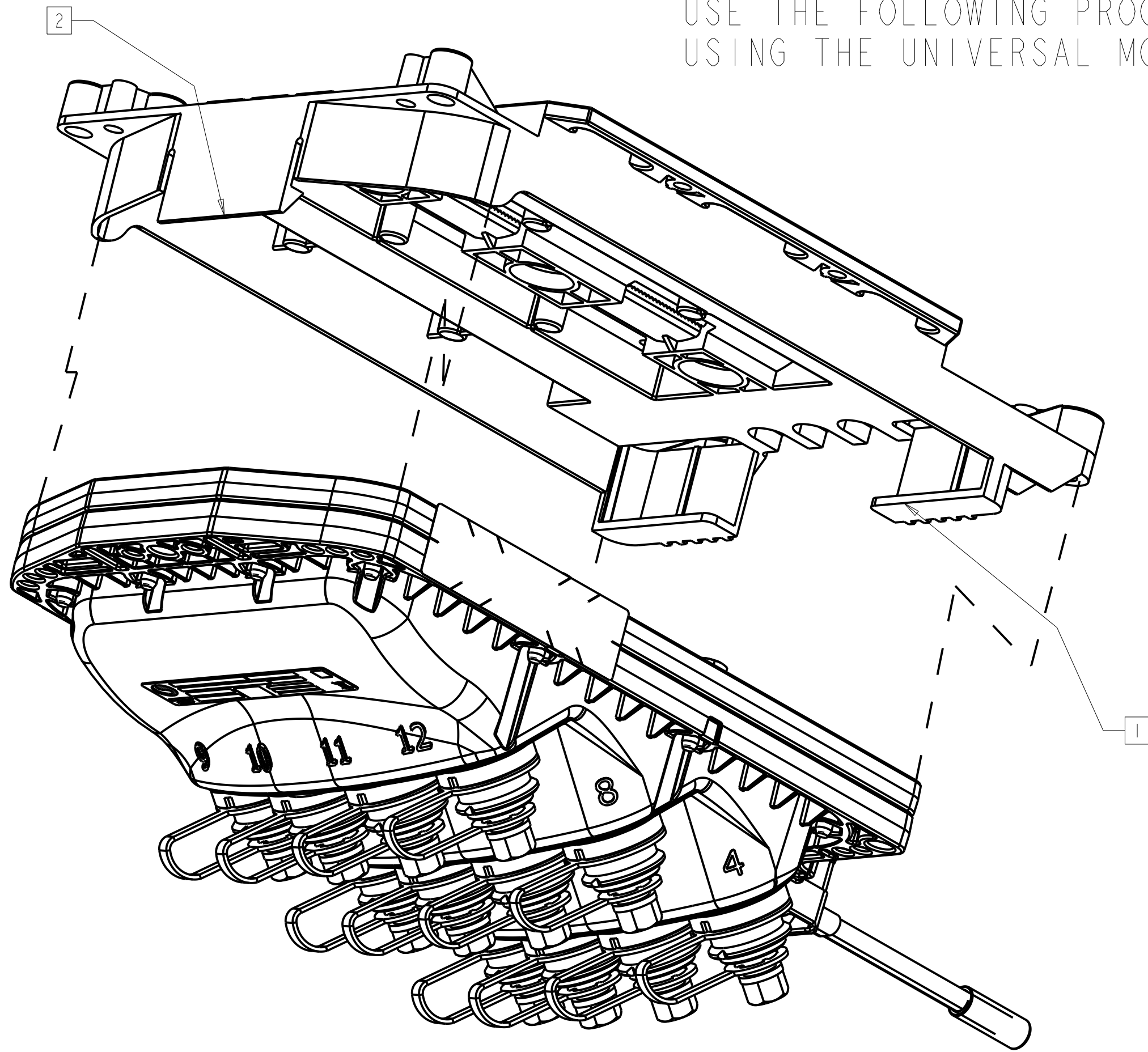
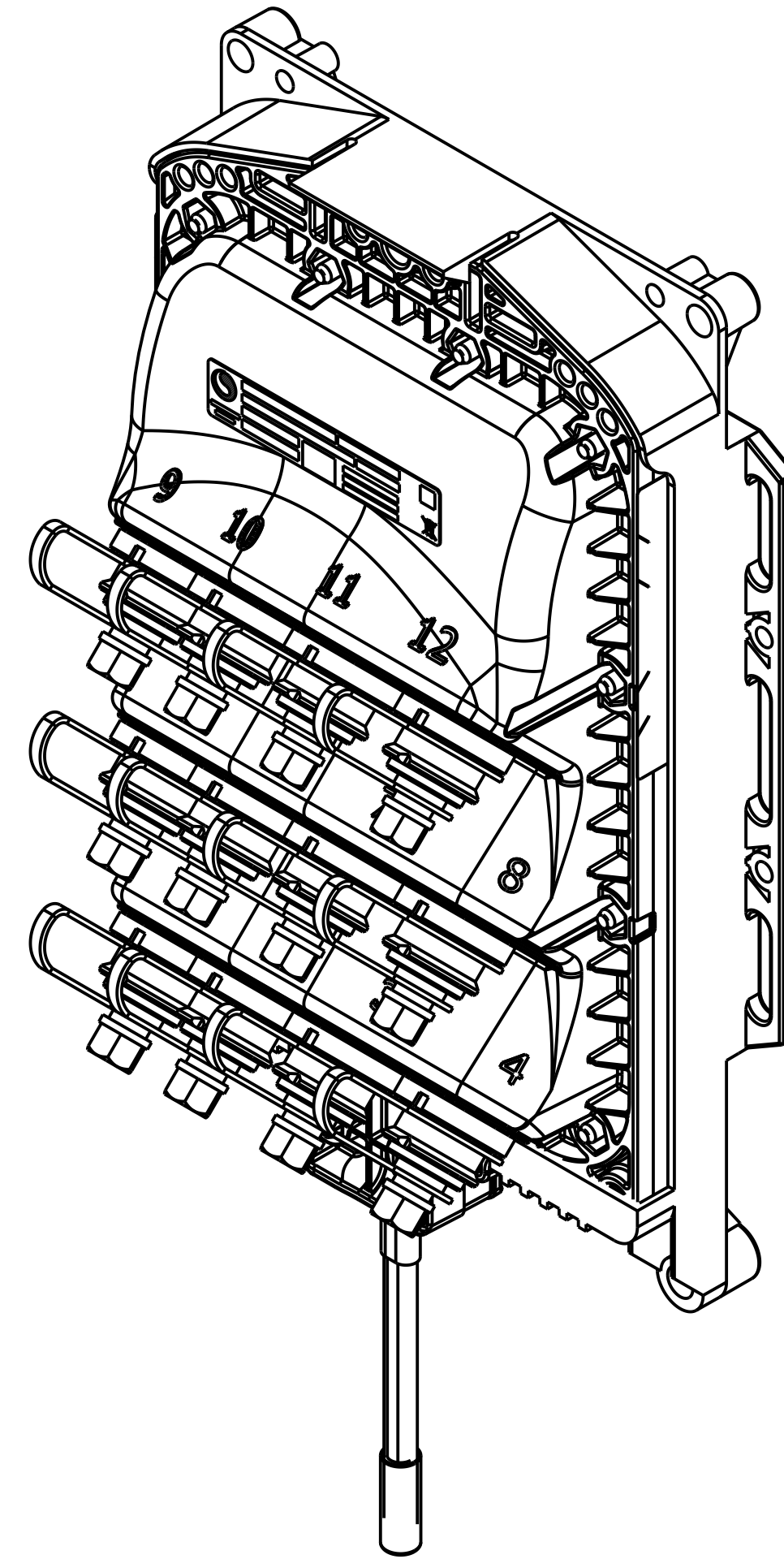


REV	MCO	DWN	DATE
A	40020564MCO	JGZV	18-MAR-15
B	8000019186	SC	23-JAN-17

USE THE FOLLOWING PROCEDURE TO STRAND
USING THE UNIVERSAL MOUNTING BRACKET (UMB)



EXPLODED VIEW, ONLY REFERENCE



ASSEMBLY VIEW REFERENCE

NOTES:

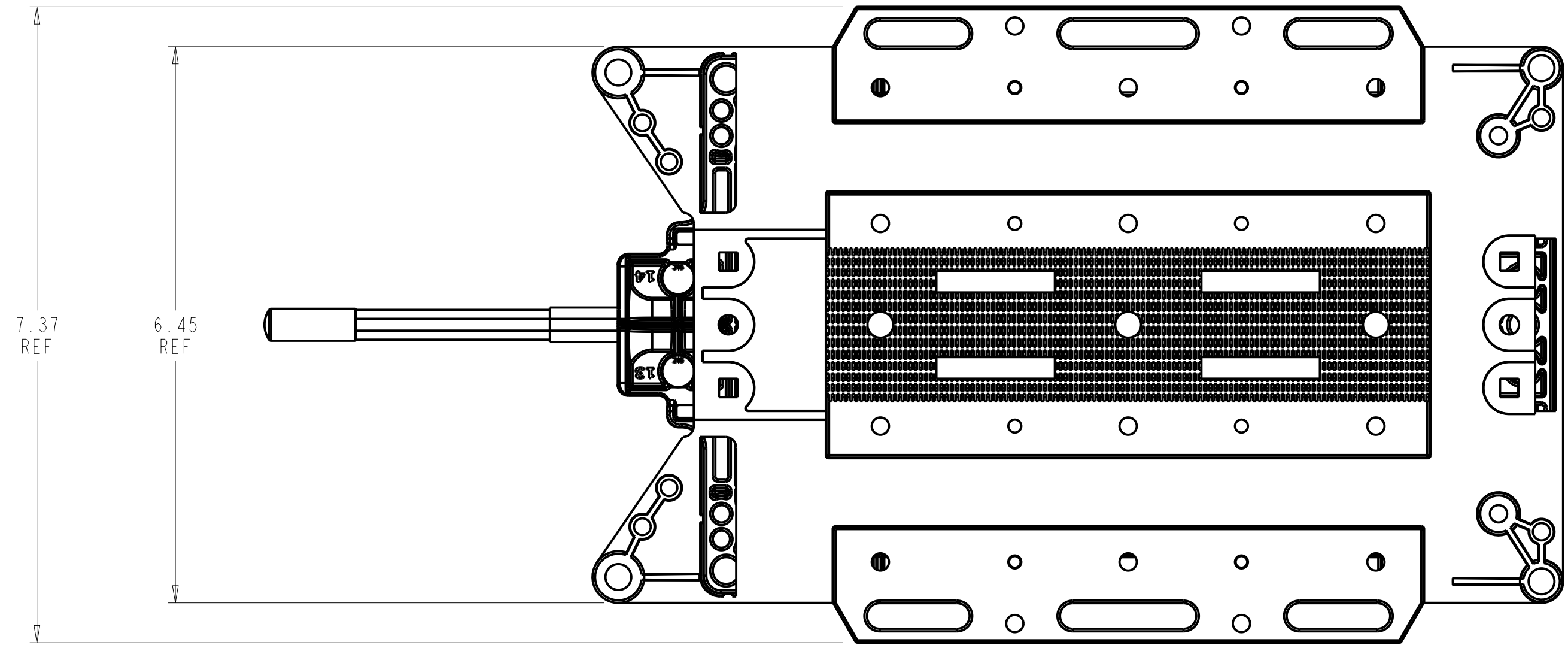
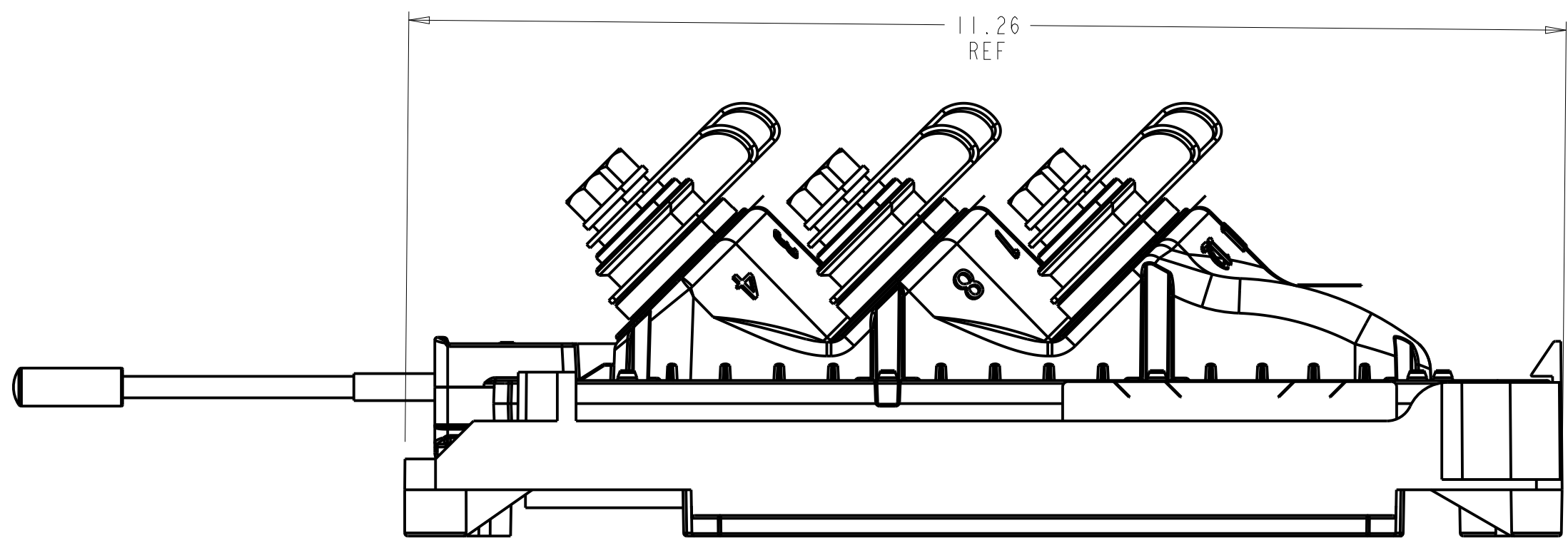
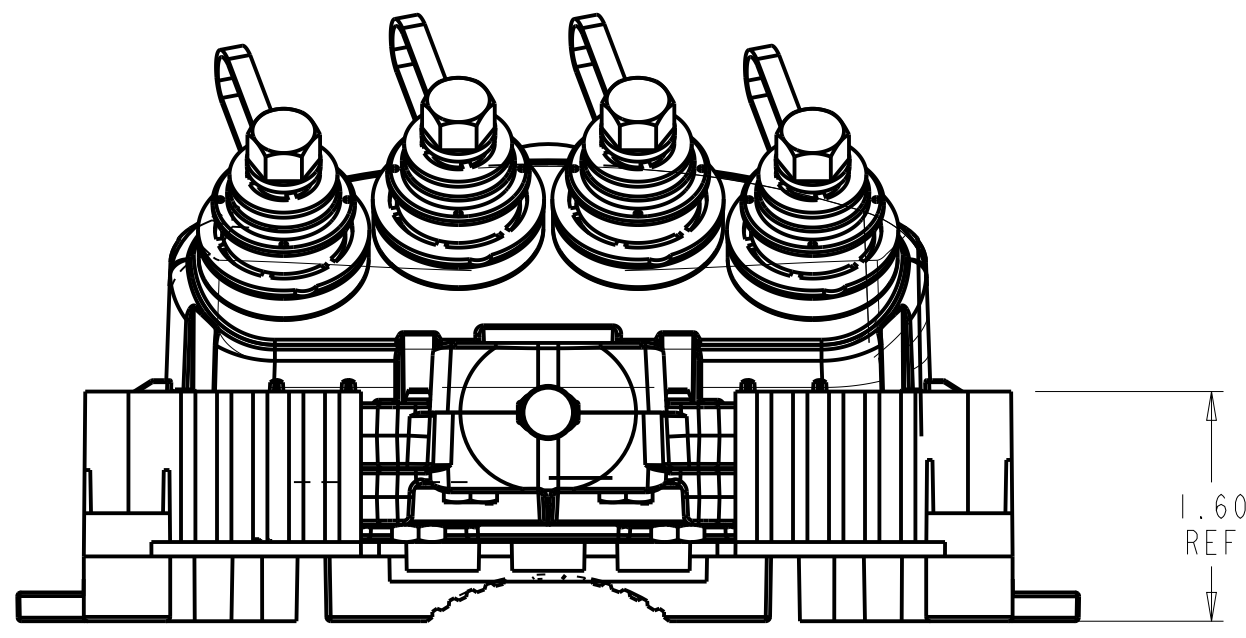
- 1 INSERT CABLE END OF MST INTO UMB AS SHOWN.
- 2 PUSH UPWARD ON FRONT OF MST UNTIL UMB LATCH SNAPS CLOSED.

COMMSCOPE, INC.

MST-UMB-4312
CATALOG

<small>© 2016 COMMSCOPE, INC. CONFIDENTIAL NOTICE: THESE DRAWINGS AND SPECIFICATIONS ARE THE PROPRIETARY PROPERTY OF COMMSCOPE, INC. AND MAY BE USED ONLY FOR THE SPECIFIC PURPOSE AUTHORIZED IN WRITING BY COMMSCOPE, INC.</small>		TITLE INSTALLATION DRAWING BRKT 4X3 PORT	
<small>ALL DIMS AND TOLERANCES ARE INCHES UNLESS OTHERWISE SPECIFIED</small>	<small>.XX:±N/A .XXX:±N/A ANGULAR:±N/A</small>	C SIZE DRAWING NUMBER 300100109518	B REV
DO NOT SCALE DRAWING		ENGR: MIGUEL GUTIERREZ DWN: ASIEL VAZQUEZ	SHT. 1 OF 2

DIMENSIONS IN INCHES
THIRD ANGLE PROJECTION



COMMSCOPE, INC.

© 2016 COMMSCOPE, INC. CONFIDENTIAL
 NOTICE: THESE DRAWINGS AND SPECIFICATIONS
 ARE THE PROPRIETARY PROPERTY OF
 COMMSCOPE, INC. AND MAY BE USED ONLY FOR THE
 SPECIFIC PURPOSE AUTHORIZED IN WRITING BY
 COMMSCOPE, INC.

TITLE
 INSTALLATION DRAWING
 BRKT 4X3 PORT

ALL DIMS AND TOLERANCES .XX:±N/A
 ARE INCHES UNLESS .XXX:±N/A
 OTHERWISE SPECIFIED ANGULAR:±N/A

C SIZE DRAWING NUMBER
 B REV
 300100109518

DO NOT SCALE DRAWING

ENGR: MIGUEL GUTIERREZ
 DWN: ASIEL VAZQUEZ

SHT. 2 OF 2

DIMENSIONS IN INCHES
 THIRD ANGLE PROJECTION