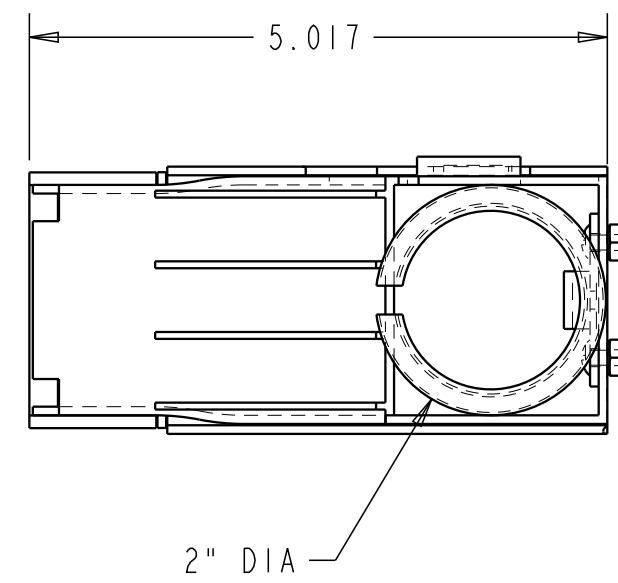
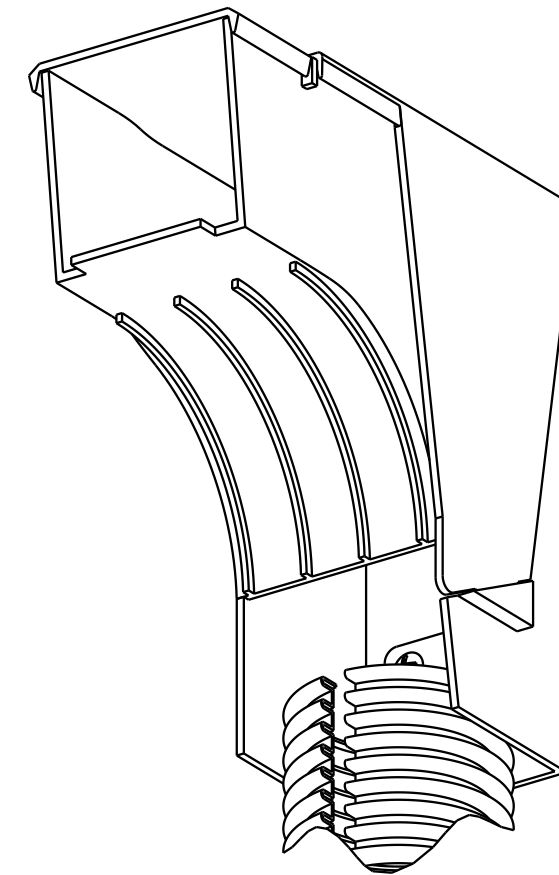
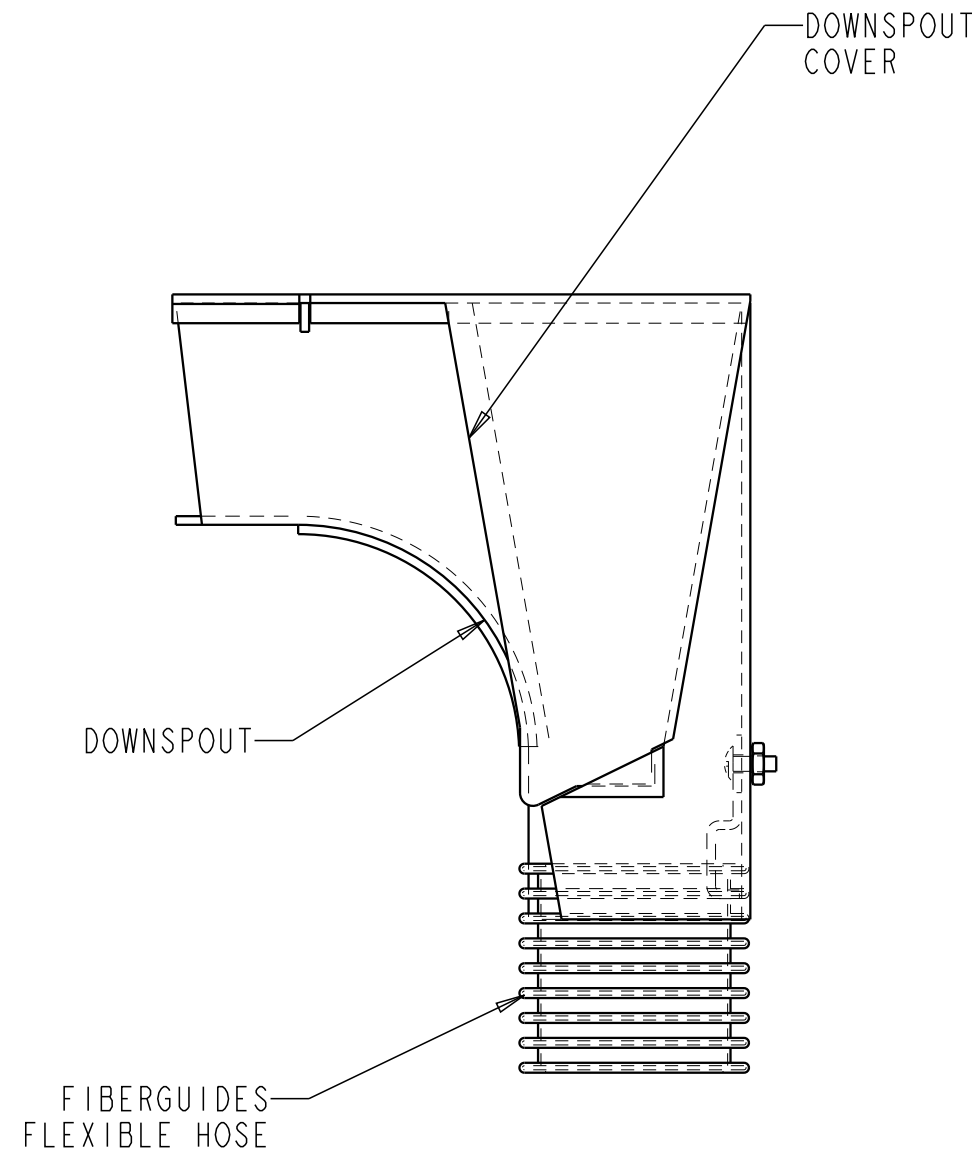
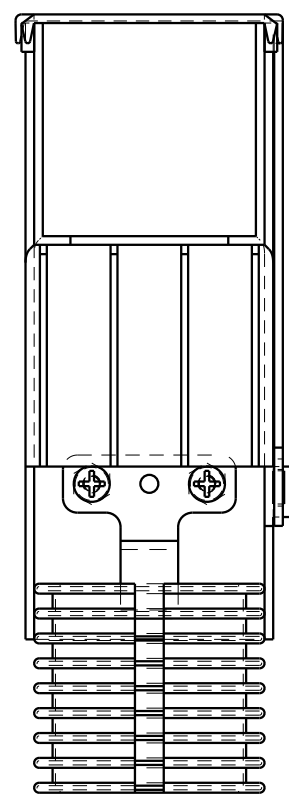


REV.	MCO	DWN	DATE
D	20261832	JSL	31-MAR-09
E	40031893MCO	OAVL	30-JUN-16



FGSB-KDH5-C	5 FT	BLACK
FGSB-KDH2-C	2 FT	BLACK
FGS-KDH2-C	2 FT	YELLOW
FGS-KDH5-C	5 FT	YELLOW
CATALOG NO.	LENGTH HOSE	COLOR

© 2016 COMMSCOPE, INC. CONFIDENTIAL
 NOTICE: THESE DRAWINGS AND SPECIFICATIONS
 ARE THE PROPRIETARY PROPERTY OF
 COMMSCOPE, INC. AND MAY BE USED ONLY FOR THE
 SPECIFIC PURPOSE AUTHORIZED IN WRITING BY
 COMMSCOPE, INC.

ALL DIMS AND TOLERANCES .XX:±REF
 ARE INCHES UNLESS .XXX:±REF
 OTHERWISE SPECIFIED ANGULAR:±REF

COMMSCOPE, INC.

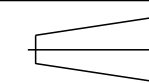
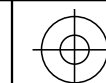
DO NOT SCALE DRAWING

ENGR: ROY HENNEBERGER
 DWN: T. REDMANN

TITLE FIBERGUIDES
 DOWNSPOUT W/HOSE
 (INSTALLATION DRAWING)

DRAWING NUMBER
 4-29000-3241

SHT. 1 OF 1



DIMENSIONS IN INCHES
 THIRD ANGLE PROJECTION