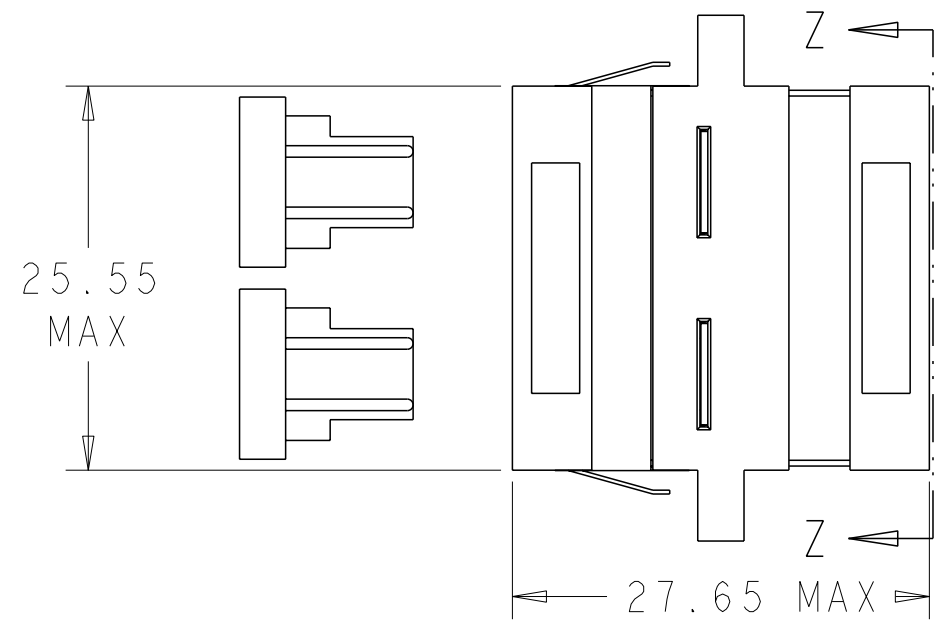
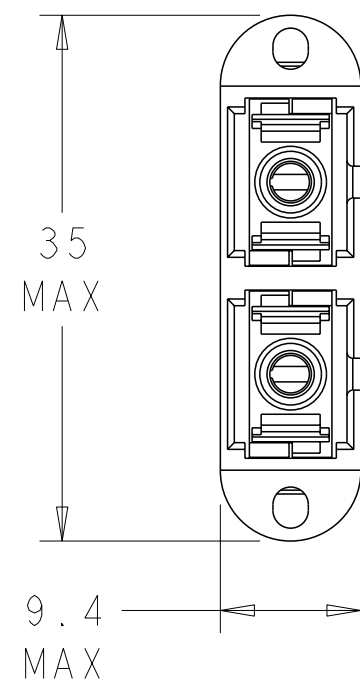
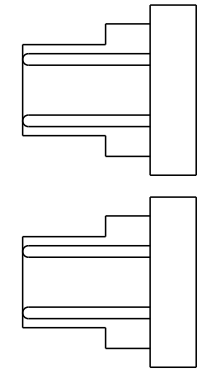


THIS DRAWING IS UNPUBLISHED. RELEASED FOR PUBLICATION 20
 © 2016 COMMSCOPE INC. CONFIDENTIAL NOTICE: THESE DRAWINGS AND SPECIFICATIONS ARE THE PROPRIETARY PROPERTY OF COMMSCOPE, INC. AND MAY BE USED ONLY FOR THE SPECIFIC PURPOSE AUTHORIZED IN WRITING BY COMMSCOPE, INC.

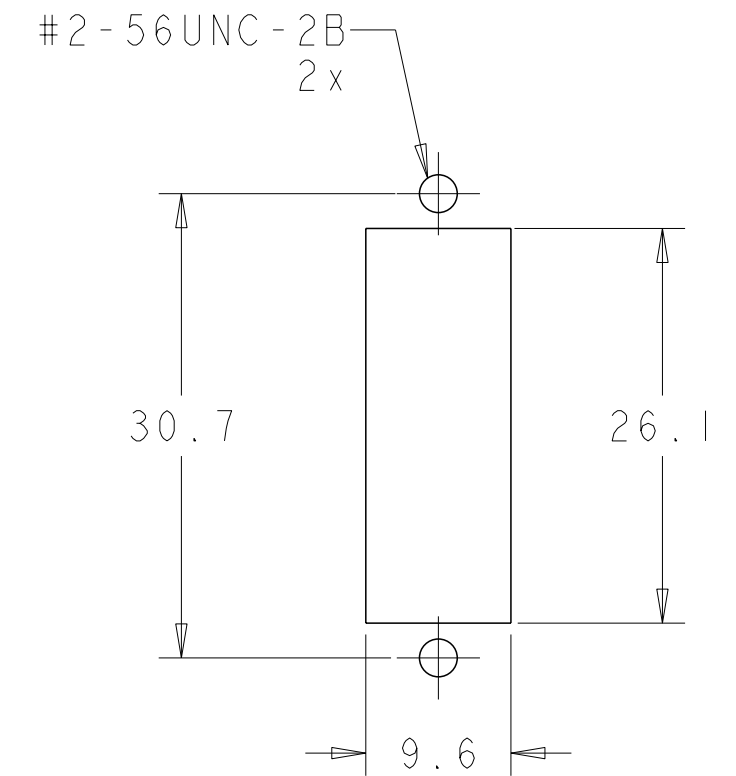
REVISIONS				
P	LTR	DESCRIPTION	DATE	APVD
	D	REV; 40033035MCO	22AUG2016	GG TE



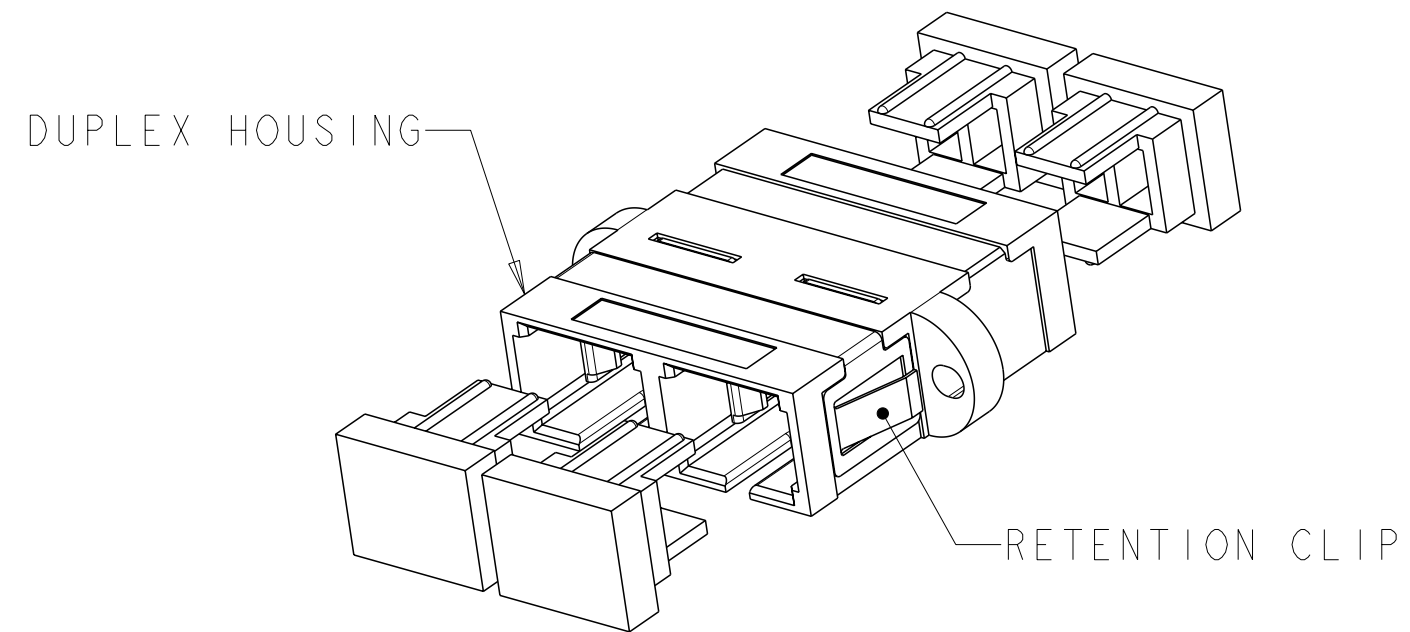
SCALE 2:1



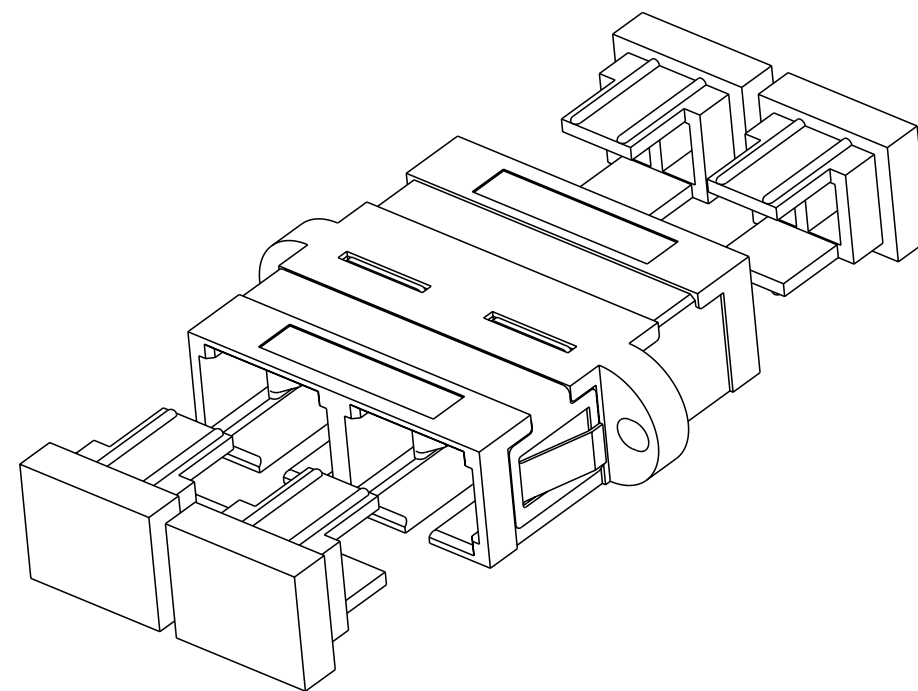
SECTION Z-Z



SCALE 2:1
 SUGGESTED PANEL CUTOUT
 MAX PANEL THICKNESS 1.7



5504640-1/-2/-3/-4/-5/-6
 (WITHOUT TE LOGO)



5504640-7/-8
 (WITH TE LOGO)

1 MATERIAL:
 HOUSING: PBT-GF30, SEE DASH NUMBERS FOR COLOR.*
 RETAINER: PEI-GF30, COLOR: BLACK.*
 RETENTION CLIP: STAINLESS STEEL.
 ALIGNMENT SLEEVE: METAL.
 PROTECTIVE COVER: TPE, COLOR: BLACK.*
 *UL94 V-0 RATED AT QUALIFYING THICKNESS.

2 BULK PACKAGE.

NONE	LT. ALMOND	5504640-8
RETENTION CLIP	BEIGE	5504640-7
RETENTION CLIP	AQUA	5504640-6
RETENTION CLIP	BLACK	5504640-4
NONE	LT ALMOND	5504640-3
RETENTION CLIP	BEIGE	5504640-2
RETENTION CLIP	BEIGE	5504640-1
INCLUDED HARDWARE	COLOR	PART NUMBER

DIMENSIONS:		TOLERANCES UNLESS OTHERWISE SPECIFIED:		DWN		CHK		APVD		NAME	
mm		0 PLC	±	B. BRIGGS	16MAY2005	S. MILLER	16MAY2005	S. BUCHTER	16MAY2005	COMMSCOPE, INC.	
		1 PLC	±0.1	PRODUCT SPEC		APPLICATION SPEC		WEIGHT		RECEPTACLE ASSEMBLY, DUPLEX, SC TO SC, MULTIMODE	
		2 PLC	±0.05	-		-		-		SIZE	CAGE CODE
		3 PLC	±	-		-		-		A2	00779
		4 PLC	±	-		-		-		DRAWING NO	RESTRICTED TO
		ANGLES	±	-		-		-		C=5504640	-
		FINISH	-	-		-		-		SCALE	SHEET
			-	-		-		-		4:1	1 OF 1
			-	-		-		-		REV	D
			-	-		-		-			