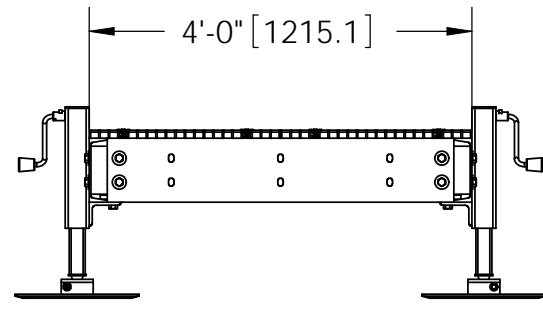
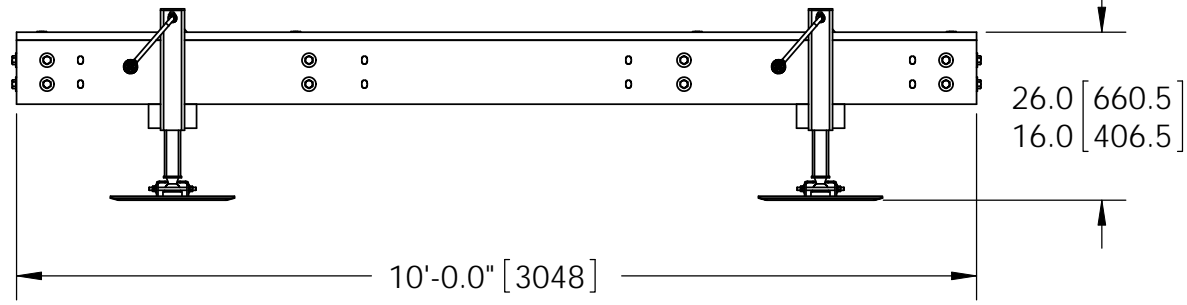
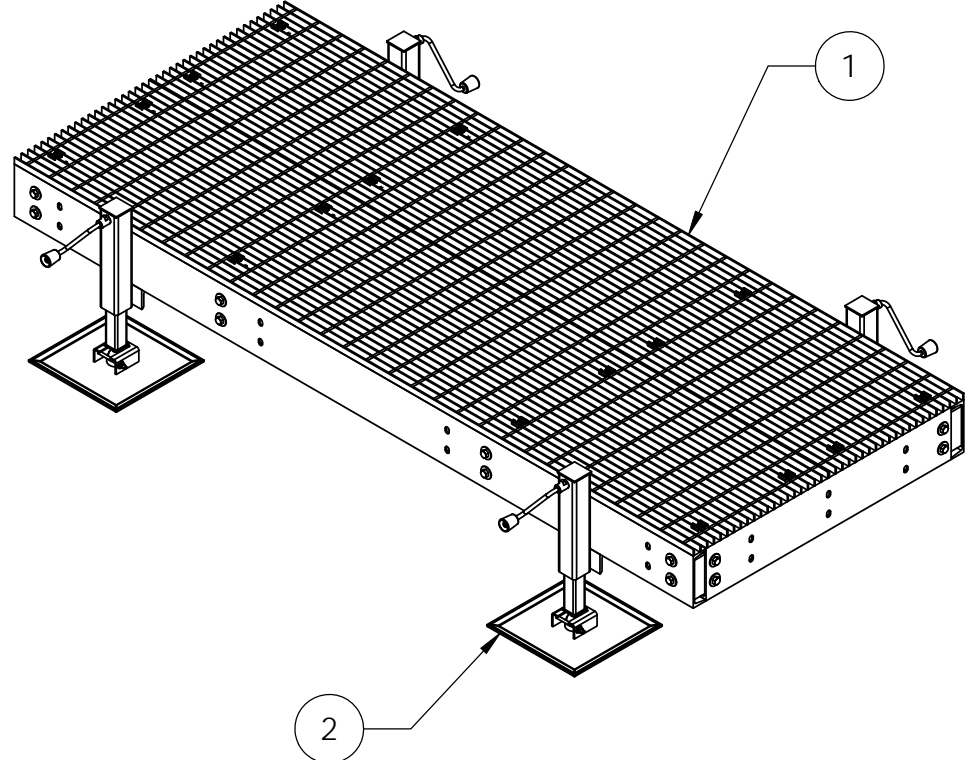
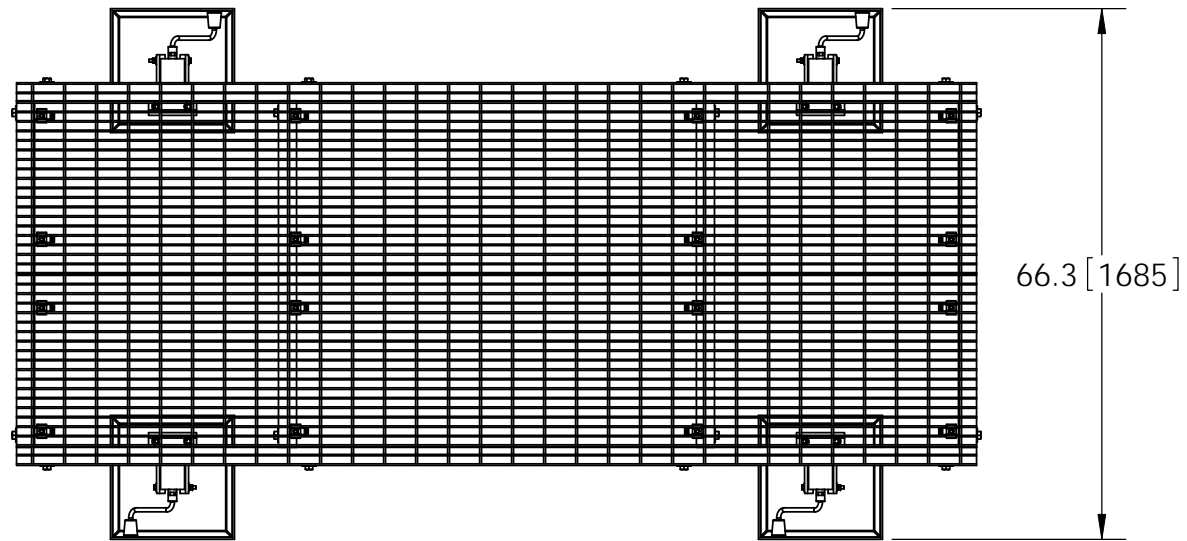


ITEM	PART NO.	DESCRIPTION	QTY.	WEIGHT
1	EQ-P0410-B	4' x 10' Equipment Platform Base	1	751.80 LBS
2	EQ-P-AL	ADJUSTABLE LEG KIT FOR EQ-P SERIES	4	56 LBS

REVISIONS				
REV.	ZONE	DESCRIPTION	BY	DATE
A		INITIAL RELEASE	DRR	08/31/11



NOTES:
1. ALL METRIC DIMENSIONS ARE IN BRACKETS.

<p>These drawings and specifications are the proprietary property of CommScope Inc. and may be used only for the specific purpose authorized in writing by CommScope Inc.</p> <p>ALL DIMENSIONS ARE IN INCHES U.O.S. TOLERANCES UNLESS OTHERWISE SPECIFIED: .X = ± .12 ANGLES ±2° .XX = ± .06 FRACTIONS ±1/32 .XXX = ± .031</p> <p>REMOVE BURRS AND BREAK EDGES .005</p> <p>DO NOT SCALE THIS PRINT</p>	DRAWN BY: DRR	SHEET: 1 of 1	PART NUMBER: EQ-P0410-AL
	CHECKED BY: TP	SCALE: NTS	DESCRIPTION: 4' X 10' BASE WITH 4 ADJUSTABLE LEGS
	DATE: 08/31/11	MATERIAL: A572, A568	DRAWING TYPE: ASSEMBLY DRAWING
	REVISION: A	FINISH: GALV A123	WEIGHT: 931.87 LBS