

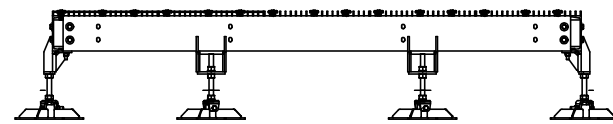
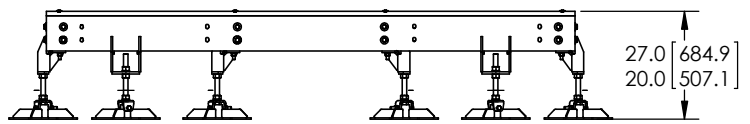
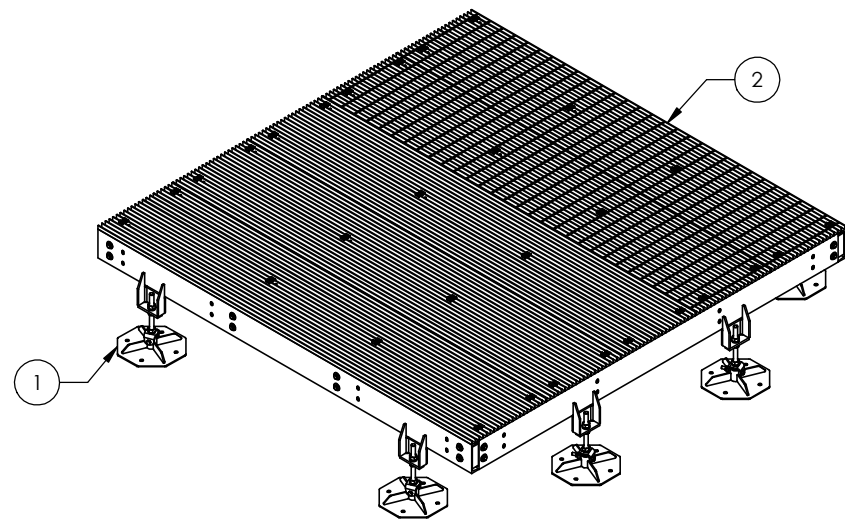
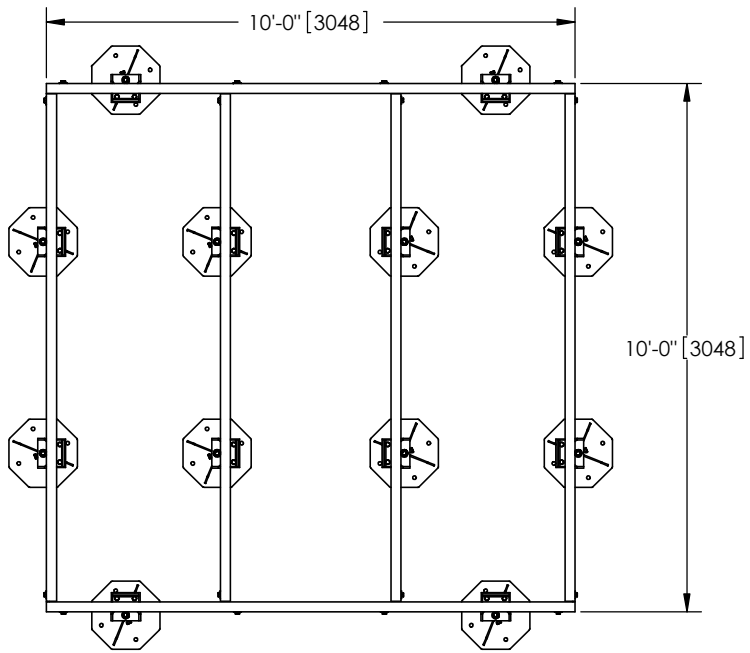
ITEM	PART NO.	DESCRIPTION	QTY.	WEIGHT
1	EQ-P-DF	EQUIPMENT PLATFORM DISPLACEMENT FOOT	12	37.73 LBS
2	EQ-P1010-B	10' X 10' EQUIPMENT PLATFORM BASE	1	0.00 LBS




REVISIONS				
REV.	ECN	DESCRIPTION	BY	DATE
A		INITIAL RELEASE	ACG	02/13/03
B		UPDATE FOOTPADS	ACG	12/29/03
C		UPDATE FOOTPADS	ACG	01/30/04
D		UPDATE FOOTPADS TO REV C	ACG	02/13/06
F		UPDATE BASE PLATFORM WEIGHT	ACG	02/06/07
G	8000016300	UPDATED EQ-P-DF TO ADD HOLES	DRR	09/27/16
H	8000025131	UPDATED EQ-P-DF DESIGN	DRR	07/25/17

D
C
B
A

D
C
B
A



<small>These drawings and specifications are the proprietary property of ANDREW CORPORATION and may be used only for the specific purpose authorized in writing by Andrew Corporation.</small>		DRAWN BY: ACG CHECKED BY: TP DATE: 12/01/05 REVISION: H	SHEET: 1 of 1 SCALE: NTS MATERIAL: A36, A568 FINISH: GALV A123 WEIGHT: 0.00 LBS	PART NUMBER: EQ-P1010-DF DESCRIPTION: 10' X 10' EQUIPMENT PLATFORM w/ 12 LEGS DRAWING TYPE: ASSEMBLY DRAWING  ORLAND PARK, IL 60462 U.S.A.
--	--	--	---	--

NOTES:
1. ALL METRIC DIMENSIONS ARE IN BRACKETS.

8 7 6 5 4 3 2 1