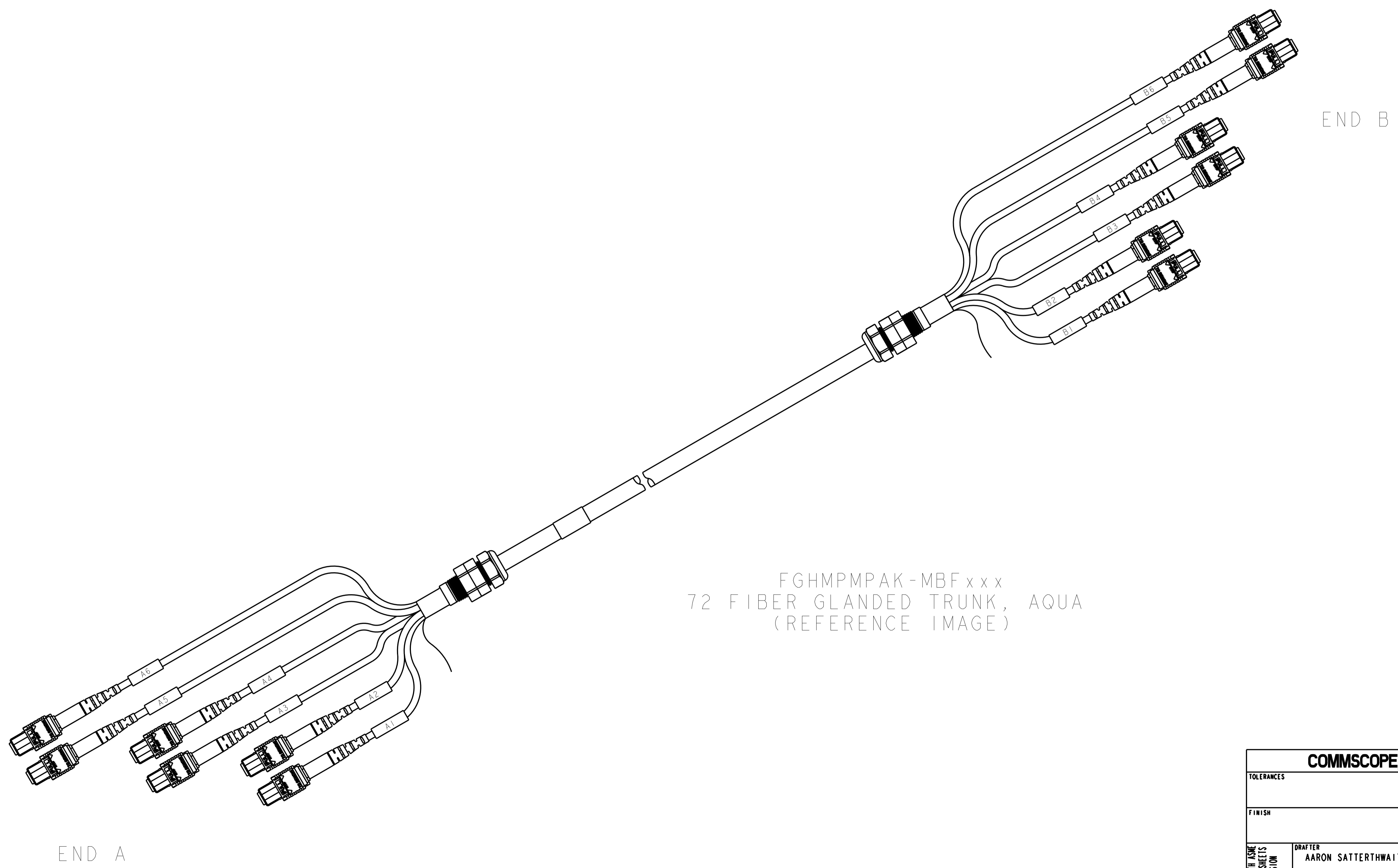


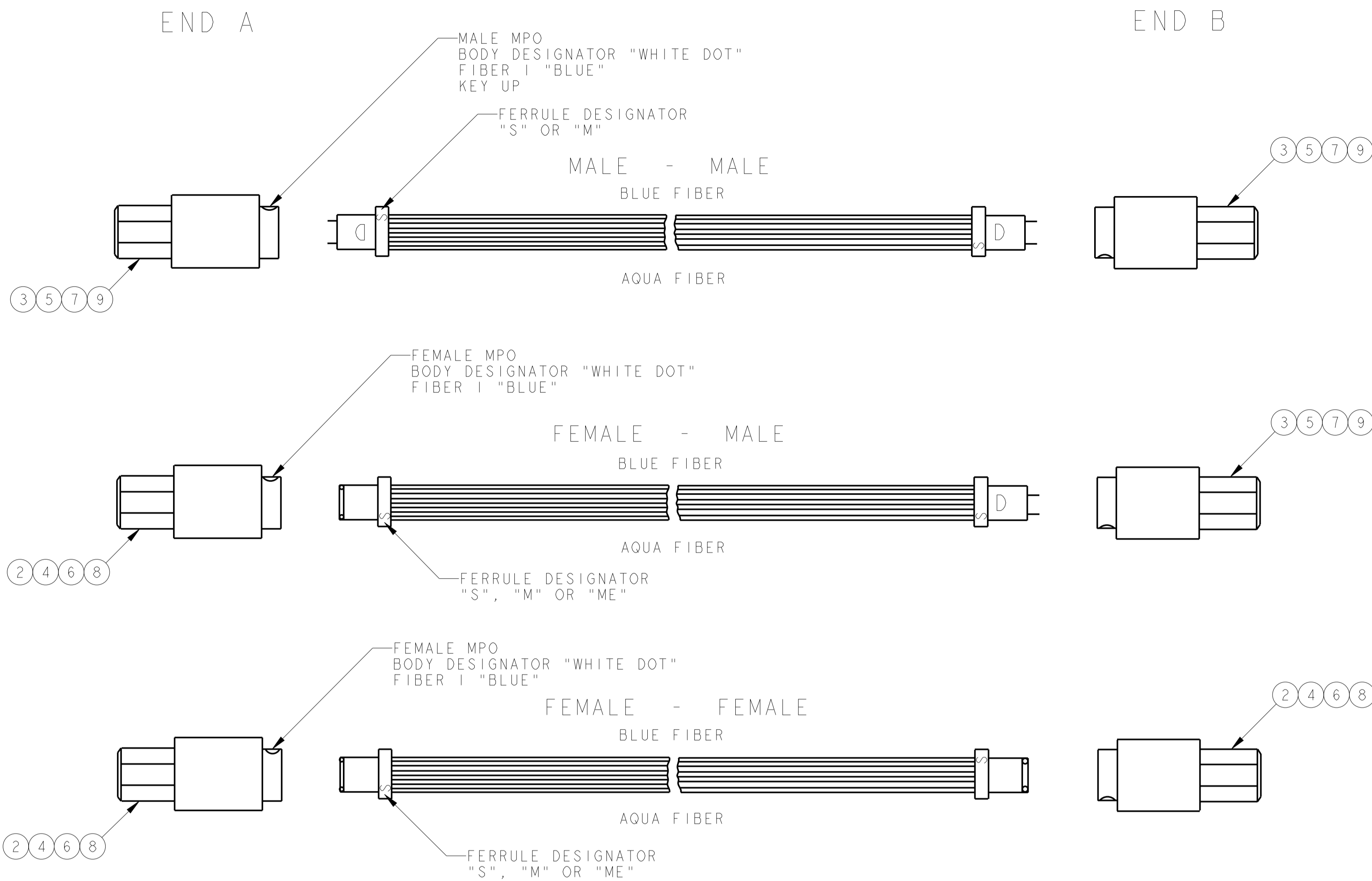
| REVISIONS | | | |
|-----------|-------------|-------------|----------|
| REV | DESCRIPTION | DATE | APPROVED |
| B | | 18-SEP-2015 | |

| | | | | | | | | | | |
|-------------------|---|---|---|---|---|--|---|---|---|--|
| F FIBER | a FAMILY G=TRUNK, PLENUM INSTAPATCH J=TRUNK, LSZH INSTAPATCH Y=TRUNK, PLENUM READYPATCH | b FIBER TYPE H=LAZRSPEED 150 MULTIMODE Z=LAZRSPEED 300 MULTIMODE X=LAZRSPEED 550 MULTIMODE M=OPTISPEED MULTIMODE W=TERASPEED SINGLEMODE U=LAZRSPEED WB 300 V=LAZRSPEED WB 550 | cc TERMINATION END A MP=MPO(FEMALE) MX=MPO(MALE) | dd TERMINATION END B MP=MPO(FEMALE) MX=MPO(MALE) UC=UNCONNECTORIZED | e CONSTRUCTION A=12 FIBER PmP D=12 FIBER PmP I/O P=12 FIBER PmP (PVDF) | f FIBER COUNT D= 12 FIBER F= 24 FIBER G= 36 FIBER H= 48 FIBER K= 72 FIBER L= 96 FIBER M=144 FIBER | g COLOR A=BLUE B=ORANGE C=GREEN D=BROWN E=SLATE F=WHITE G=RED H=BLACK J=YELLOW K=VIOLET L=ROSE M=AQUA N=LIME GREEN | h OPTIONS A=NO GLAND B=WITH GLAND C=WITH PULLING EYE | j UNIT OF MEASURE F= FEET M= METER | kkk LENGTH FEET 010 - 999 METERS 003 - 999 |
|-------------------|---|---|---|---|---|--|---|---|---|--|

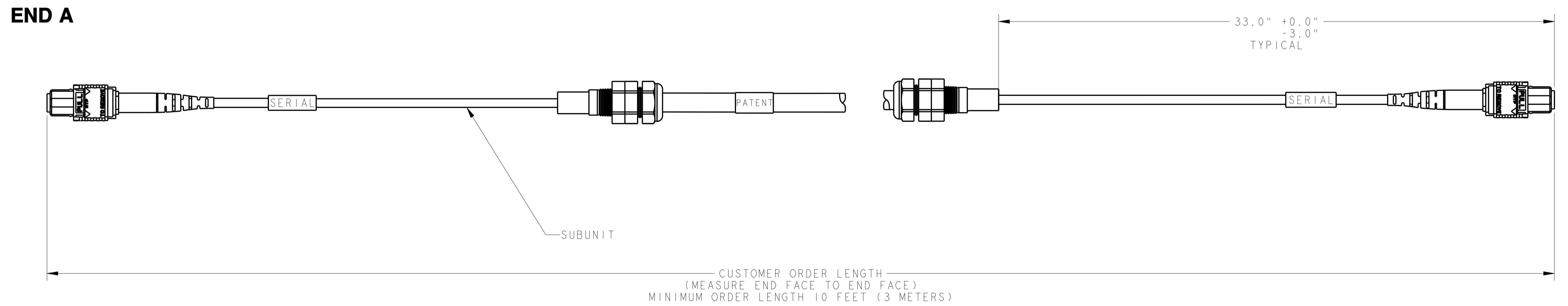


| | | | | | | | | | | |
|--|--------------------------------|--|--|--|---------------------|-----------------------|------------|--------------------------|-----------------------------------|-----------------|
| COMMScope, INC. OF NORTH CAROLINA | | | | | | | | | | |
| TOLERANCES | | | | | SAP MATERIAL MASTER | | | | | |
| FINISH | | | | | MATERIAL | | | | | |
| SYMBOLS AGREE WITH ASME Y14.5M - 2009 - ALL SHEETS ARE THE SAME REVISION AND STATUS. | DRAFTER AARON SATTERTHWAITE | | | TITLE CABLE ASSEMBLY, MPO, CONFIGURABLE TRUNK | | | | | | |
| | CHECKER ISAAC REIDLAND | | | ENGINEER AARON SATTERTHWAITE | | | SIZE A1 | SCALE | DOCUMENT NO. CD100H3235 | |
| | ECN 800001448 | | | MODEL | | | DRAWING | | SHEET | |
| | ALL SURFACES WORK AREA: 52 | | | VERSION 02 | | STATUS REVISION 02 | | DRAWING REVISION RE B | | SHEET 1 OF 8 |

© 2015 CommScope, Inc. Confidential
 NOTICE: These drawings and specifications are the proprietary property of COMMScope, Inc. and may be used only for the specific purpose authorized in writing by COMMScope, Inc.



POLARITY DETAIL - APPLIES TO ALL FIBER COUNTS



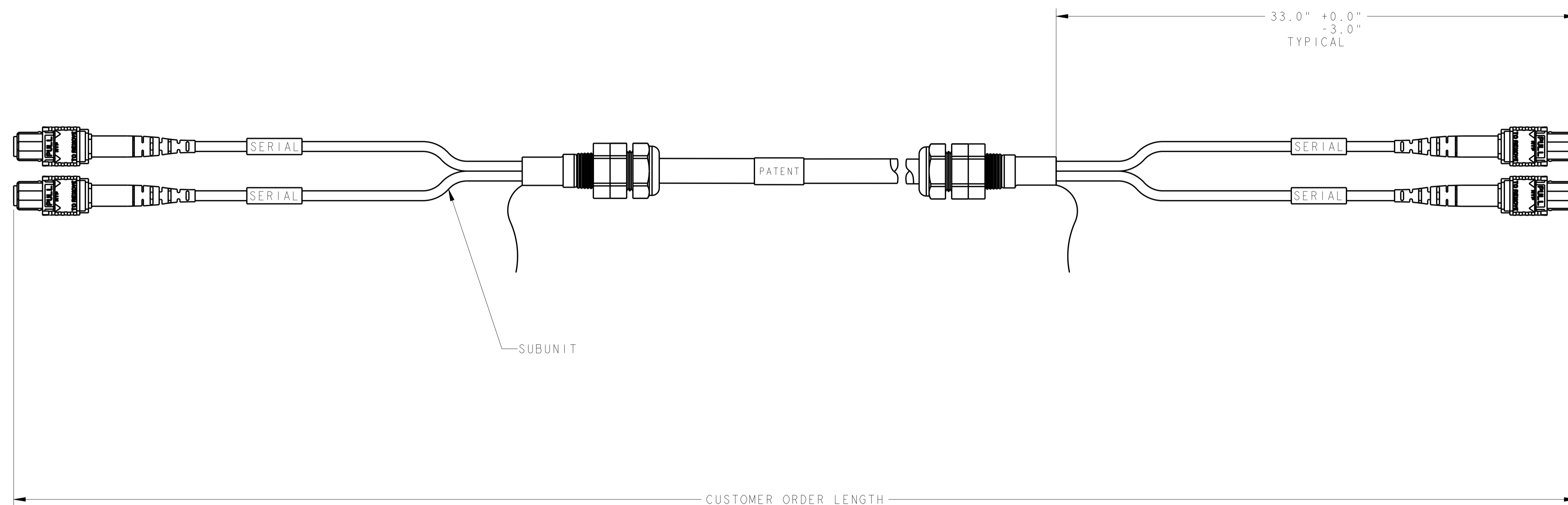
FIBER COUNT = D (12 FIBER)

| | | | |
|---|-------|----------------------------|-----------------|
| COMMSCOPE, INC. OF NORTH CAROLINA | | | |
| TITLE CABLE ASSEMBLY, MPO, CONFIGURABLE TRUNK | | | |
| SIZE A1 | SCALE | DOCUMENT NO. CD100H3235 | |
| DRAWING VERSION STATUS REVISION 02 RE B | | | SHEET 2 OF 8 |

© 2015 CommScope, Inc. Confidential
NOTICE: These drawings and specifications are the proprietary property of COMMSCOPE, INC. and may be used only for the specific purpose authorized in writing by COMMSCOPE, INC.

END A

END B



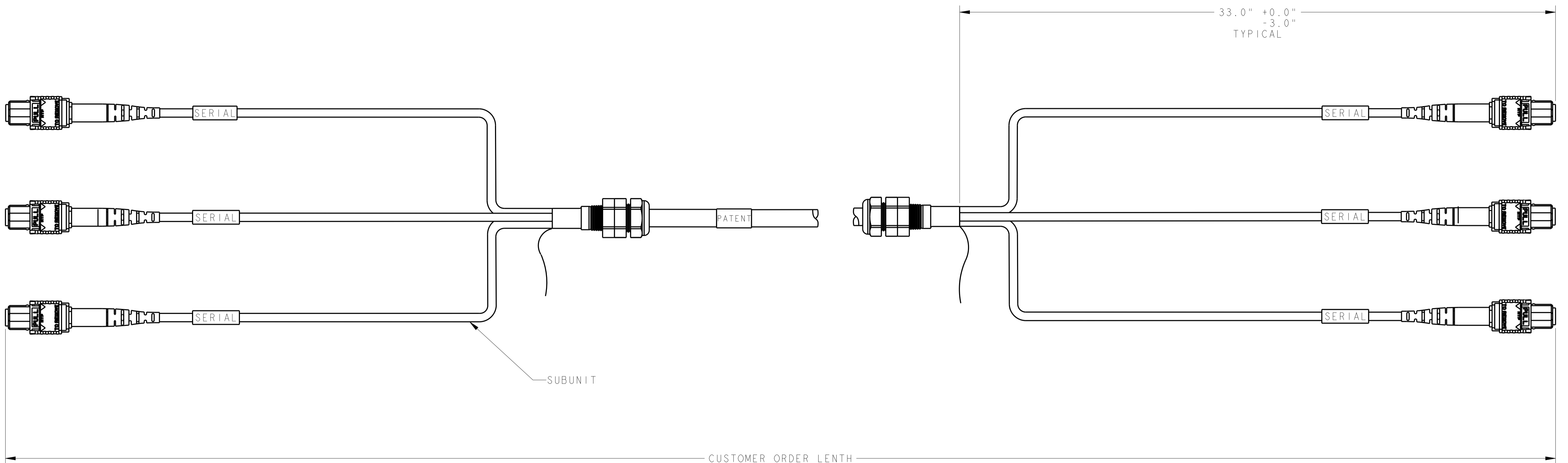
FIBER COUNT = F (24 FIBER)

| | | | |
|---|--------------|----------------------------|--------|
| COMMSCOPE, INC. OF NORTH CAROLINA | | | |
| TITLE CABLE ASSEMBLY, MPO, CONFIGURABLE TRUNK | | | |
| SIZE A1 | SCALE | DOCUMENT NO. CD100H3235 | |
| DRAWING | | | SHEET |
| VERSION 02 | STATUS RE | REVISION B | 3 OF 8 |

© 2015 CommScope, Inc. Confidential
 NOTICE: These drawings and specifications are the proprietary property of COMMSCOPE, INC. and may be used only for the specific purpose authorized in writing by COMMSCOPE, INC.

END A

END B

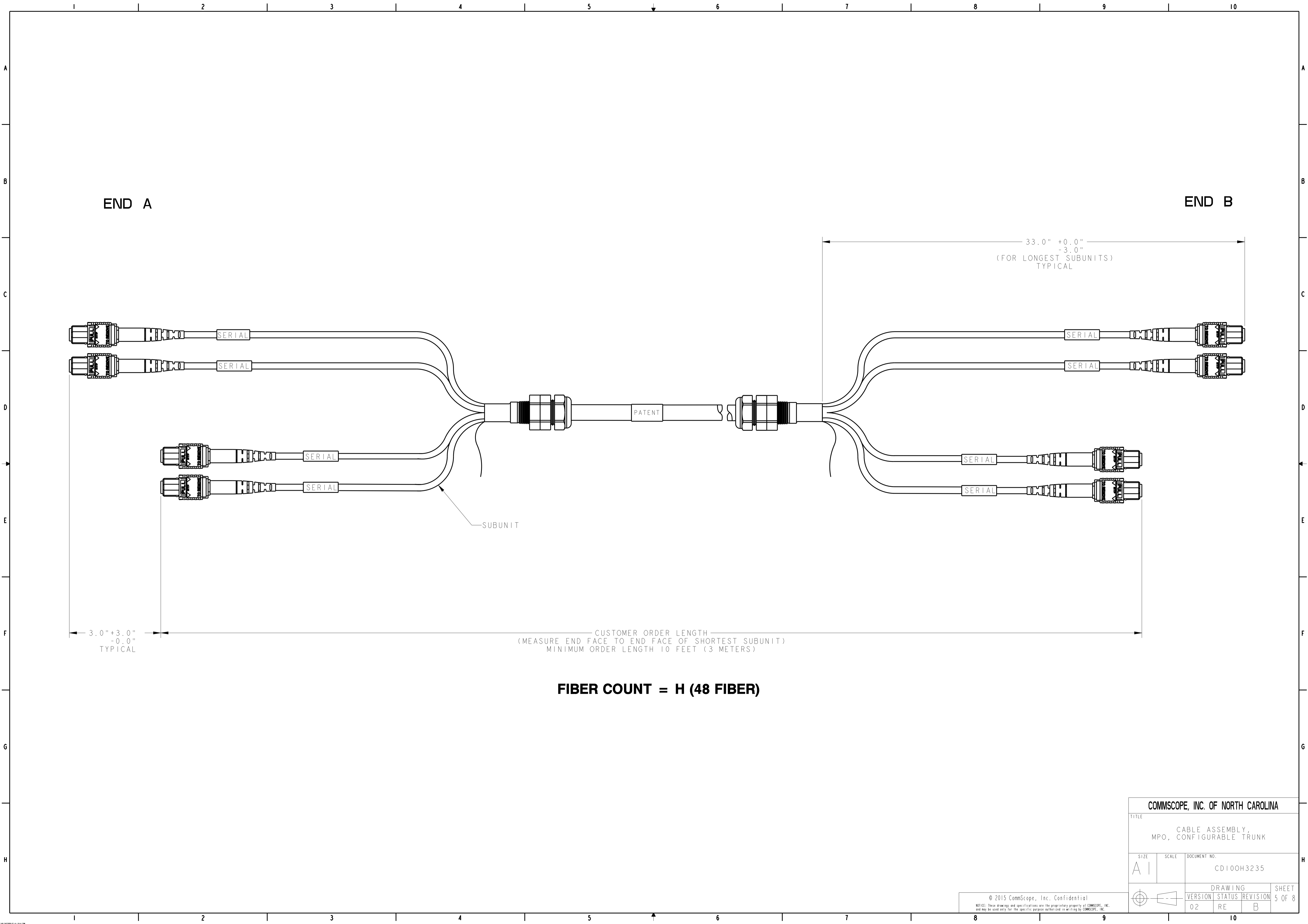


CUSTOMER ORDER LENGTH
 (MEASURE END FACE TO END FACE)
 MINIMUM ORDER LENGTH 10 FEET (3 METERS)

FIBER COUNT = G (36 FIBER)

| | | | |
|---|--------------|----------------------------|--------|
| COMMSCOPE, INC. OF NORTH CAROLINA | | | |
| TITLE CABLE ASSEMBLY, MPO, CONFIGURABLE TRUNK | | | |
| SIZE A1 | SCALE | DOCUMENT NO. CD100H3235 | |
| DRAWING | | | SHEET |
| VERSION 02 | STATUS RE | REVISION B | 4 OF 8 |

© 2015 CommScope, Inc. Confidential
 NOTICE: These drawings and specifications are the proprietary property of COMMSCOPE, INC. and may be used only for the specific purpose authorized in writing by COMMSCOPE, INC.



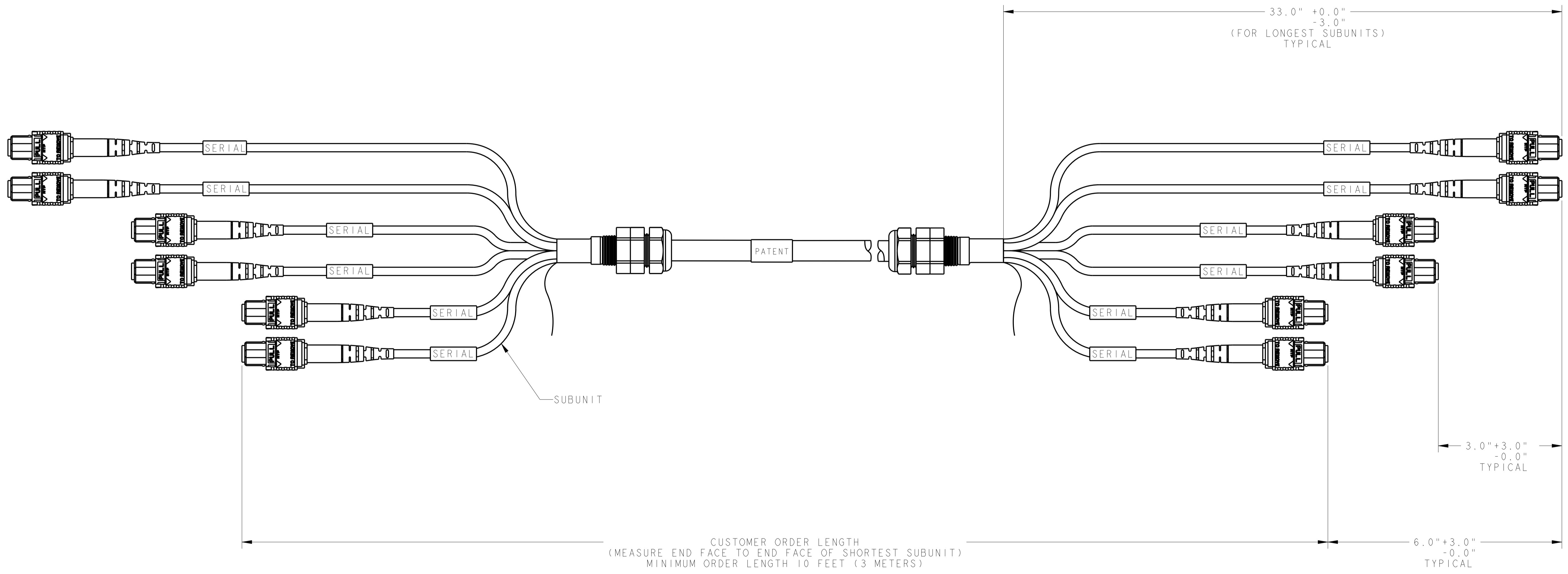
FIBER COUNT = H (48 FIBER)

| | | | |
|---|-------|----------------------------|-----------------|
| COMMSCOPE, INC. OF NORTH CAROLINA | | | |
| TITLE CABLE ASSEMBLY, MPO, CONFIGURABLE TRUNK | | | |
| SIZE A1 | SCALE | DOCUMENT NO. CD100H3235 | |
| DRAWING VERSION STATUS REVISION | | | SHEET 5 OF 8 |
| 02 RE B | | | |

© 2015 CommScope, Inc. Confidential
 NOTICE: These drawings and specifications are the proprietary property of COMMSCOPE, INC. and may be used only for the specific purpose authorized in writing by COMMSCOPE, INC.

END A

END B



CUSTOMER ORDER LENGTH
 (MEASURE END FACE TO END FACE OF SHORTEST SUBUNIT)
 MINIMUM ORDER LENGTH 10 FEET (3 METERS)

5.5

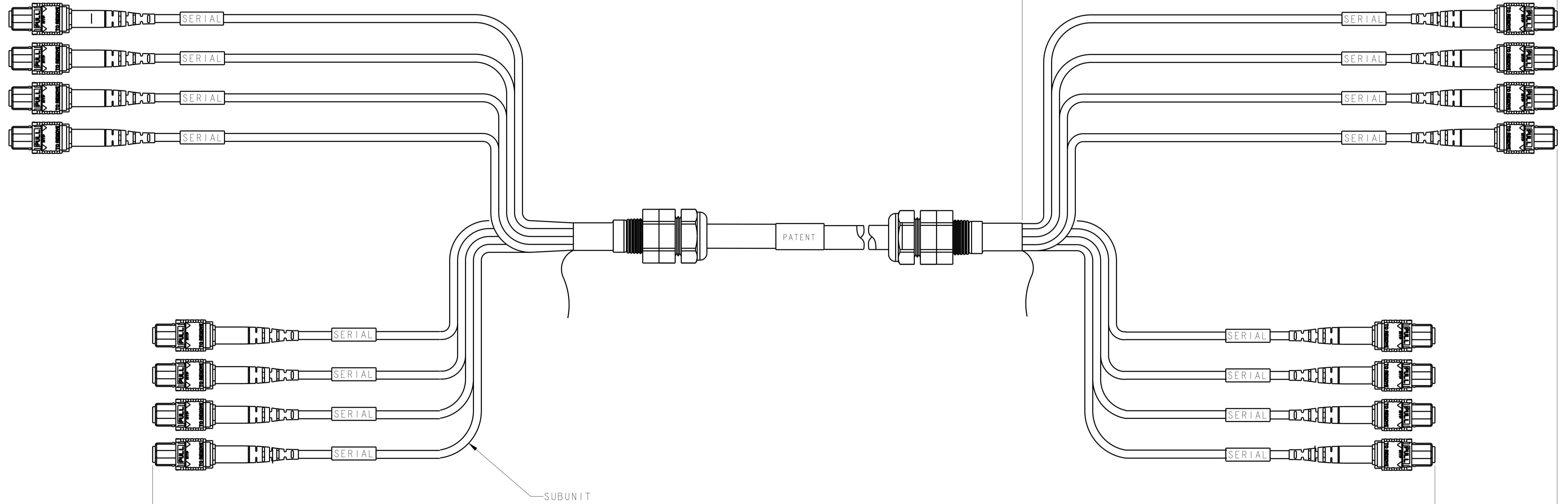
FIBER COUNT = K (72 FIBER)

| | | | |
|---|-------|----------------------------|-----------------|
| COMMSCOPE, INC. OF NORTH CAROLINA | | | |
| TITLE CABLE ASSEMBLY, MPO, CONFIGURABLE TRUNK | | | |
| SIZE A1 | SCALE | DOCUMENT NO. CD100H3235 | |
| DRAWING VERSION STATUS REVISION | | | SHEET 6 OF 8 |
| 02 | RE | B | |

© 2015 CommScope, Inc. Confidential
 NOTICE: These drawings and specifications are the proprietary property of COMMSCOPE, INC. and may be used only for the specific purpose authorized in writing by COMMSCOPE, INC.

END A

END B



33.0" +0.0"
-3.0"
TYPICAL

CUSTOMER ORDER LENGTH
(MEASURE END FACE TO END FACE OF SHORTEST SUBUNIT)
MINIMUM ORDER LENGTH 10 FEET (3 METERS)

3.0" +3.0"
-0.0"
TYPICAL

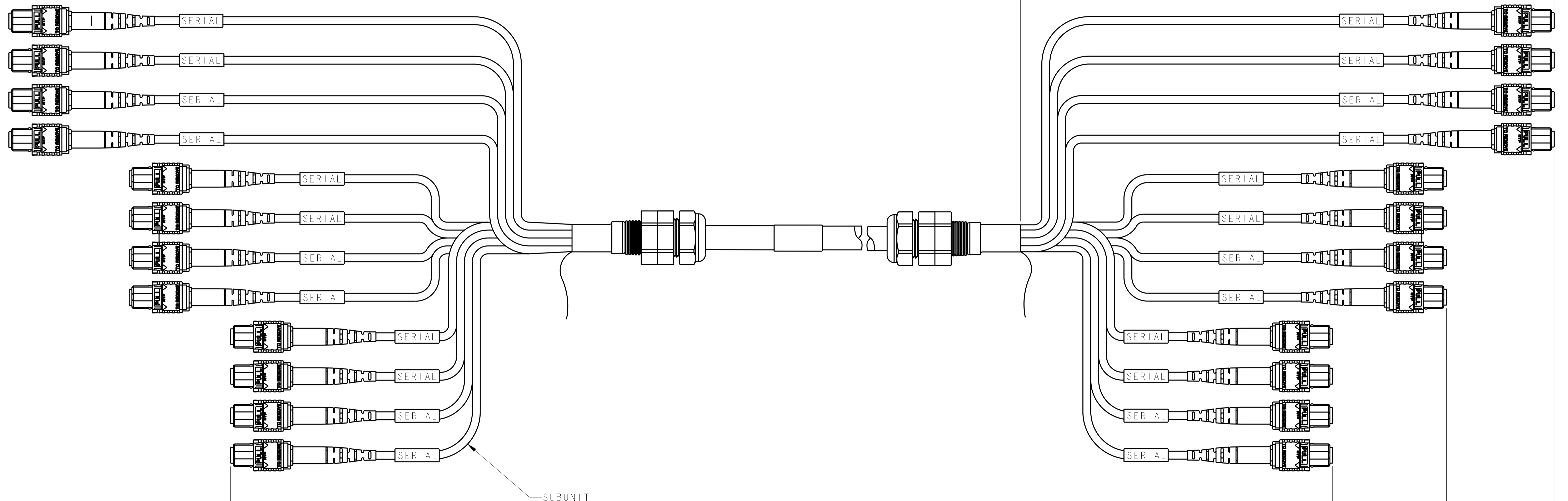
FIBER COUNT = L (96 FIBER)

| | | | |
|---|-------|----------------------------|-----------------|
| COMMSCOPE, INC. OF NORTH CAROLINA | | | |
| TITLE CABLE ASSEMBLY, MPO, CONFIGURABLE TRUNK | | | |
| SIZE A1 | SCALE | DOCUMENT NO. CD100H3235 | |
| DRAWING VERSION STATUS REVISION 02 RE B | | | SHEET 7 OF 8 |

© 2015 CommScope, Inc. Confidential
NOTICE: These drawings and specifications are the proprietary property of COMMSCOPE, INC. and may be used only for the specific purpose authorized in writing by COMMSCOPE, INC.

END A

END B



CUSTOMER ORDER LENGTH
 (MEASURE END FACE TO END FACE OF SHORTEST SUBUNIT)
 MINIMUM ORDER LENGTH 10 FEET (3 METERS)

FIBER COUNT = M (144 FIBER)

| | | | |
|---|-------|----------------------------|-----------------|
| COMMSCOPE, INC. OF NORTH CAROLINA | | | |
| TITLE CABLE ASSEMBLY, MPO, CONFIGURABLE TRUNK | | | |
| SIZE A1 | SCALE | DOCUMENT NO. CD100H3235 | |
| DRAWING VERSION STATUS REVISION | | | SHEET 8 OF 8 |
| 02 RE B | | | |

© 2015 CommScope, Inc. Confidential
 NOTICE: These drawings and specifications are the proprietary property of COMMSCOPE, INC. and may be used only for the specific purpose authorized in writing by COMMSCOPE, INC.