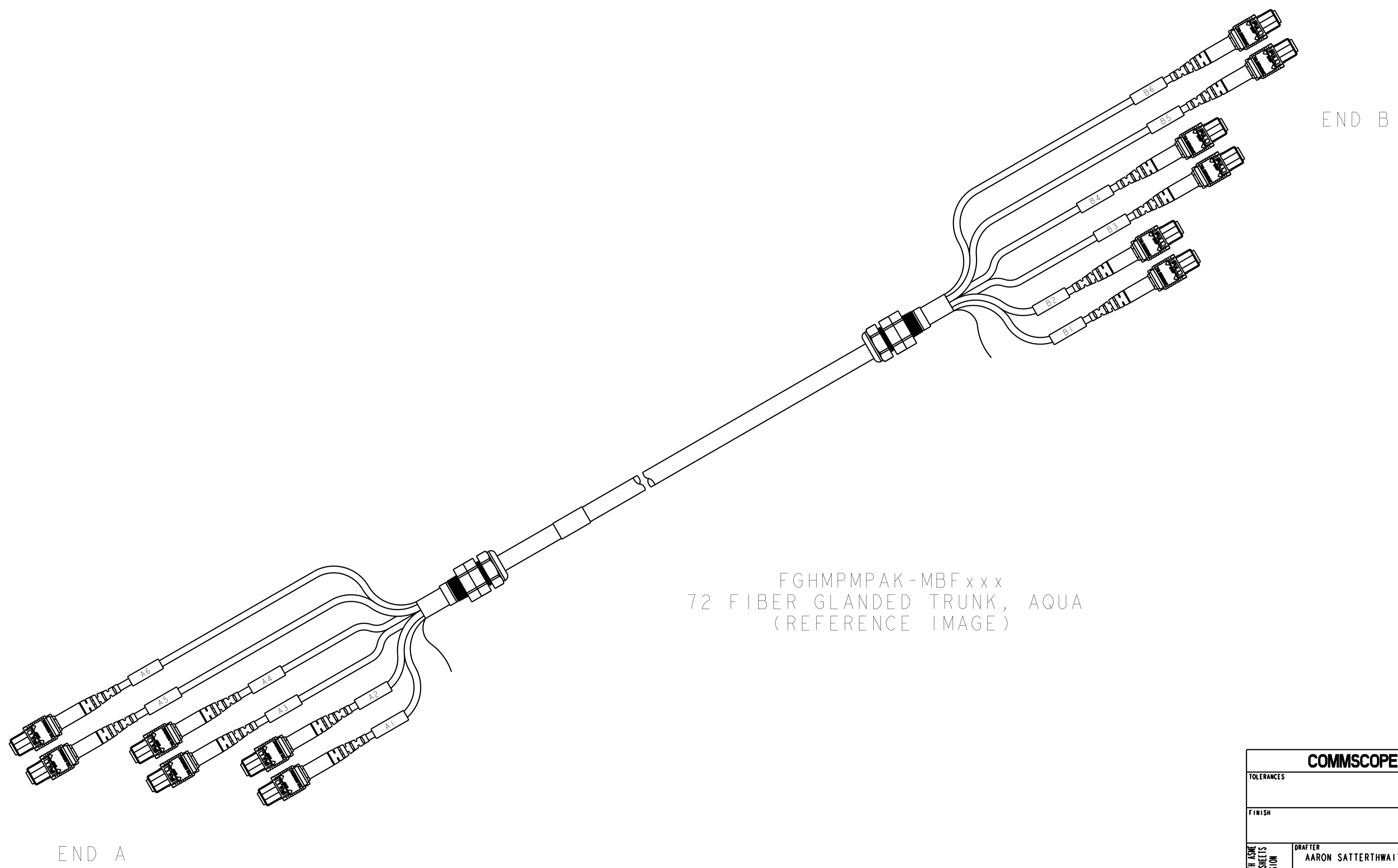


REVISIONS			
REV	DESCRIPTION	DATE	APPROVED
B		18-SEP-2015	

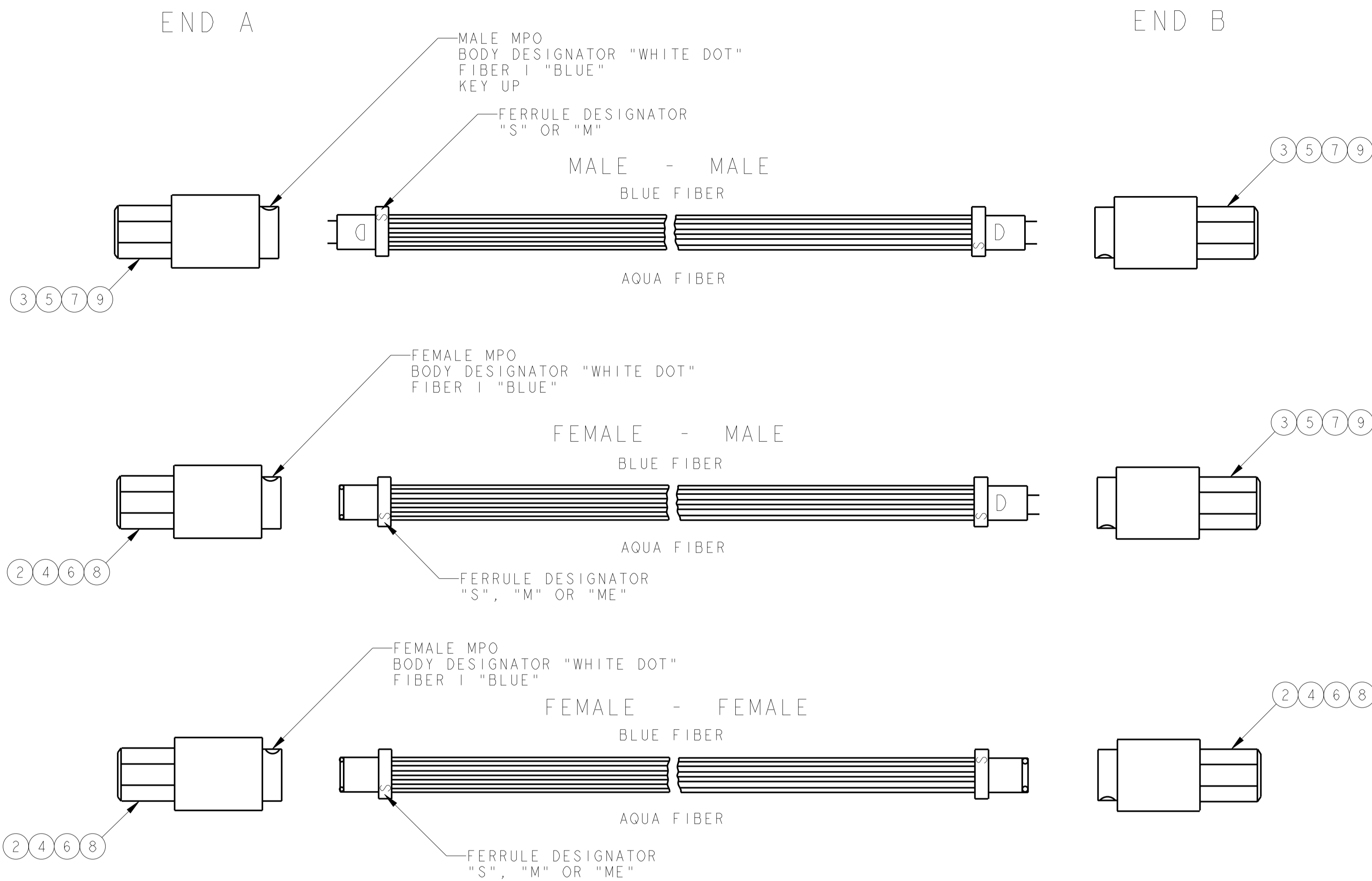
<b>F</b> FIBER	<b>a</b> FAMILY G=TRUNK, PLENUM INSTAPATCH J=TRUNK, LSZH INSTAPATCH Y=TRUNK, PLENUM READYPATCH	<b>b</b> FIBER TYPE H=LAZRSPEED 150 MULTIMODE Z=LAZRSPEED 300 MULTIMODE X=LAZRSPEED 550 MULTIMODE M=OPTISPEED MULTIMODE W=TERASPEED SINGLEMODE U=LAZRSPEED WB 300 V=LAZRSPEED WB 550	<b>cc</b> TERMINATION END A MP=MPO(FEMALE) MX=MPO(MALE)	<b>dd</b> TERMINATION END B MP=MPO(FEMALE) MX=MPO(MALE) UC=UNCONNECTORIZED	<b>e</b> CONSTRUCTION A=12 FIBER PmP D=12 FIBER PmP I/O P=12 FIBER PmP (PVDF)	<b>f</b> FIBER COUNT D= 12 FIBER F= 24 FIBER G= 36 FIBER H= 48 FIBER K= 72 FIBER L= 96 FIBER M=144 FIBER	<b>g</b> COLOR A=BLUE B=ORANGE C=GREEN D=BROWN E=SLATE F=WHITE G=RED H=BLACK J=YELLOW K=VIOLET L=ROSE M=AQUA N=LIME GREEN	<b>h</b> OPTIONS A=NO GLAND B=WITH GLAND C=WITH PULLING EYE	<b>j</b> UNIT OF MEASURE F= FEET M= METER	<b>kkk</b> LENGTH FEET 010 - 999 METERS 003 - 999
-------------------	---	---	---	---	---	--	---	---	---	--



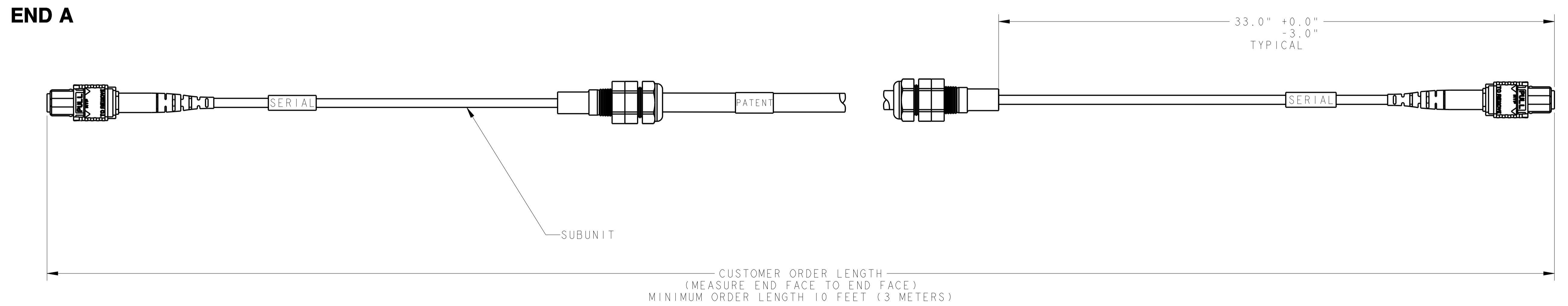
FGHMPMPAK-MBF x x x  
72 FIBER GLANDED TRUNK, AQUA  
(REFERENCE IMAGE)

<b>COMMScope, INC. OF NORTH CAROLINA</b>												
TOLERANCES						SAP MATERIAL MASTER						
FINISH						MATERIAL						
SYMBOLS AGREE WITH ASME Y14.5M - 2009 - ALL SHEETS ARE THE SAME REVISION AND STATUS.	DRAFTER AARON SATTERTHWAITE			TITLE CABLE ASSEMBLY, MPO, CONFIGURABLE TRUNK			ENGINEER AARON SATTERTHWAITE			SIZE A 1		
	CHECKER ISAAC REIDLAND			SCALE			DOCUMENT NO. CD100H3235			ECN 800001448		
	ALL SURFACES			WORK AREA: 52			MODEL			DRAWING		
	✓			VERSION 02			STATUS REVISION			VERSION 02		
									DRAWING REVISION			
									SHEET 1 OF 8			

© 2015 CommScope, Inc. Confidential  
NOTICE: These drawings and specifications are the proprietary property of COMMScope, Inc. and may be used only for the specific purpose authorized in writing by COMMScope, Inc.



**POLARITY DETAIL - APPLIES TO ALL FIBER COUNTS**



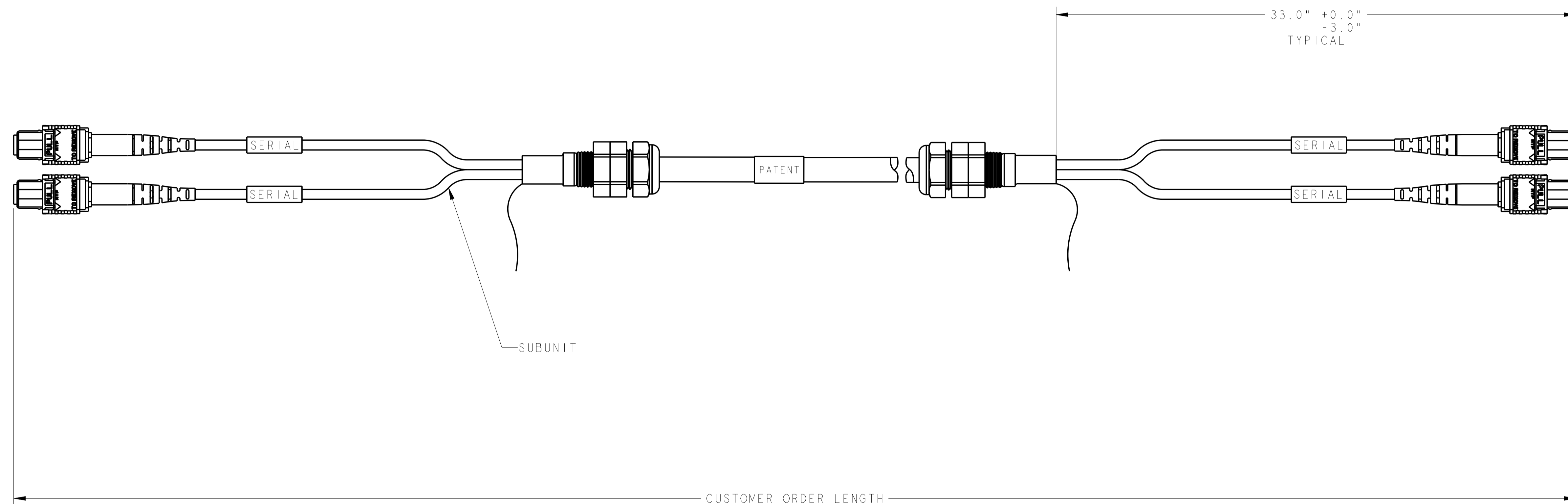
**FIBER COUNT = D (12 FIBER)**

COMMSCOPE, INC. OF NORTH CAROLINA			
TITLE CABLE ASSEMBLY, MPO, CONFIGURABLE TRUNK			
SIZE A1	SCALE	DOCUMENT NO. CD100H3235	
DRAWING VERSION STATUS REVISION 02 RE B			SHEET 2 OF 8

© 2015 CommScope, Inc. Confidential  
NOTICE: These drawings and specifications are the proprietary property of COMMSCOPE, INC. and may be used only for the specific purpose authorized in writing by COMMSCOPE, INC.

END A

END B



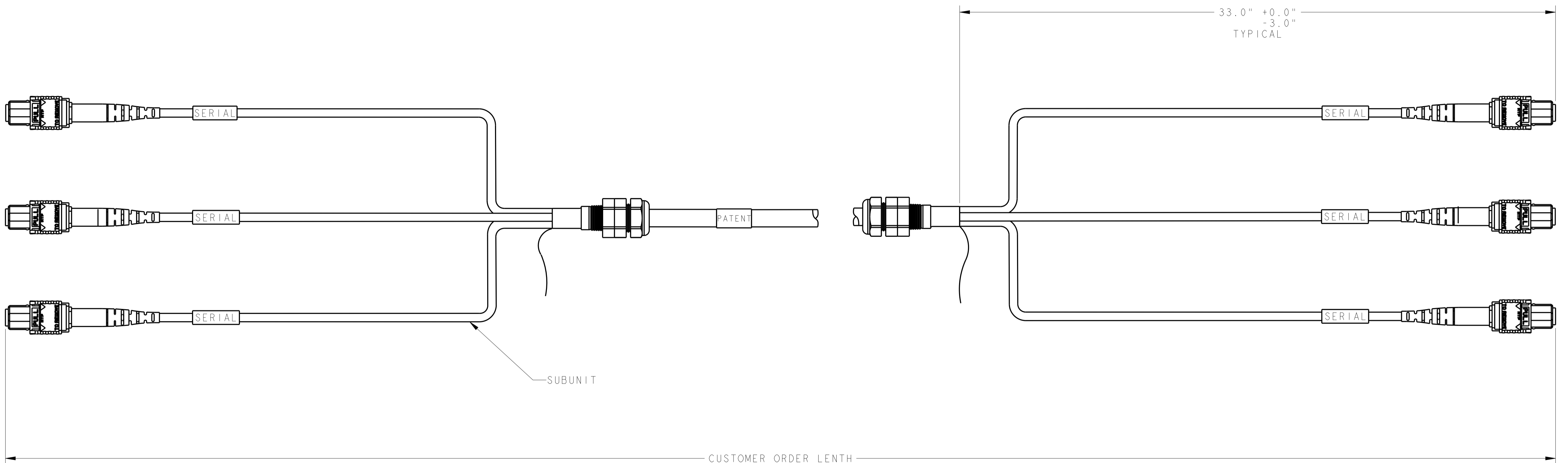
**FIBER COUNT = F (24 FIBER)**

COMMSCOPE, INC. OF NORTH CAROLINA			
TITLE CABLE ASSEMBLY, MPO, CONFIGURABLE TRUNK			
SIZE A1	SCALE	DOCUMENT NO. CD100H3235	
DRAWING VERSION STATUS REVISION			SHEET 3 OF 8
02 RE B			

© 2015 CommScope, Inc. Confidential  
NOTICE: These drawings and specifications are the proprietary property of COMMSCOPE, INC. and may be used only for the specific purpose authorized in writing by COMMSCOPE, INC.

END A

END B



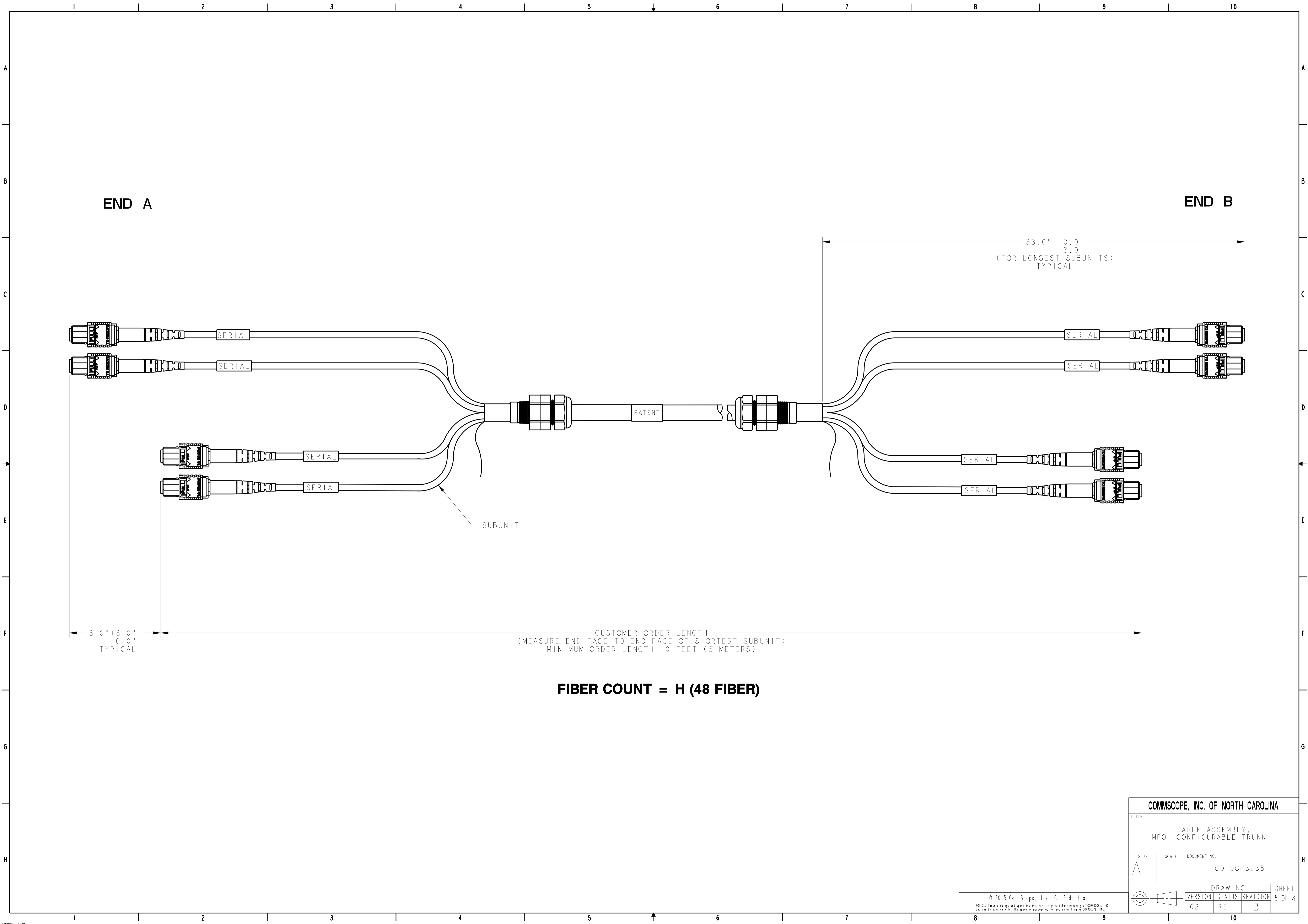
SUBUNIT

CUSTOMER ORDER LENGTH  
(MEASURE END FACE TO END FACE)  
MINIMUM ORDER LENGTH 10 FEET (3 METERS)

FIBER COUNT = G (36 FIBER)

COMMSCOPE, INC. OF NORTH CAROLINA			
TITLE CABLE ASSEMBLY, MPO, CONFIGURABLE TRUNK			
SIZE A1	SCALE	DOCUMENT NO. CD100H3235	
DRAWING			SHEET
VERSION 02	STATUS RE	REVISION B	4 OF 8

© 2015 CommScope, Inc. Confidential  
 NOTICE: These drawings and specifications are the proprietary property of COMMSCOPE, INC. and may be used only for the specific purpose authorized in writing by COMMSCOPE, INC.



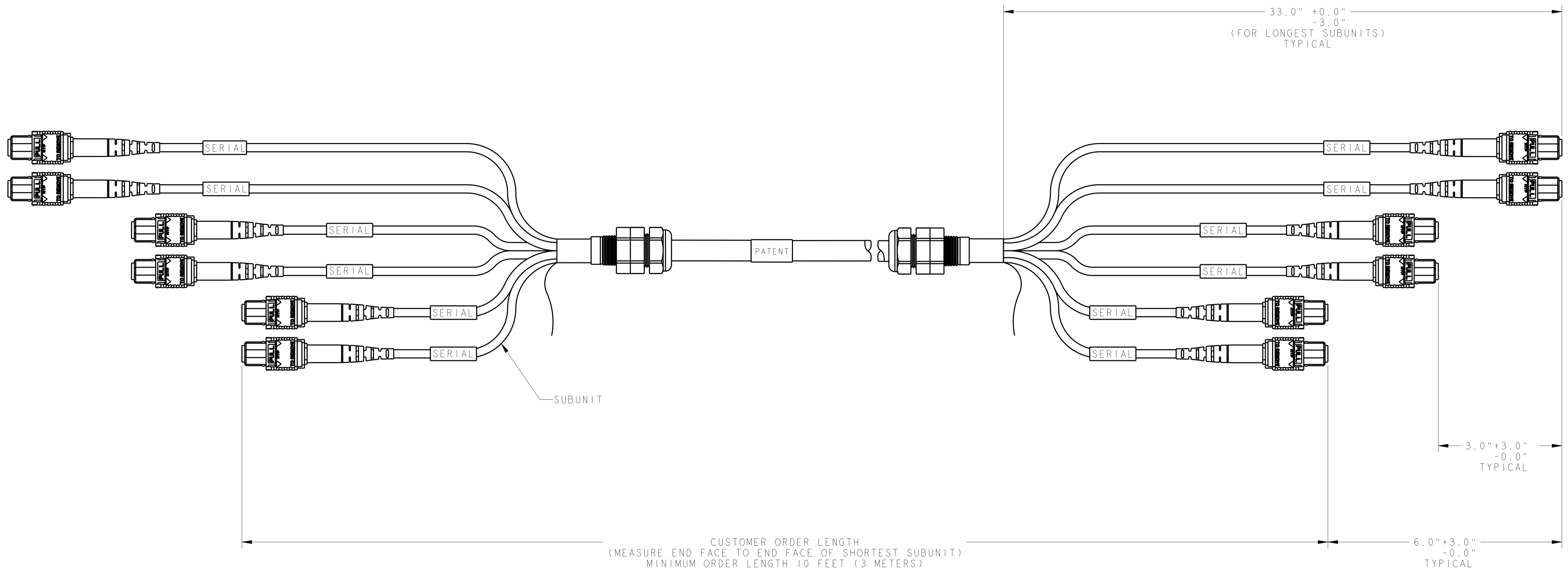
**FIBER COUNT = H (48 FIBER)**

COMMSCOPE, INC. OF NORTH CAROLINA			
TITLE CABLE ASSEMBLY, MPO, CONFIGURABLE TRUNK			
SIZE A1	SCALE	DOCUMENT NO. CD100H3235	
DRAWING			SHEET
VERSION 02	STATUS RE	REVISION B	5 OF 8

© 2015 CommScope, Inc. Confidential  
 NOTICE: These drawings and specifications are the proprietary property of COMMSCOPE, INC. and may be used only for the specific purpose authorized in writing by COMMSCOPE, INC.

END A

END B



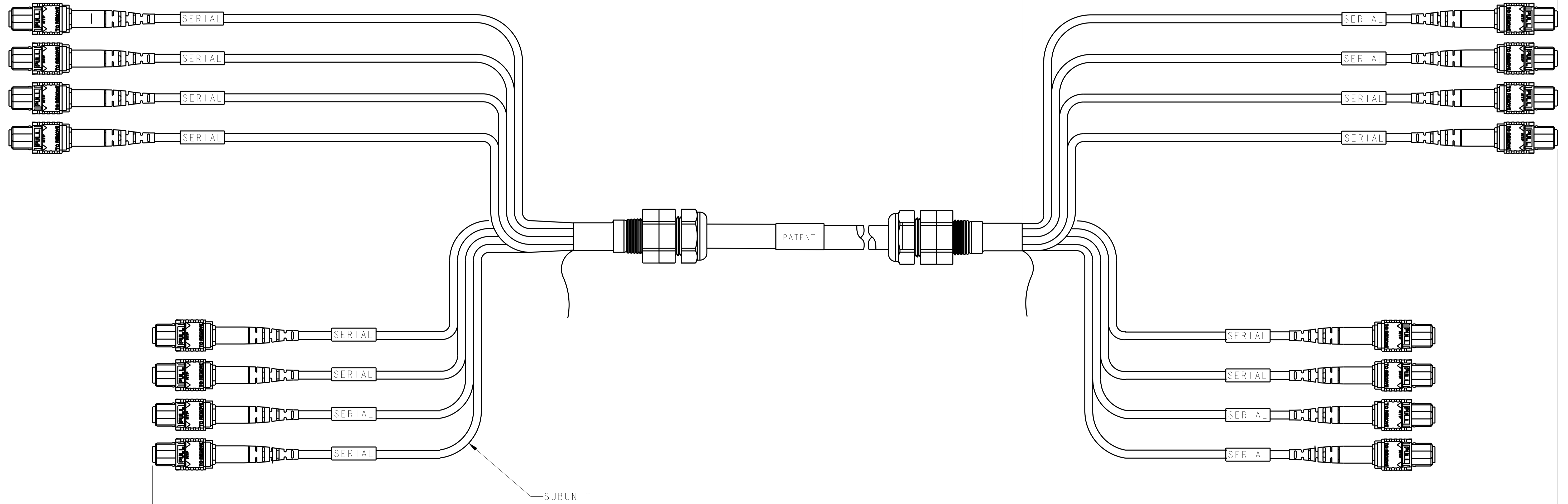
FIBER COUNT = K (72 FIBER)

COMMSCOPE, INC. OF NORTH CAROLINA			
TITLE CABLE ASSEMBLY, MPO, CONFIGURABLE TRUNK			
SIZE A1	SCALE	DOCUMENT NO. CD100H3235	
DRAWING			SHEET
VERSION 02	STATUS RE	REVISION B	6 OF 8

© 2015 CommScope, Inc. Confidential  
 NOTICE: These drawings and specifications are the proprietary property of COMMSCOPE, INC. and may be used only for the specific purpose authorized in writing by COMMSCOPE, INC.

END A

END B



CUSTOMER ORDER LENGTH  
 (MEASURE END FACE TO END FACE OF SHORTEST SUBUNIT)  
 MINIMUM ORDER LENGTH 10 FEET (3 METERS)

3.0" +3.0" / -0.0" TYPICAL

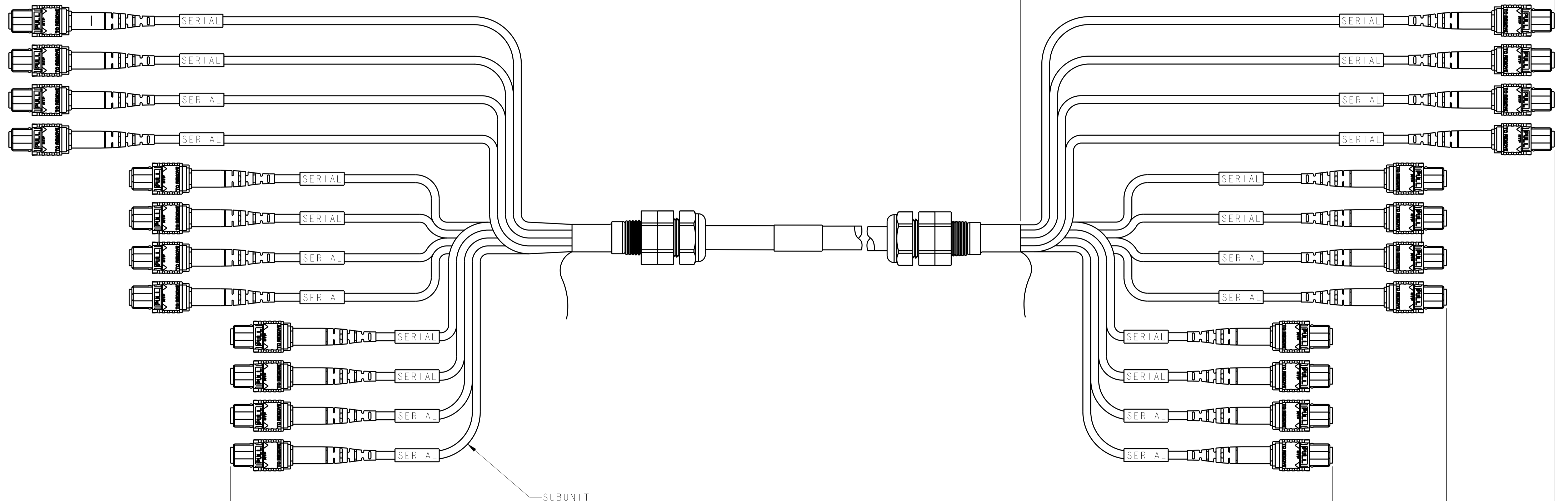
**FIBER COUNT = L (96 FIBER)**

COMMSCOPE, INC. OF NORTH CAROLINA			
TITLE CABLE ASSEMBLY, MPO, CONFIGURABLE TRUNK			
SIZE A1	SCALE	DOCUMENT NO. CD100H3235	
DRAWING VERSION STATUS REVISION			SHEET 7 OF 8
02 RE B			

© 2015 CommScope, Inc. Confidential  
 NOTICE: These drawings and specifications are the proprietary property of COMMSCOPE, INC. and may be used only for the specific purpose authorized in writing by COMMSCOPE, INC.

END A

END B



33.0" +0.0"  
-3.0"  
TYPICAL

3.0" +3.0"  
-0.0"  
TYPICAL

CUSTOMER ORDER LENGTH  
(MEASURE END FACE TO END FACE OF SHORTEST SUBUNIT)  
MINIMUM ORDER LENGTH 10 FEET (3 METERS)

6.0" +3.0"  
-0.0"  
TYPICAL

**FIBER COUNT = M (144 FIBER)**

COMMSCOPE, INC. OF NORTH CAROLINA			
TITLE CABLE ASSEMBLY, MPO, CONFIGURABLE TRUNK			
SIZE A1	SCALE	DOCUMENT NO. CD100H3235	
DRAWING VERSION STATUS REVISION			SHEET 8 OF 8
02 RE B			

© 2015 CommScope, Inc. Confidential  
NOTICE: These drawings and specifications are the proprietary property of COMMSCOPE, INC. and may be used only for the specific purpose authorized in writing by COMMSCOPE, INC.