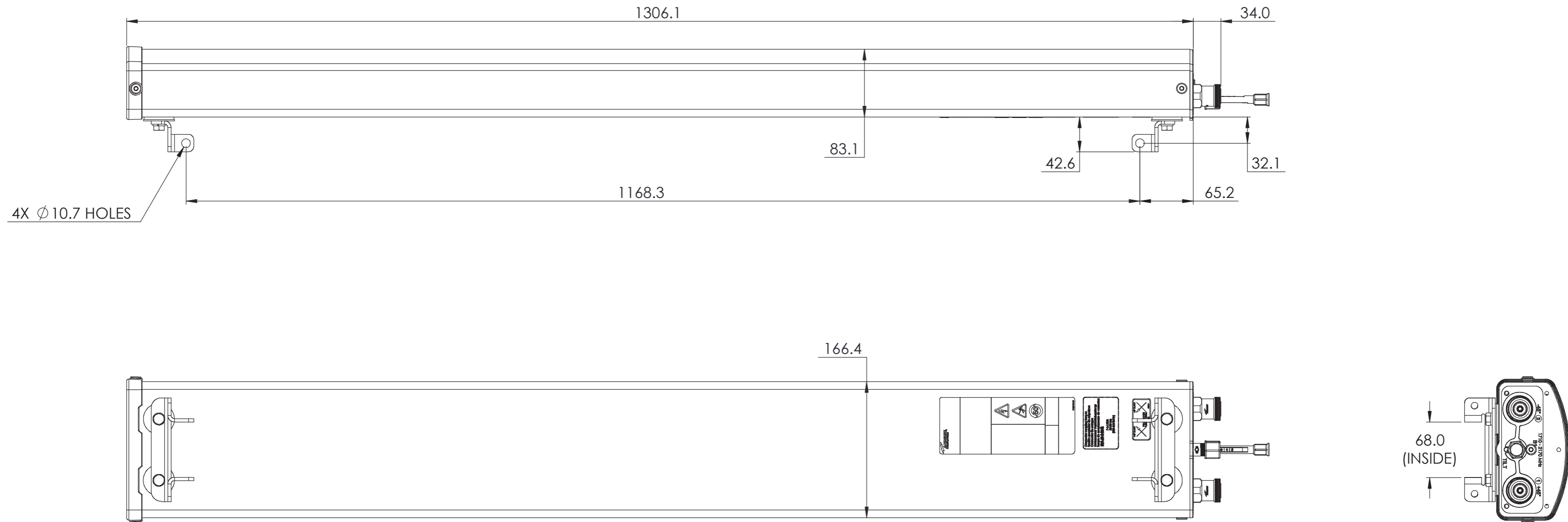


NOTES:

REVISIONS			
REV.	DESCRIPTION	DATE	APPROVED
A	ECR 5079197: REL TO PRODUCTION.	19MAR08 THD	GUXU
G	ECR 5110850: DEL JBX-6516DS-VTM; UPDATE THE DRAWING.	19JAN12 XH	GUXU/S.LIU
H	ECR 800000653: ADD HBX-6516DST-VTM.	14MAY13 HH	S.LIU/JIHE
J	ECR 8000001358: UPDATE DRAWING.	18SEP13 QF	EB/GD
K	ECR 8000005403: ADD DXF FILE.	20OCT14 HWW	S.LIU/JIHE



HBX-6516DS-VTM  
HBX-6516DST-VTM

MATERIAL N/A	DENSITY: MASS:	UNLESS OTHERWISE SPECIFIED DIMENSIONS ARE IN MILLIMETERS INTERPRET PER ISO STANDARDS HANDBOOK TECHNICAL DRAWINGS VOLUMES 1 & 2, THIRD EDITION (2002)	WESTCHESTER, IL. 60154 U.S.A.	
FINISH N/A	<b>TOLERANCES</b> 0 PLACE X ± 1 PLACE .X ± 2 PLACE .XX ± ANGLES ± ALL SURFACES ✓		<b>THIRD ANGLE PROJECTION</b> 	
	DRAWN BY THD 19MAR08 ECN 8000005403-O		SIZE <b>A2 84147</b>	CAGE CODE DOCUMENT NO. HBX-6516DS-VTM-L
NOTICE: These drawings and specifications are the proprietary property of ANDREW CORPORATION and may be used only for the specific purpose authorized in writing by Andrew.			AUTH. GROUP 23	MODEL DRAWING SHEET 1 OF 2
		VERSION 13	STATUS RE	REVISION P
		VERSION 09	STATUS RE	REVISION K

THIRD ANGLE PROJECTION

THIRD ANGLE PROJECTION

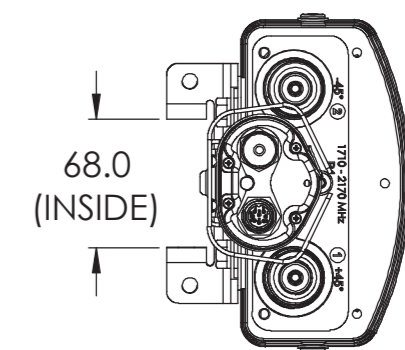
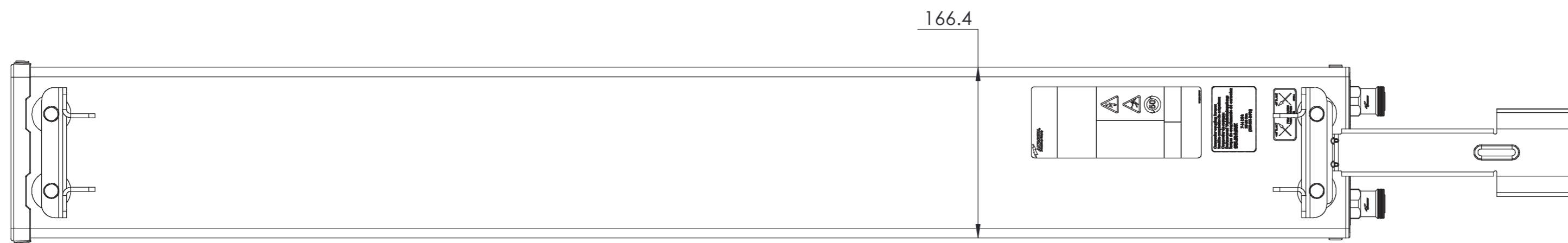
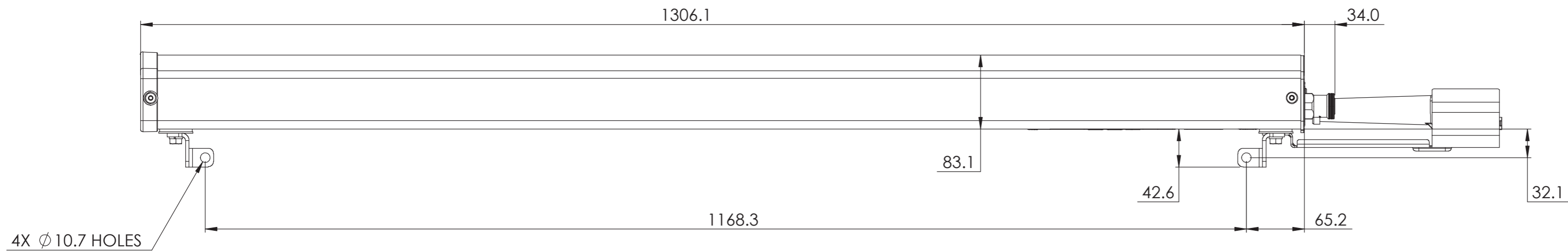
D  
C  
B  
A

4

3

2

1



HBX-6516DS-R2M  
 HBX-6516DS-R3M  
 HBX-6516DS-E1M  
 HBX-6516DS-A1M  
 HBX-6516DS-R1M

**ANDREW** WESTCHESTER, IL. 60154  
 U.S.A.

PRODUCT DRAWING

THIRD ANGLE PROJECTION



SIZE	CAGE CODE	DOCUMENT NO.
<b>A2</b>	<b>84147</b>	HBX-6516DS-VTM-L

NOTICE: These drawings and specifications are the proprietary property of ANDREW CORPORATION and may be used only for the specific purpose authorized in writing by Andrew.

VERSION	STATUS	REVISION	SHEET
09	RE	K	2 OF 2

4

3

2

1

THIRD ANGLE PROJECTION