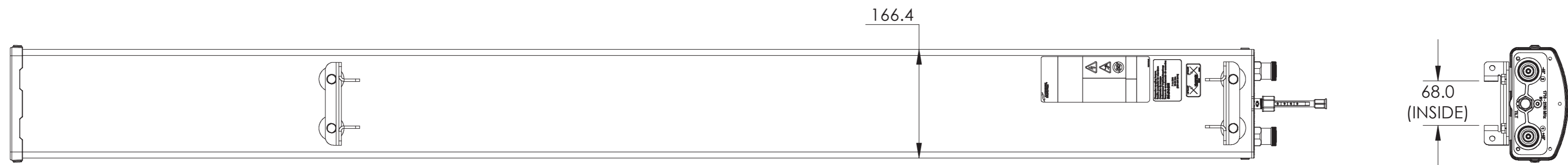
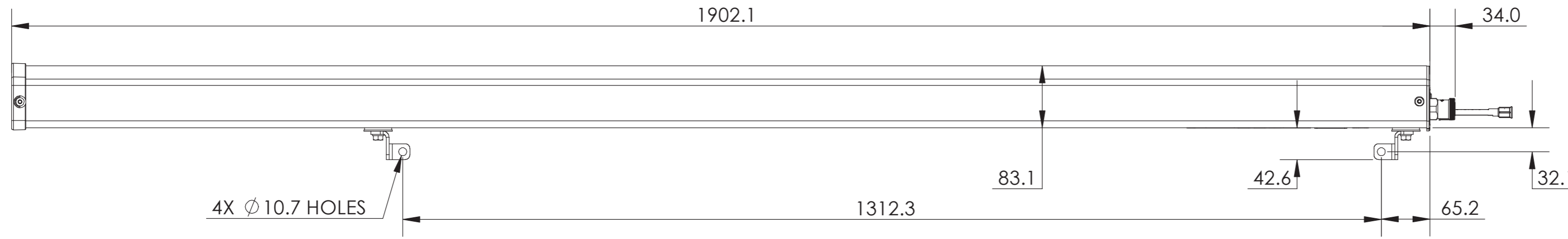




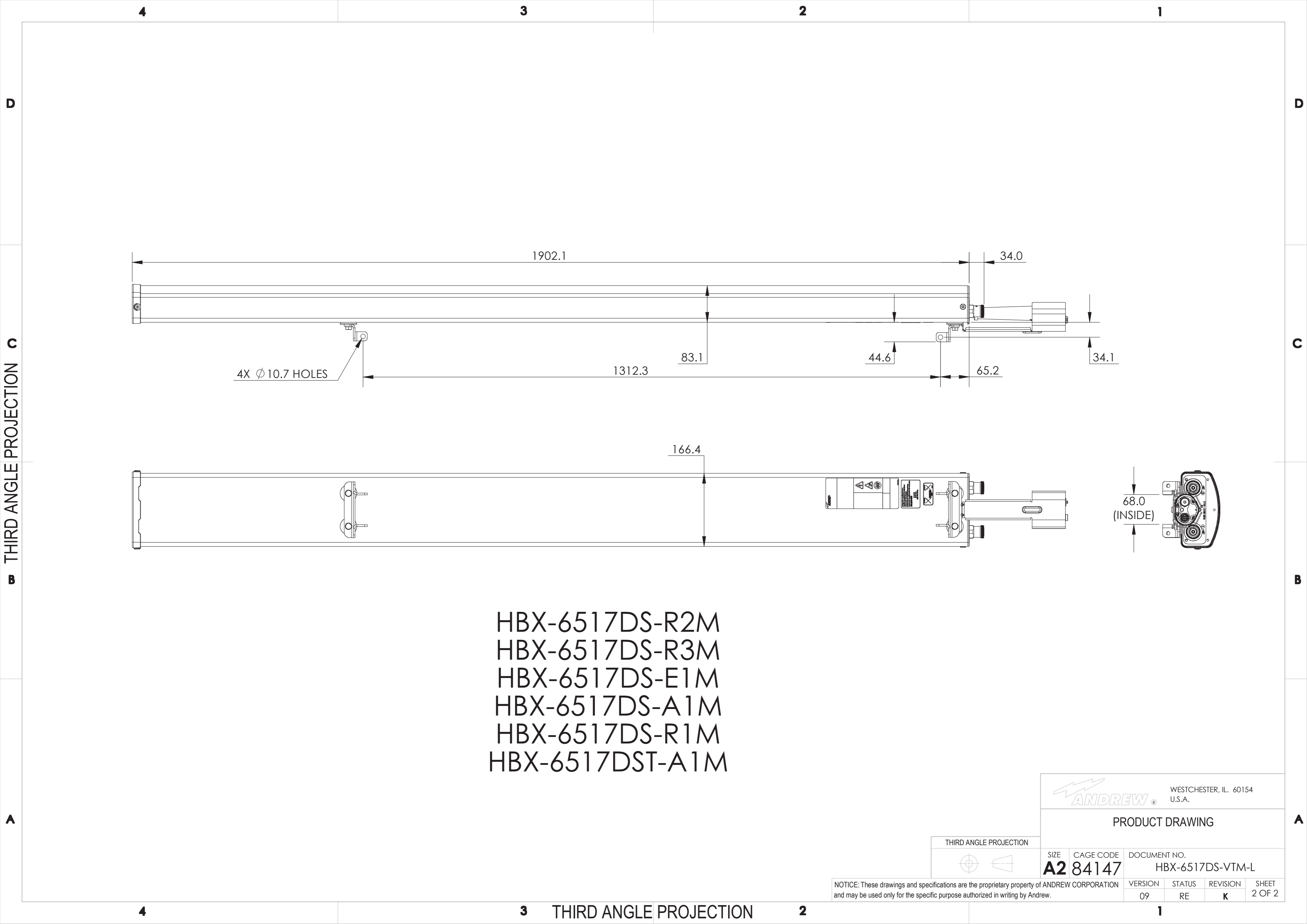
NOTES:

REVISIONS			
REV	DESCRIPTION	DATE	APPROVED
A	ECR 5079197: REL TO PRODUCTION.	14MAR08 LYJ	JUSUN/GUXU
G	ECR 8000000402: ADD NEW LINK FOR HBX-6517DST-VTM ON SHEET 1.	22MAR13 YMH	S.LIU/GUXU
H	ECR 8000000653: ADD HBX-6517DST-A1M.	13MAY13 DYT	S.LIU/JIHE
J	ECR 8000001359: UPDATE DRAWING.	12SEP13 YR	EB/GD
K	ECR 8000005403: ADD DXF FILE.	20OCT14 HWW	S.LIU/JIHE



HBX-6517DS-VTM  
HBX-6517DST-VTM

MATERIAL N/A	DENSITY: MASS:	UNLESS OTHERWISE SPECIFIED DIMENSIONS ARE IN MILLIMETERS INTERPRET PER ISO STANDARDS HANDBOOK TECHNICAL DRAWINGS, VOLUMES 1 & 2, THIRD EDITION (2002)	 WESTCHESTER, IL. 60154 U.S.A.	
FINISH N/A	<b>TOLERANCES</b> 0 PLACE X ± 1 PLACE .X ± 2 PLACE .XX ± ANGLES ±		<b>THIRD ANGLE PROJECTION</b> 	
	ALL SURFACES ✓		DRAWN BY LYJ 14MAR08 ECN 8000005403-O	SIZE <b>A2</b> CAGE CODE <b>84147</b> DOCUMENT NO. <b>HBX-6517DS-VTM-L</b>
NOTICE: These drawings and specifications are the proprietary property of ANDREW CORPORATION and may be used only for the specific purpose authorized in writing by Andrew.			AUTH. GROUP 23	MODEL DRAWING VERSION STATUS REVISION VERSION STATUS REVISION SHEET 11 RE M 09 RE K 1 OF 2



4X  $\phi$  10.7 HOLES

HBX-6517DS-R2M  
 HBX-6517DS-R3M  
 HBX-6517DS-E1M  
 HBX-6517DS-A1M  
 HBX-6517DS-R1M  
 HBX-6517DST-A1M

**ANDREW** WESTCHESTER, IL. 60154  
 U.S.A.

PRODUCT DRAWING

THIRD ANGLE PROJECTION		SIZE	CAGE CODE	DOCUMENT NO.	VERSION	STATUS	REVISION	SHEET
		<b>A2</b>	<b>84147</b>	HBX-6517DS-VTM-L	09	RE	<b>K</b>	2 OF 2

NOTICE: These drawings and specifications are the proprietary property of ANDREW CORPORATION and may be used only for the specific purpose authorized in writing by Andrew.