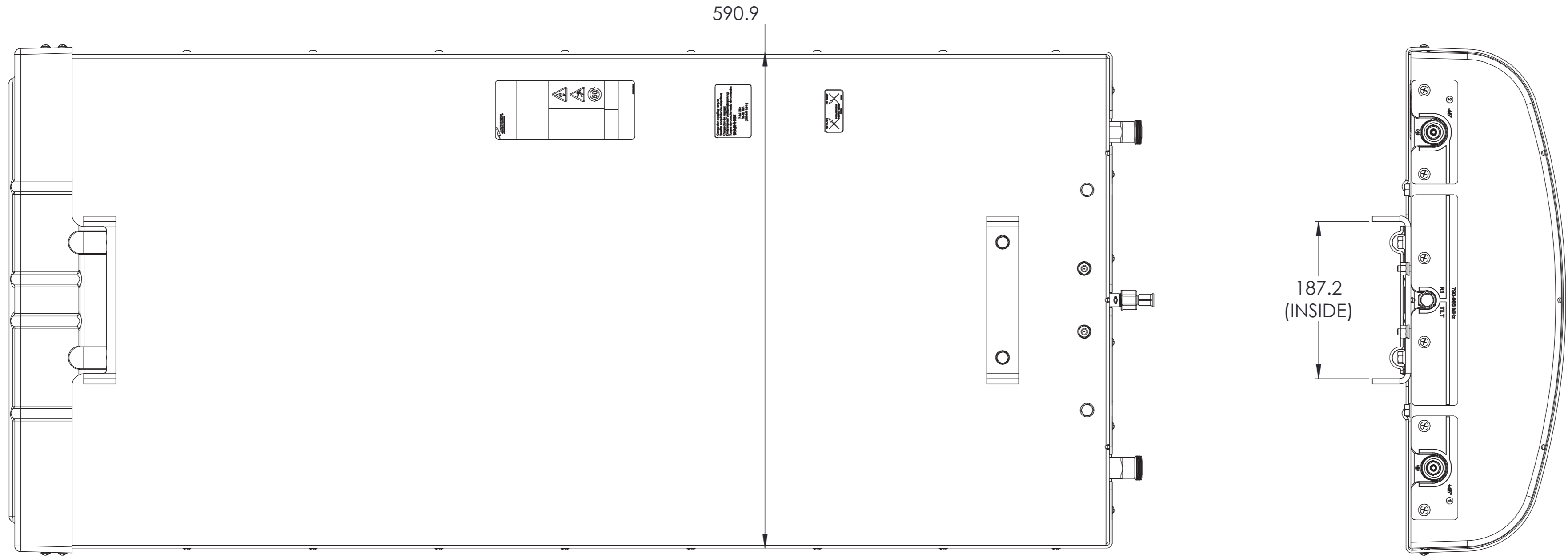
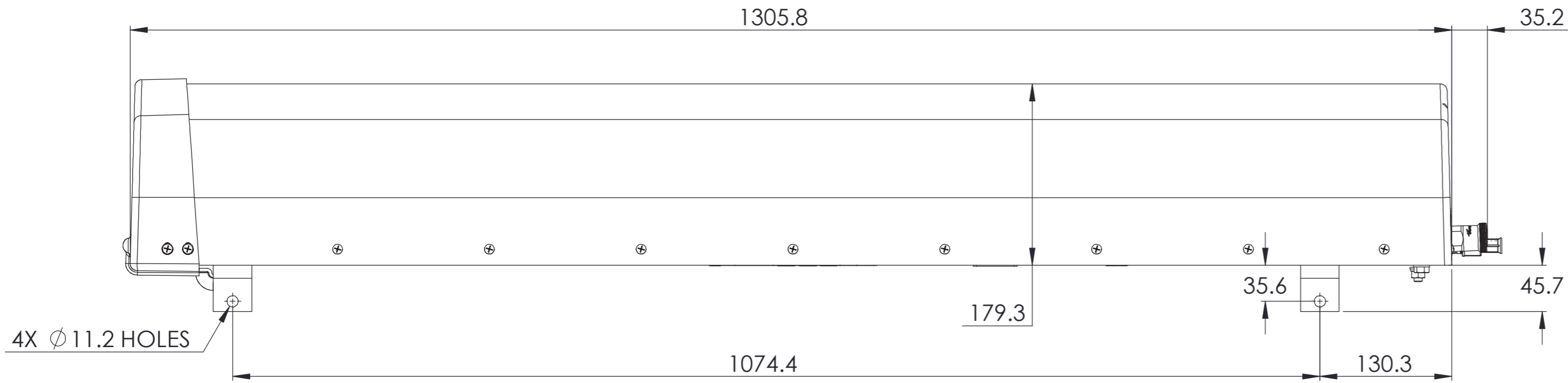


NOTES:

REVISIONS			
REV	DESCRIPTION	DATE	APP.
A	ECR 800000264: REL TO PRODUCTION.	01MAR13 LPY	GUXU/S.LIU
B	ECR 800005236: ADD DXF FILE.	28SEP14 QF	S.LIU/JIHE

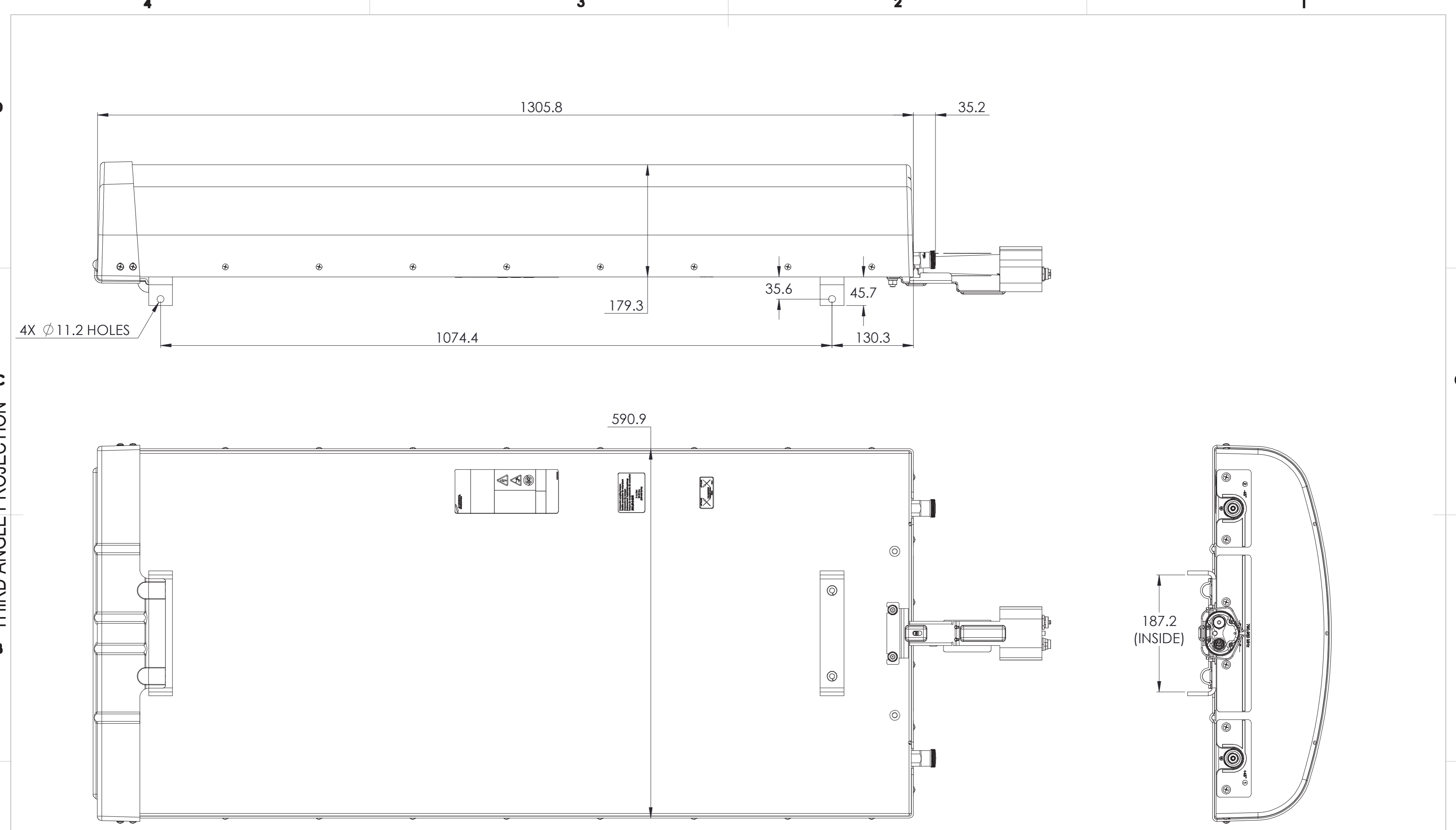


LDX-3316DS-VTM

CONFIDENTIAL

MATERIAL	DENSITY:	UNLESS OTHERWISE SPECIFIED DIMENSIONS ARE IN MILLIMETERS INTERPRET PER ISO STANDARDS HANDBOOK TECHNICAL DRAWINGS VOLUMES 1 & 2, THIRD EDITION (2002)	WESTCHESTER, IL. 60154 U.S.A.	
	MASS:			
FINISH	TOLERANCES		PRODUCT DRAWING	
	0 PLACE X ± 1 PLACE .X ± 2 PLACE .XX ± ANGLES ± ALL SURFACES ✓		THIRD ANGLE PROJECTION 	
DRAWN BY LPYANG 05MAR13		SIZE	CAGE CODE	DOCUMENT NO.
ECN 800005236-O		A2 84147		LDX-3316DS-VTM-L
AUTH. GROUP 23		MODEL		DRAWING
NOTICE: These drawings and specifications are the proprietary property of ANDREW CORPORATION and may be used only for the specific purpose authorized in writing by Andrew.		VERSION	STATUS	REVISION
		01	RE	B
		01	RE	B
				SHEET 1 OF 2

THIRD ANGLE PROJECTION



LDX-3316DS-A1M

CONFIDENTIAL

ANDREW[®] WESTCHESTER, IL. 60154
U.S.A.

PRODUCT DRAWING

THIRD ANGLE PROJECTION		SIZE	CAGE CODE	DOCUMENT NO.	VERSION	STATUS	REVISION	SHEET
		A2	84147	LDX-3316DS-VTM-L	01	RE	B	2 OF 2

NOTICE: These drawings and specifications are the proprietary property of ANDREW CORPORATION and may be used only for the specific purpose authorized in writing by Andrew.

D
C
B
A

D
C
B
A

4 3 2 THIRD ANGLE PROJECTION 1