

8

7

6

5

4

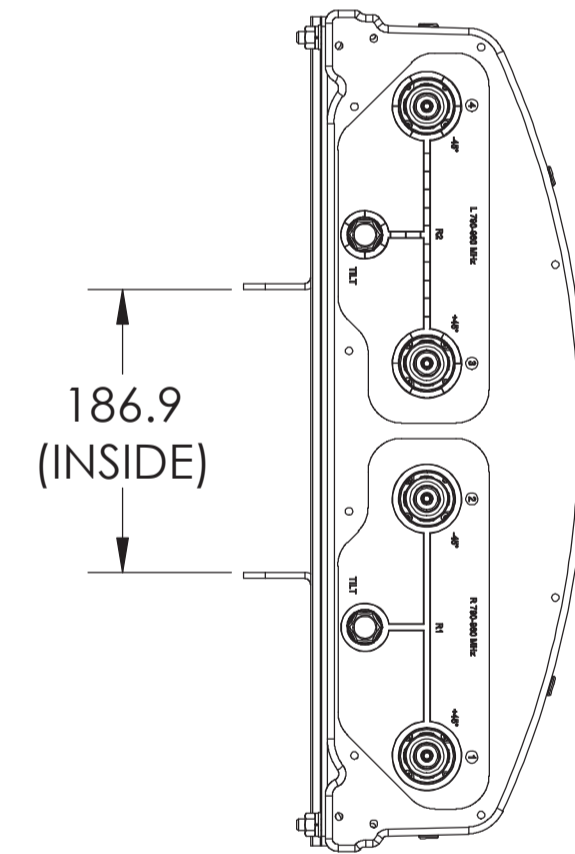
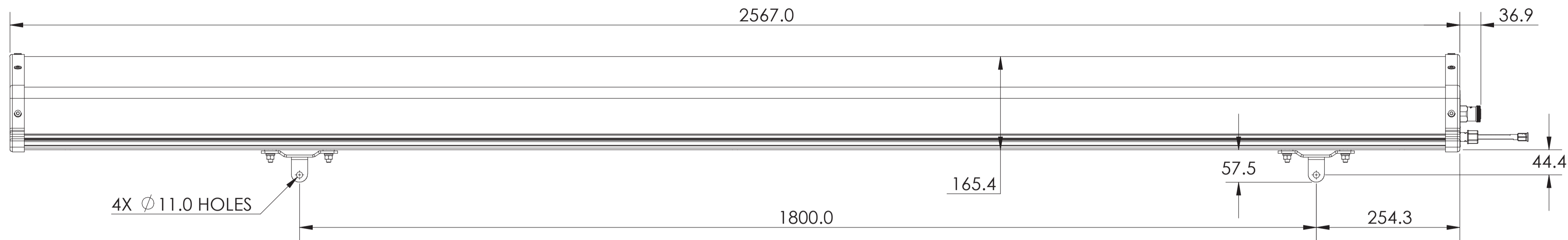
3

2

1

NOTES:

REVISIONS			
REV	DESCRIPTION	DATE	APPROVED
A	ECR 7006744: RELEASE TO PRODUCTION PER EAO 600480.	28JAN13 AD	S.LIU/GUXU
B	ECR 8000000402: ADD NEW LINK FOR LDXX-6516DST-VTM ON SHEET 1.	25MAR13 YMH	S.LIU/GUXU
C	ECR 8000000584: ADD LDXX-6516DST-A1M ON SHEET 3.	07MAY13 YR	S.LIU/JIHE
D	ECR 8000005285: ADD DXF FILE.	09OCT14 ZW	S.LIU/JIHE



LDXX-6516DS-VTM  
LDXX-6516DST-VTM

THIRD ANGLE PROJECTION

THIRD ANGLE PROJECTION

MATERIAL N/A	DENSITY: MASS:	UNLESS OTHERWISE SPECIFIED DIMENSIONS ARE IN MILLIMETERS INTERPRET PER ISO STANDARDS HANDBOOK, TECHNICAL DRAWINGS, VOLUMES 1 & 2, THIRD EDITION (2002)	WESTCHESTER, IL. 60154 U.S.A.	
FINISH N/A	TOLERANCES 0 PLACE X± 1 PLACE .X± 2 PLACE .XX± ANGLES ± ALL SURFACES ✓	THIRD ANGLE PROJECTION 	PRODUCT DRAWING	
DRAWN BY AD 28JAN13 ECN 8000005285-O		SIZE <b>A1 84147</b>	CAGE CODE 84147	DOCUMENT NO. LDXX-6516DS-VTM-L
NOTICE: These drawings and specifications are the proprietary property of ANDREW CORPORATION and may be used only for the specific purpose authorized in writing by Andrew.		AUTH. GROUP 23	MODEL	DRAWING
		VERSION 03	STATUS RE	REVISION D
		VERSION 04	STATUS RE	REVISION D
				SHEET 1 OF 3

8

7

6

3

2

1

D

C

B

A

8

7

6

5

4

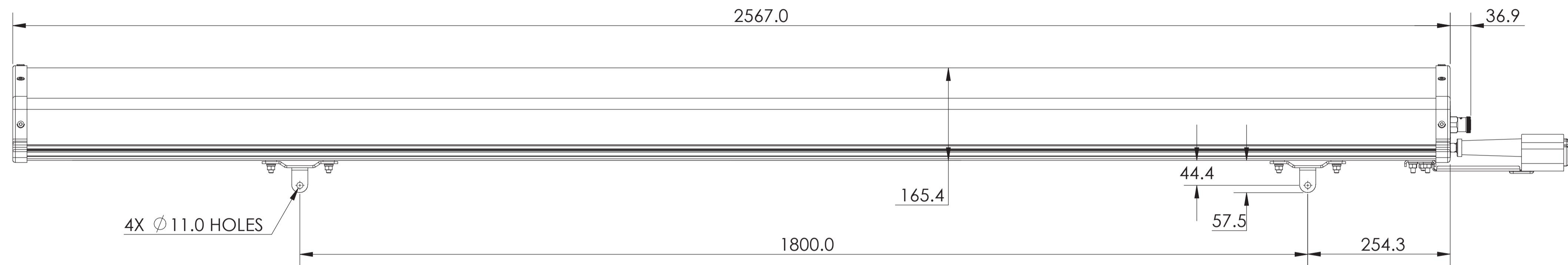
3

2

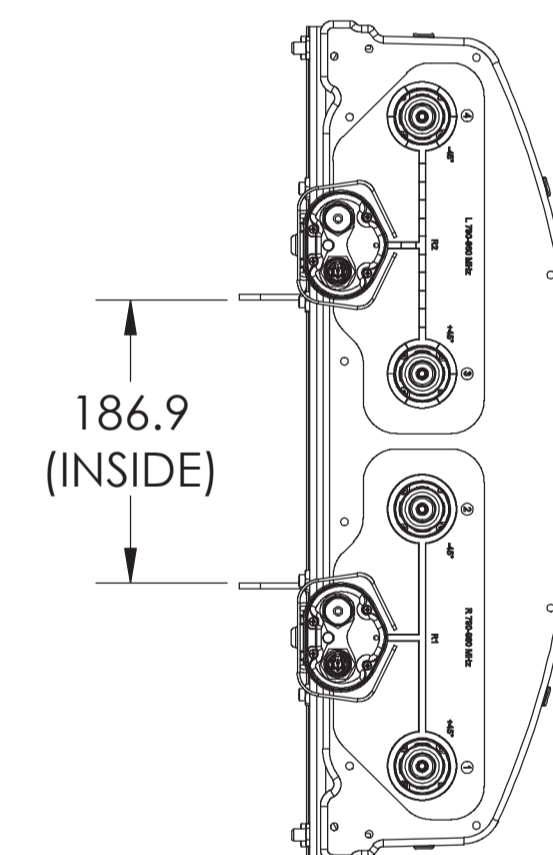
1

D

D



C



B

LDXX-6516DS-A2M  
LDXX-6516DS-R2M

A

A

**ANDREW** WESTCHESTER, IL. 60154  
U.S.A.

PRODUCT DRAWING

THIRD ANGLE PROJECTION



SIZE **A1** CAGE CODE **84147**

DOCUMENT NO. **LDXX-6516DS-VTM-L**

NOTICE: These drawings and specifications are the proprietary property of ANDREW CORPORATION and may be used only for the specific purpose authorized in writing by Andrew.

VERSION	STATUS	REVISION	SHEET
04	RE	D	2 OF 3

8

7

6

THIRD ANGLE PROJECTION

3

2

1

8

7

6

5

4

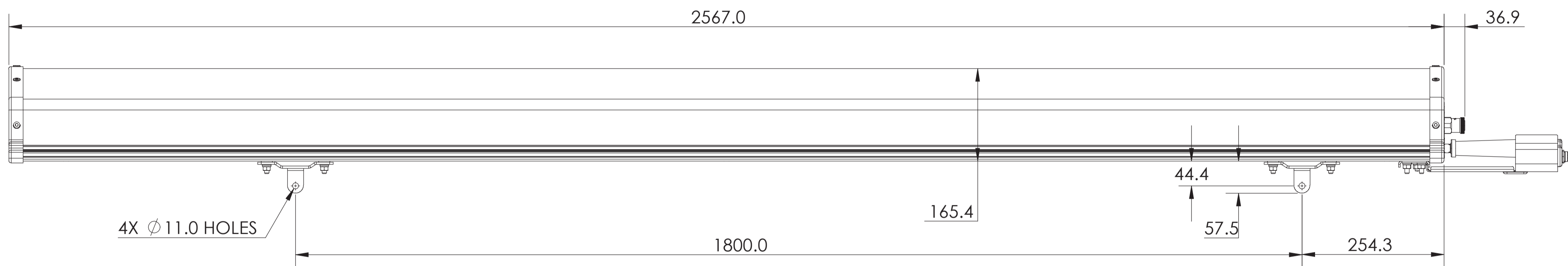
3

2

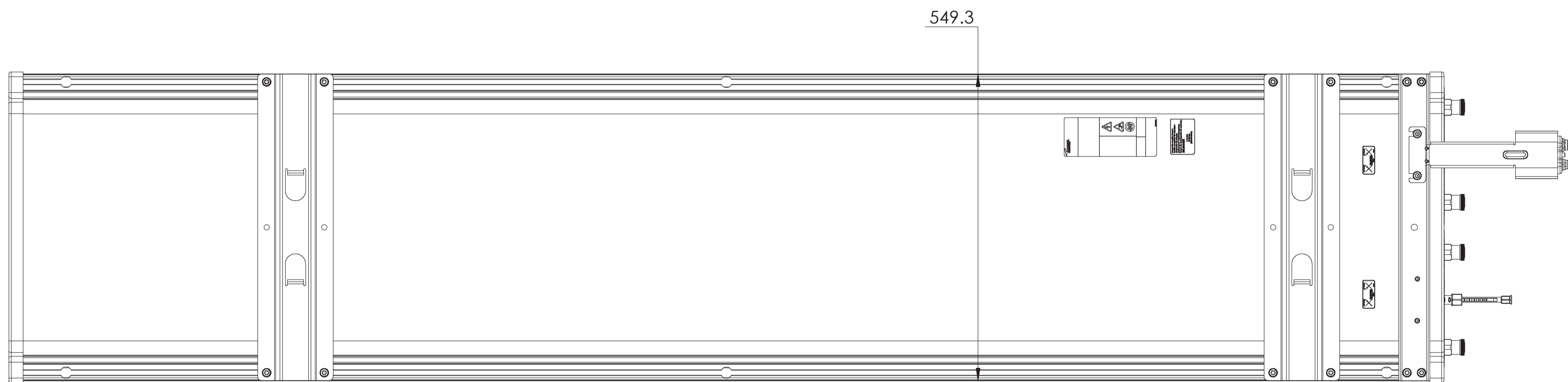
1

D

D



C



B

LDXX-6516DS-A1M  
LDXX-6516DST-A1M

A

A

THIRD ANGLE PROJECTION

8

7

6

3

2

1

**ANDREW** WESTCHESTER, IL. 60154  
U.S.A.

PRODUCT DRAWING

THIRD ANGLE PROJECTION



SIZE **A1 84147**

DOCUMENT NO. LDXX-6516DS-VTM-L

NOTICE: These drawings and specifications are the proprietary property of ANDREW CORPORATION and may be used only for the specific purpose authorized in writing by Andrew.

VERSION	STATUS	REVISION	SHEET
04	RE	D	3 OF 3