

1

2

3

4

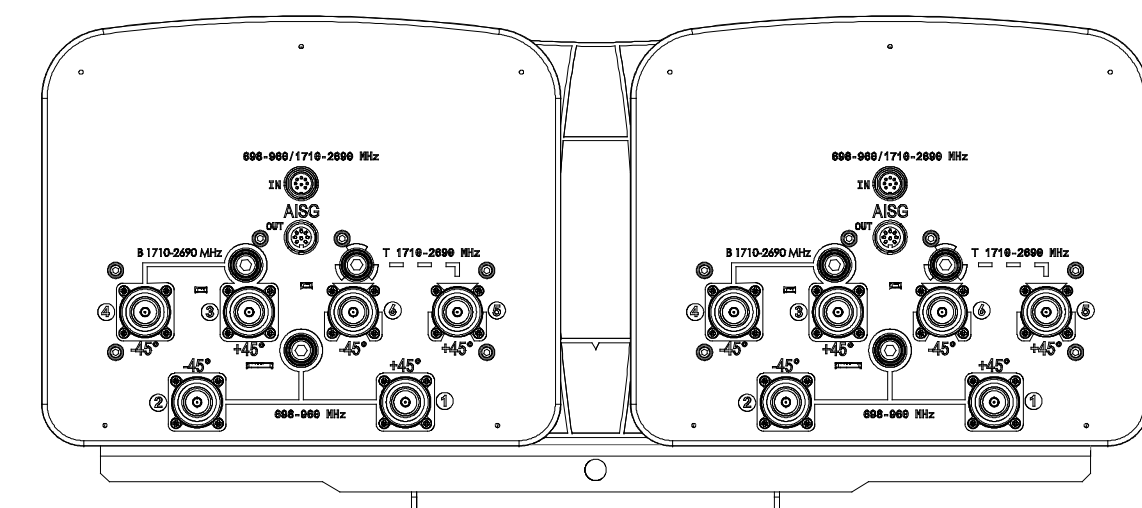
5

6

ZONE	REV	DESCRIPTION	DRAWN BY	DATE
	A	NEW	J. L	09/12/13

A

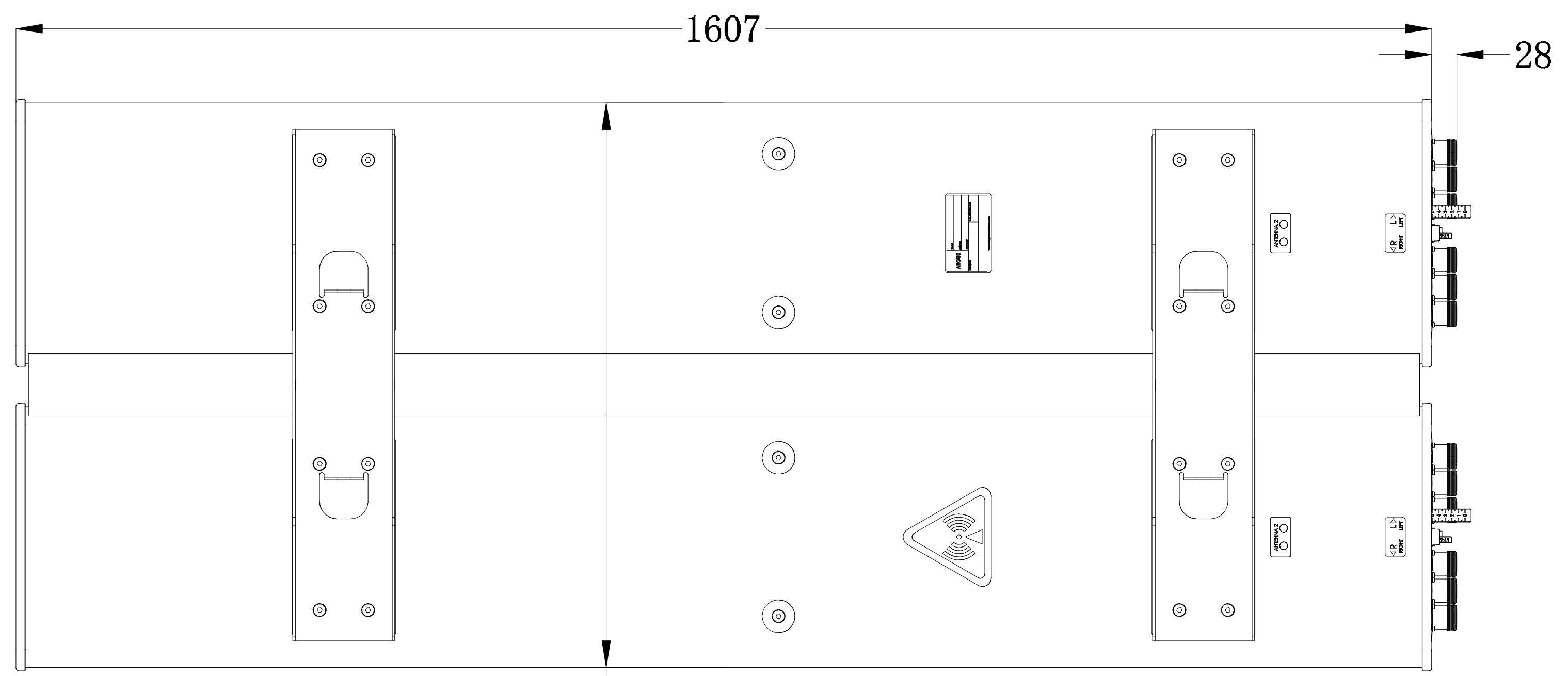
A



209.6 (INSIDE)

B

B



C

C

641

R2V4PX306R



COMMSCOPE®

CONFIDENTIAL

UNLESS OTHERWISE SPECIFIED DIMENSIONS ARE IN MILLIMETRES. TOLERANCES ARE: 0 - 20 ±0.1 HOLE □ ±0.5 >20-100 ±0.2 HOLE ⊕ ±0.5 >100-200 ±0.5 ANGULAR ±0.5° >200 ± 1 DRAWN TO AS1100	DESCRIPTION:	DWG REV
	PRODUCT DRAWING	A
	PART/DWG NUMBER:	DATE:
	R2V4PX306R-L	09/12/2013
MATERIAL:	3D MOD:	SCALE:
N/A		N. T. S
FINISH:	DRAWN:	SHEET 1 OF 1
N/A	J. L	

D

D

1

2

3

4

5

6