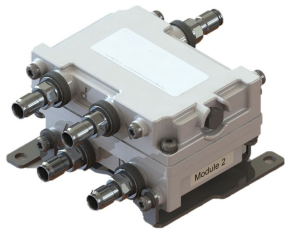


UDX1926T-N10 | E11F03P80



Ultra Compact Twin Diplexer PCS/AWS+WCS+BRS, DC on AWS/WCS /BRS, NEX10 Connectors

- Twin configuration
- Ideal for small cell applications
- BTS-to-feeder and feeder-to-antenna application
- DC/AISG pass on 1695-1780/2110-2700 MHz
- Industry leading PIM performance
- Full performance in a fraction of the size

Product Classification

Product Type Diplexer

General Specifications

Color Gray

Common Port Label COM

Modularity 2-Twin

RF Connector Interface NEX10 Female

RF Connector Interface Body Style Long neck

Dimensions

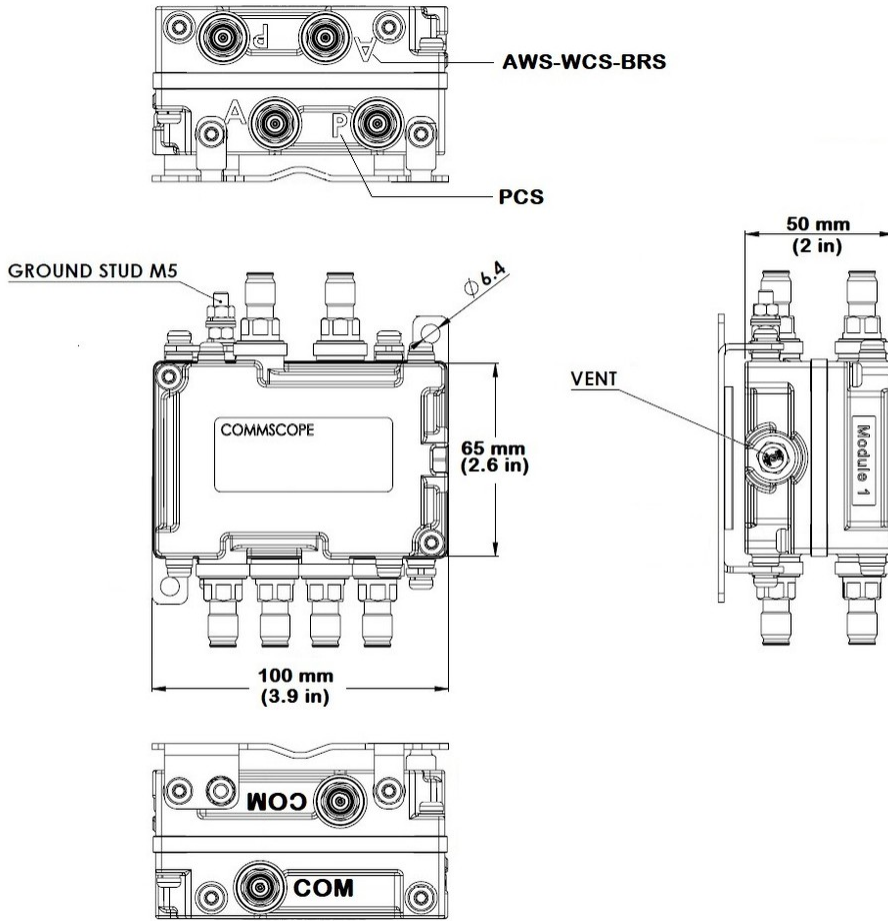
Height 65 mm | 2.559 in

Width 100 mm | 3.937 in

Depth 50 mm | 1.969 in

Outline Drawing

UDX1926T-N10 | E11F03P80



Electrical Specifications

Impedance	50 ohm
License Band, Band Pass	AWS 1700 AWS 2000 IMT 2600 PCS 1900 TDD 1900 TDD 2300 TDD 2600 WCS 2300

Electrical Specifications, dc Power/Alarm

dc/AISG Pass-through Method	Factory set
dc/AISG Pass-through Path	Branch 2
dc/AISG Pass-through, combiner	Branch 2
dc/AISG Pass-through, demultiplexer	Branch 2
Lightning Surge Current	5 kA
Lightning Surge Current Waveform	8/20 waveform

UDX1926T-N10 | E11F03P80

Voltage 10–30 Vdc

Electrical Specifications, AISG

AISG Carrier 2.176 MHz ± 100 ppm

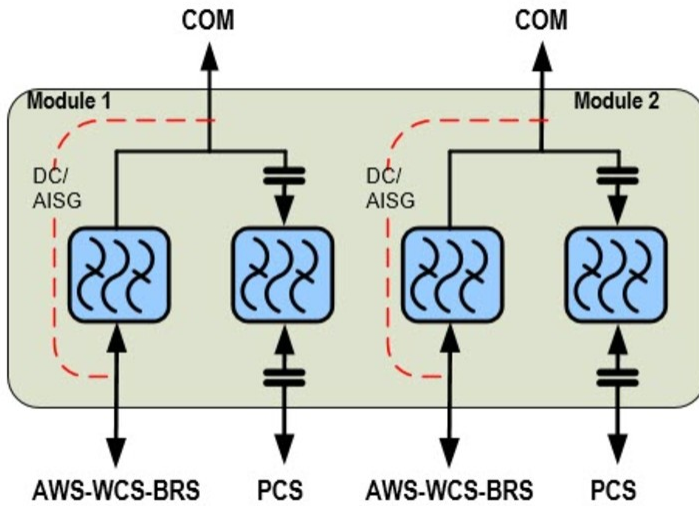
Electrical Specifications

Sub-module	1 2	1 2
Branch	1	2
Port Designation	PCS	AWS-WCS-BRS
License Band	PCS 1900, Band Pass	WCS 2300, Band Pass AWS 1700, Band Pass TDD 2300, Band Pass TDD 2600, Band Pass IMT 2600, Band Pass

Electrical Specifications, Band Pass

Frequency Range, MHz	1850-1995	1695-1780 2110-2700
Insertion Loss, typical, dB	0.25	0.2
Total Group Delay, maximum, ns	13	8
Return Loss, minimum, dB	20	20
Isolation, minimum, dB	35	35
Input Power, RMS, maximum, W	100	100
Input Power, PEP, maximum, W	1500	1500
3rd Order PIM, maximum, dBc	-155	-155
3rd Order PIM Test Method	2 x 20 W CW tones	2 x 20 W CW tones

Block Diagram



Material Specifications

Finish Painted

Mechanical Specifications

Wind Loading @ Velocity, frontal 7.0 N @ 150 km/h (1.6 lbf @ 150 km/h)

Wind Loading @ Velocity, lateral 2.0 N @ 150 km/h (0.4 lbf @ 150 km/h)

Environmental Specifications

Operating Temperature -40 °C to +65 °C (-40 °F to +149 °F)

Relative Humidity Up to 100%

Ingress Protection Test Method IEC 60529:2001, IP67

Packaging and Weights

Included Mounting hardware

Mounting Hardware Weight 0.1 kg | 0.22 lb

Volume 0.325 L

Weight, without mounting hardware 0.7 kg | 1.543 lb