

8

7

6

5

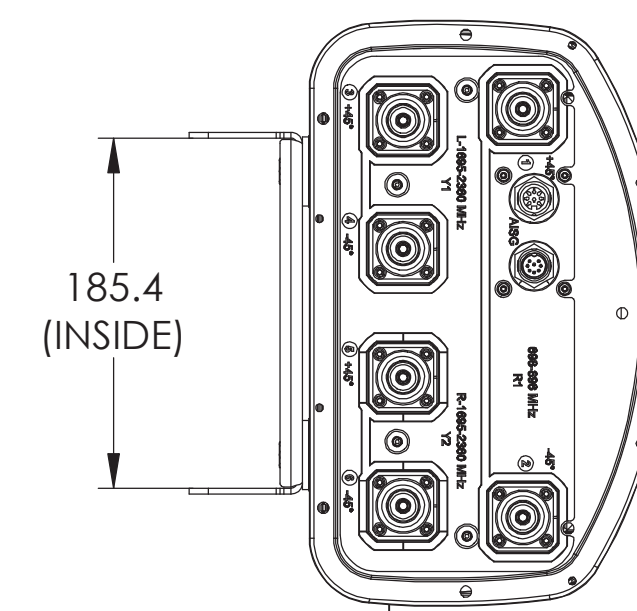
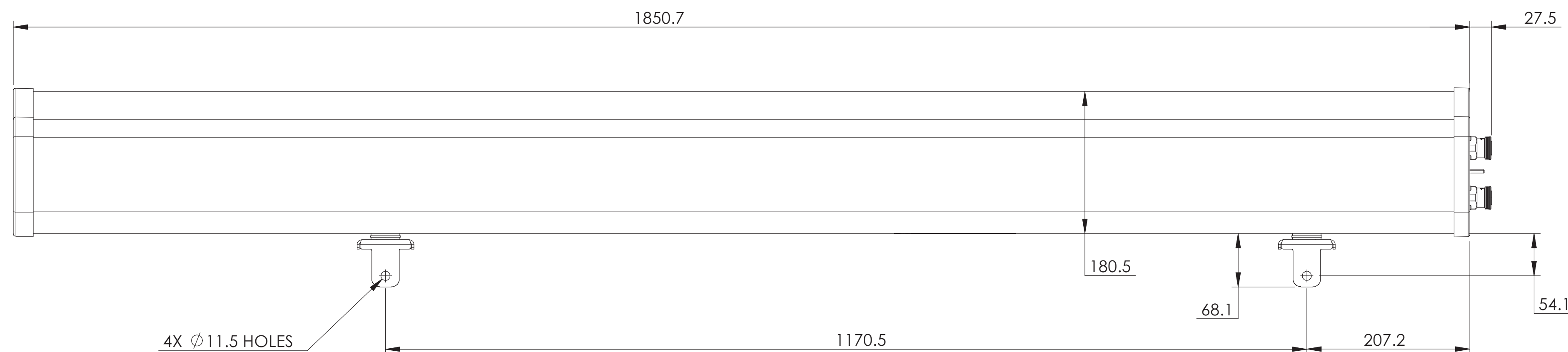
4

3

2

1

REVISIONS			
REV	DESCRIPTION	DATE	APPROVED
A	RELEASE TO PRODUCTION	24JUL13	JLS GJM JCV
D	ECR 800005761: ADD SBNHH-1D65B-SR.	13NOV14 XHX	S.LIU/JIHE
E	ECR 800006971: UPDATE DRAWING WITH LATEST MODEL.	28FEB15 HWW	EB/GD
F	ECR 800007099: UPDATE DRAWING WITH LATEST MODEL.	23MAR15 YMH	S.LIU/JIHE
G	ECR 800008550: UPDATE DRAWING WITH LATEST MODEL.	24JUN15 YMH	S.LIU/JIHE



SBNHH-1D65B
 SBNHH-1D65B .TMO
 SBNHH-1D65B-SR

MATERIAL N/A	DENSITY: N/A	UNLESS OTHERWISE SPECIFIED DIMENSIONS ARE IN MILLIMETERS INTERPRET PER ISO STANDARDS HANDBOOK, TECHNICAL DRAWINGS, VOLUMES 1 & 2, THIRD EDITION (2002)	WESTCHESTER, IL. 60154 U.S.A.	
	MASS: N/A		ANDREW®	
FINISH N/A	TOLERANCES		THIRD ANGLE PROJECTION	
	0 PLACE X±	1 PLACE .X±	2 PLACE .XX±	ANGLES ±
ALL SURFACES ✓		DRAWN BY JLS 10MAY13	SIZE A1	CAGE CODE 84147
NOTICE: These drawings and specifications are the proprietary property of ANDREW CORPORATION and may be used only for the specific purpose authorized in writing by Andrew.		ECN 800008550-O	AUTH. GROUP 23	DOCUMENT NO. SBNHH-1D65B-L
		VERSION 10	STATUS RE	REVISION L 06
		DRAWING STATUS RE		REVISION G
		SHEET 1 OF 1		

8

7

6

5

4

3

2

1