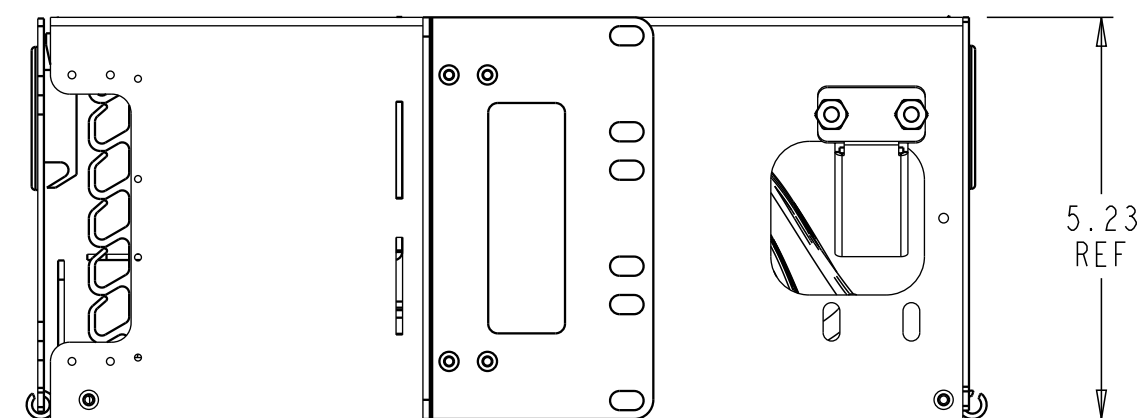
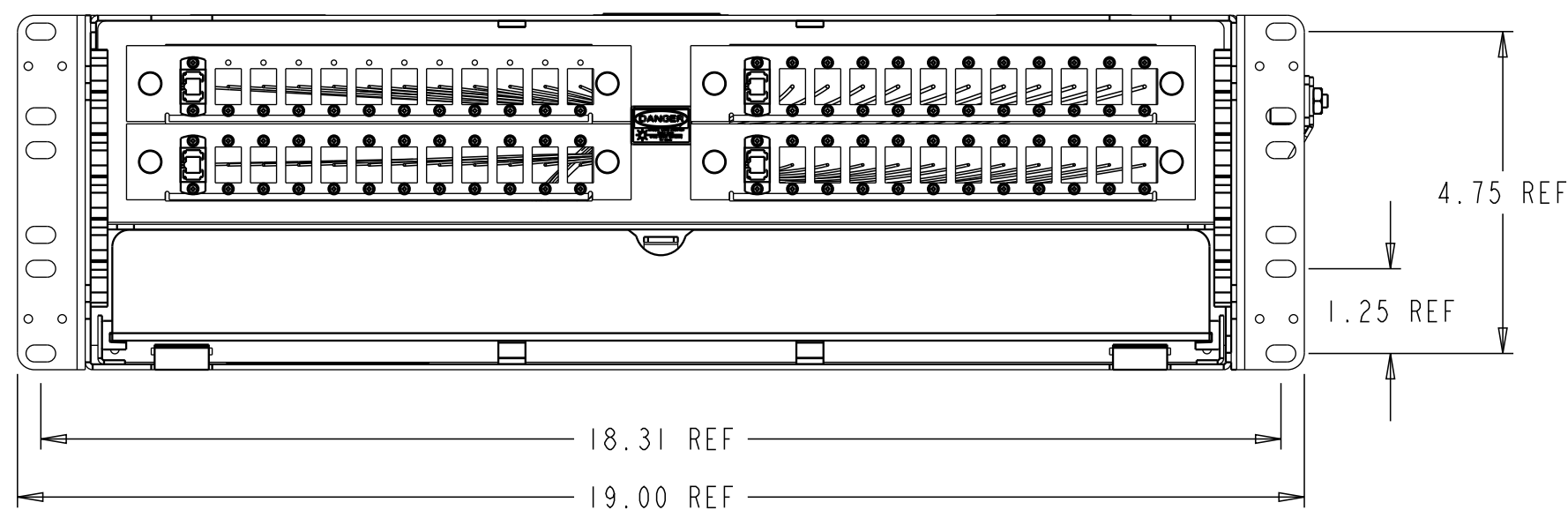
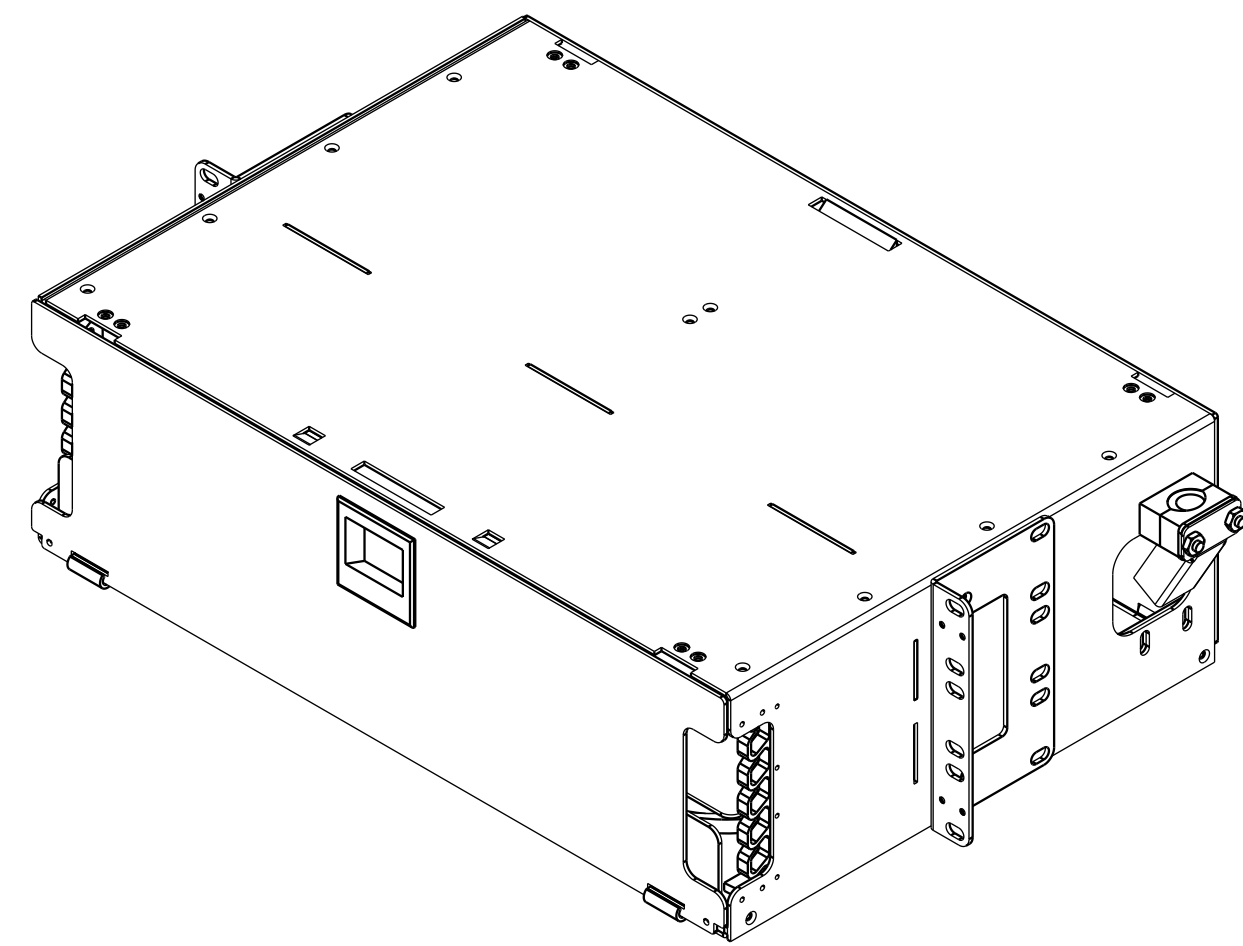
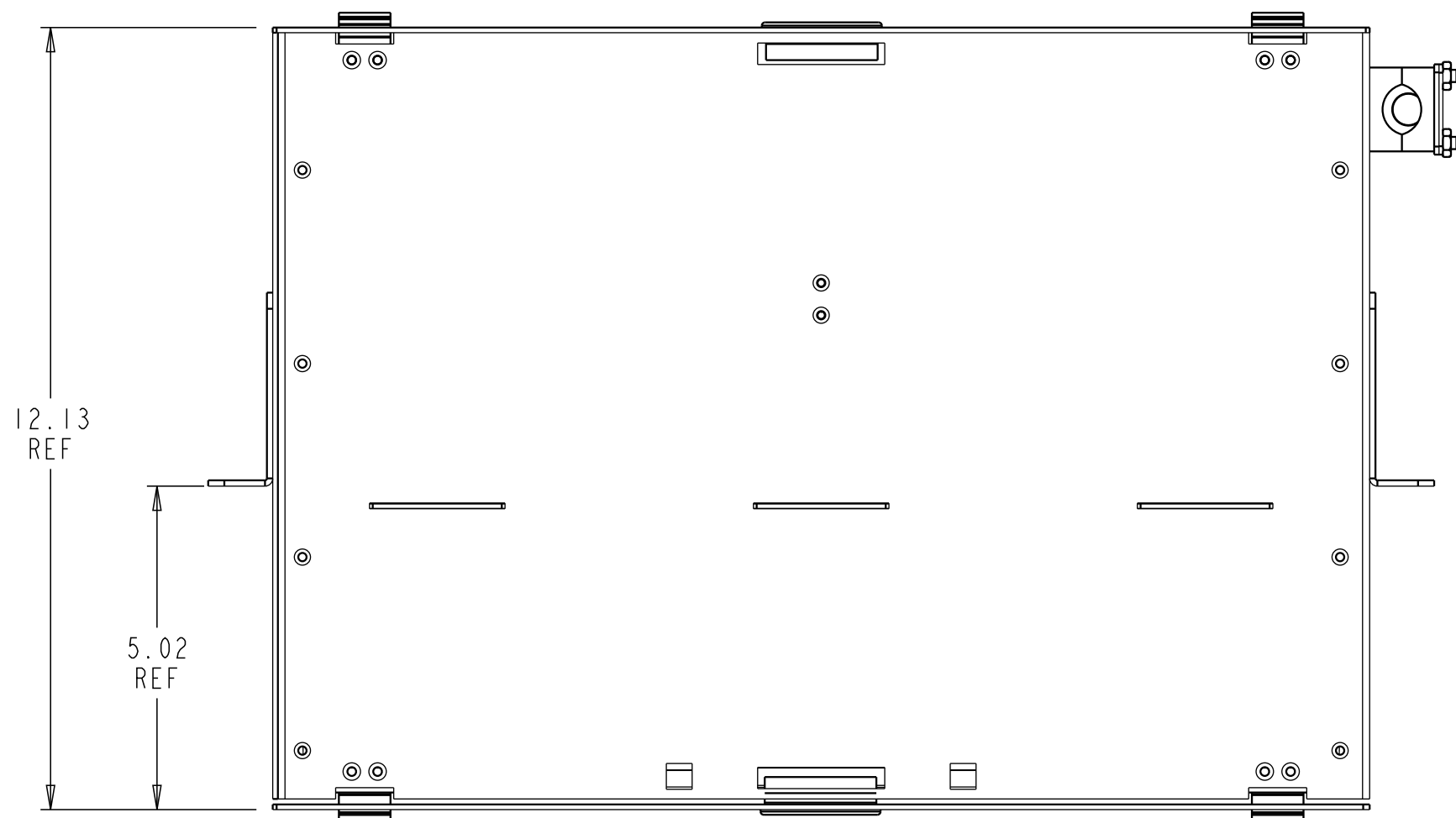


REV	MCO	DWN	DATE
A	20337758	DHV	13-MAR-13
C	40032679MCO	IAV	03-AUG-16



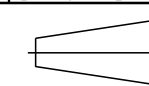
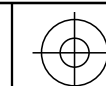
NOTES:

1. LSX 2RU 48 POS SHOWN FOR REFERENCE. COMBINATIONS OF CABLE, ADAPTER TYPES, AND LOADING CONFIGURATION AVAILABLE
2. CABLE CLAMP BRACKET IS INCLUDED WITH UNIT.

FRONT VIEW WITHOUT DOOR

COMMSCOPE, INC.

<small>© 2016 COMMSCOPE, INC. CONFIDENTIAL NOTICE: THESE DRAWINGS AND SPECIFICATIONS ARE THE PROPRIETARY PROPERTY OF COMMSCOPE, INC. AND MAY BE USED ONLY FOR THE SPECIFIC PURPOSE AUTHORIZED IN WRITING BY COMMSCOPE, INC.</small>		TITLE LSX-2RU INSTALLATION DRW	
<small>ALL DIMS AND TOLERANCES ARE INCHES UNLESS OTHERWISE SPECIFIED</small>	<small>.XX:±N/A .XXX:±N/A ANGULAR:±N/A</small>	C SIZE DRAWING NUMBER 300001772833	C REV
DO NOT SCALE DRAWING		ENGR: DANIEL E. HERRERA DWN: DANIEL E. HERRERA	SHT. 1 OF 1



DIMENSIONS IN INCHES
THIRD ANGLE PROJECTION