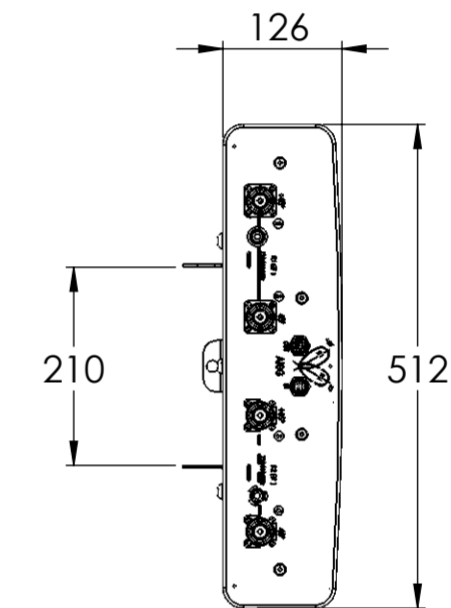
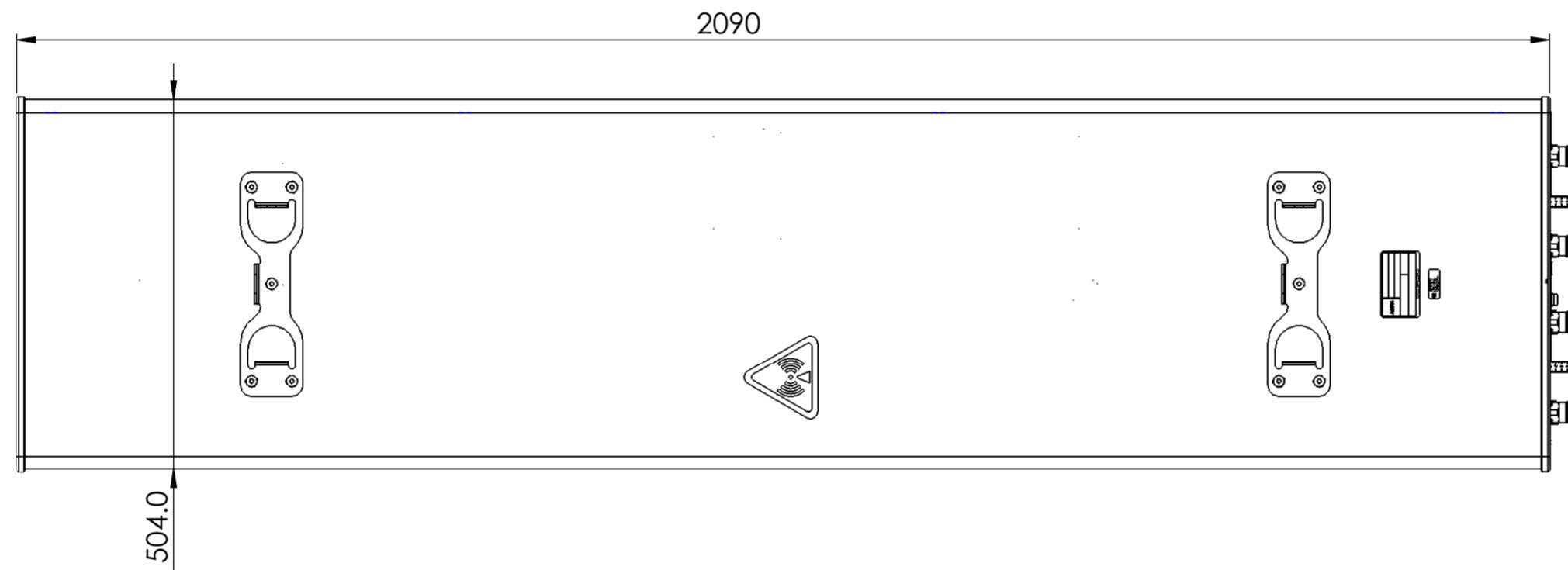
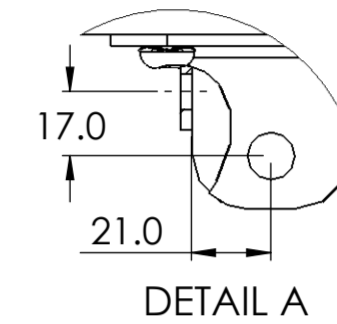
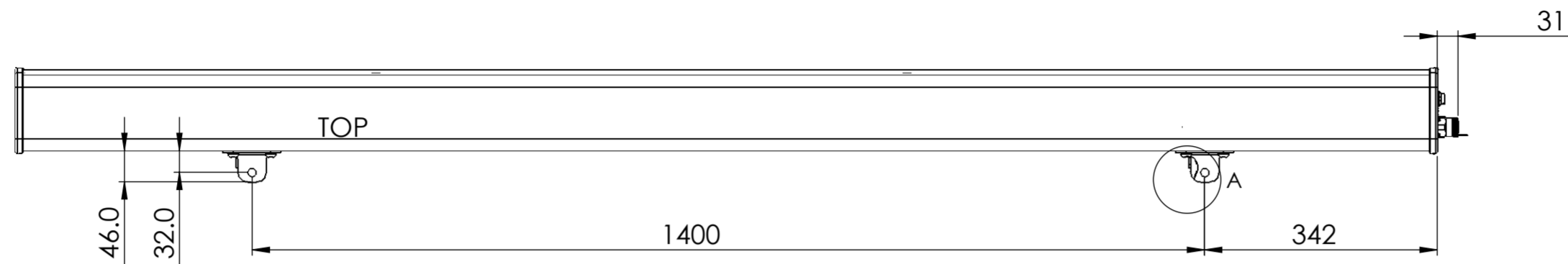


REVISIONS		
REV.	DESCRIPTION	DATE
A	8000011338	FIRST ISSUE
		14-Dec-15



COMMSCOPE, INC. OF NORTH CAROLINA

TOLERANCES		SAP MATERIAL MASTER
0 PLACE X ± 3	2 PLACE .XX ± 0.25	
1 PLACE .X ± 1	ANGLES ± 0.5°	
FINISH	MATERIAL	

NAME	DATE	TITLE
CE W.S	14/12/2015	PRODUCT DRAWING
RW SL1039	01/05/2016	
RV		
AD ZHHCHEN	01/06/2016	
RE ZHHCHEN	01/06/2016	
ECN 000007017490		SCALE 1:8
		DOCUMENT NO. 2CPX208R-V3 -L

DENSITY	g/mm ³
MASS	32500 grams
VOLUME	mm ³
SURFACE AREA	mm ²
HEIGHT	
LENGTH	
WIDTH	

SIZE	WORK AREA	23	MODEL			DRAWING			SHEET
A2			VERSION	STATUS	REVISION	VERSION	STATUS	REVISION	1 OF 1
			00	RE	A	00	RE	A	

UNLESS OTHERWISE SPECIFIED
DIMENSIONS ARE IN MILLIMETERS
INTERPRET PER ISO STANDARDS
HANDBOOK TECHNICAL DRAWINGS
VOLUMES 1 & 2, THIRD EDITION (2002)