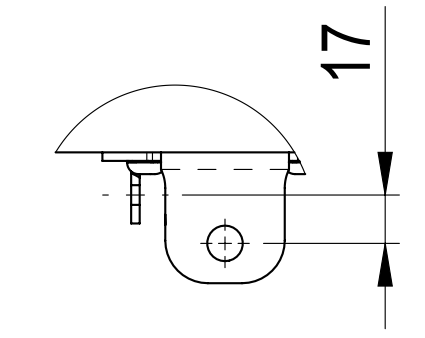
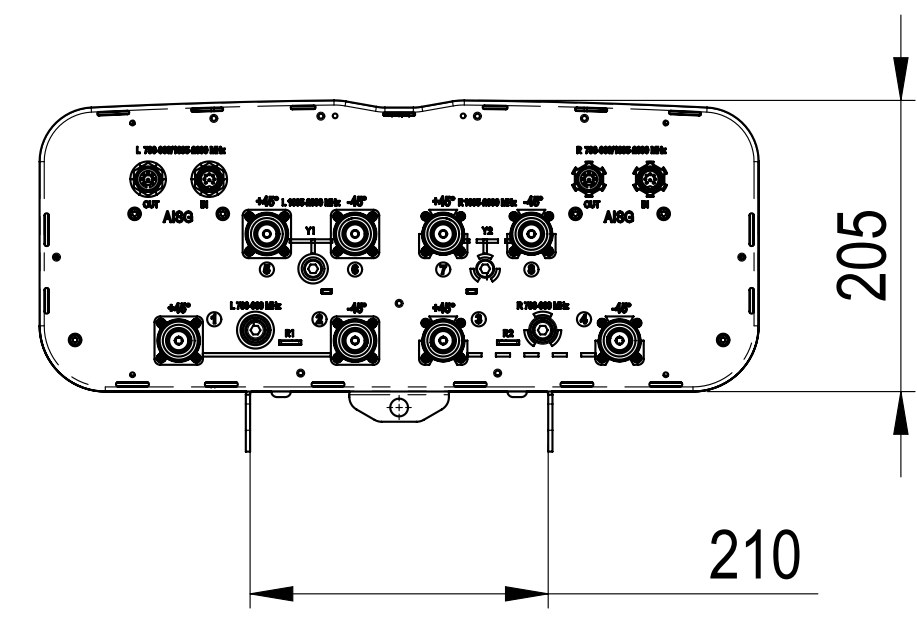
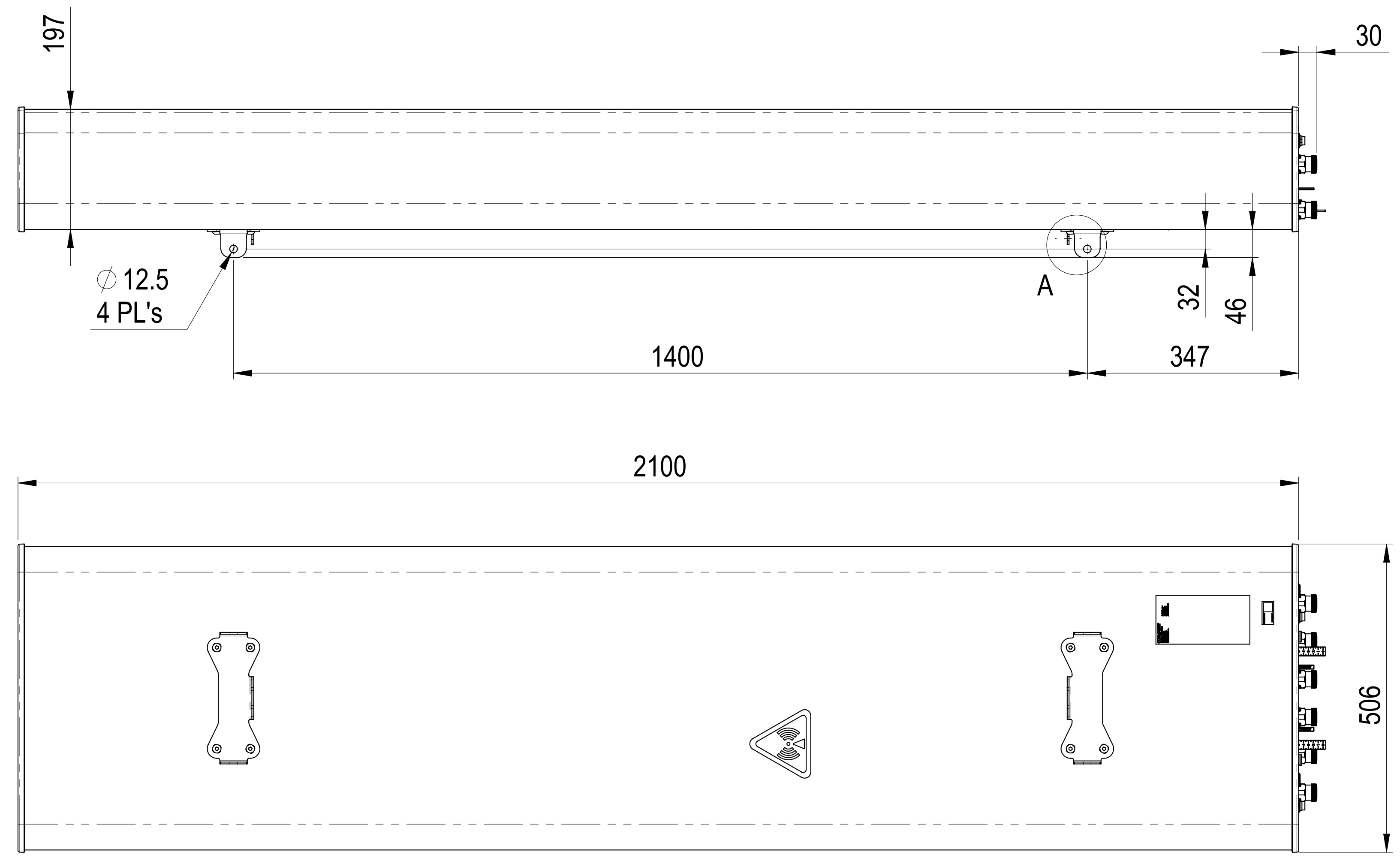


REVISIONS		
REV.	DESCRIPTION	DATE
A	INITIAL RELEASE	04/12/15



DETAIL A  
SCALE 1 : 5

COMMSCOPE, INC. OF NORTH CAROLINA

TOLERANCES		SAP MATERIAL MASTER
0 PLACE	$x \pm 0.5$	2 PLACE $.xx \pm 0.1$
1 PLACE	$.x \pm 0.2$	ANGLES $\pm 0.5$
FINISH	MATERIAL	
N/A	N/A	
COLOUR:		

DENSITY		g/mm <sup>3</sup>
MASS	39000	grams
VOLUME	N/A	mm <sup>3</sup>
SURFACE AREA		mm <sup>2</sup>
HEIGHT		
LENGTH		
WIDTH		

UNLESS OTHERWISE SPECIFIED DIMENSIONS ARE IN MILLIMETERS INTERPRET PER ISO STANDARDS HANDBOOK TECHNICAL DRAWINGS, VOLUMES 1 & 2, THIRD EDITION (2002)		NAME	DATE	TITLE
CE	W.S	04/12/15	PRODUCT DRAWING	
RW			SCALE	DOCUMENT NO.
RV			1:10	CCVVPX308.11R2-L
AD			SIZE	WORK AREA
RE			A3	
ECN	8000011494		VERSION	STATUS
			REVISION	REVISION
			VERSION	STATUS
			REVISION	REVISION
				SHEET
				1 OF 1