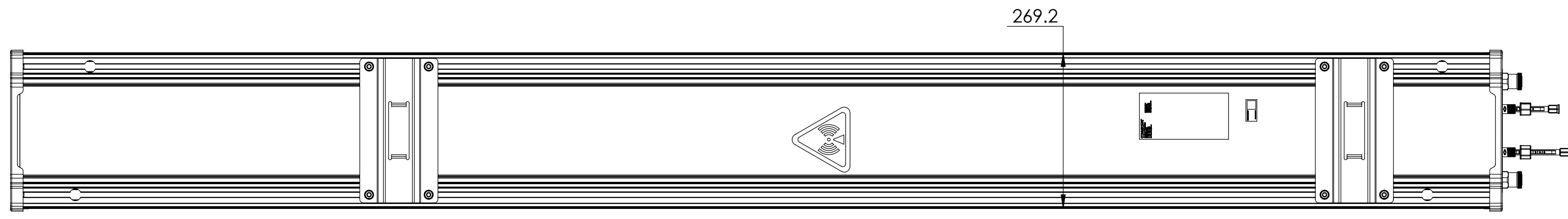
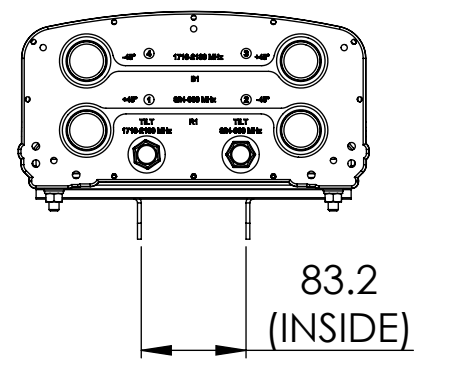
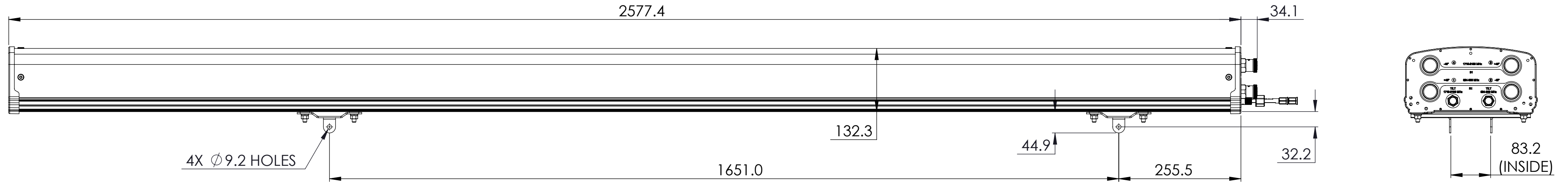


NOTES:

REVISIONS			
REV	DESCRIPTION	DATE	APPROVED
A	ECR 5075032: REL TO PRODUCTION. EE: PB ME: AP	7SEP07 Y.Y	PB
P	ECR 8000004982: UPDATE DRAWING.	02SEP14 ZW	S.LIU/JIHE
R	ECR 8000005698: ADD DXF FILE.	18NOV14 ZW	S.LIU/JIHE
T	ECR 8000006070: UPDATE DRAWING WITH LATEST MODEL.	15DEC14 QF	S.LIU/JIHE
U	ECR 8000012291: UPDATE DRAWING WITH LATEST MODEL.	18FEB16 HWW	S.LIU/JIHE



DBXTH-6565C-VTM
 DBXLH-6565C-VTM
 DBXGH-6565C-VTM
 DBXLH-6565CT-VTM

MATERIAL N/A	DENSITY: MASS:	UNLESS OTHERWISE SPECIFIED DIMENSIONS ARE IN MILLIMETERS INTERPRET PER ISO STANDARDS HANDBOOK TECHNICAL DRAWINGS VOLUMES 1 & 2, THIRD EDITION (2002)	WESTCHESTER, IL. 60154 U.S.A.					
FINISH N/A	TOLERANCES 0 PLACE X ± 1 PLACE .X ± 2 PLACE .XX ± ANGLES ± ALL SURFACES ✓	THIRD ANGLE PROJECTION	PRODUCT DRAWING					
			DRAWN BY EL 05/02/07 ECN 8000012291-0	SIZE A2 CAGE CODE 84147 DOCUMENT NO. DBXTH-6565C-VTM-L				
NOTICE: These drawings and specifications are the proprietary property of ANDREW CORPORATION and may be used only for the specific purpose authorized in writing by Andrew.		AUTH. GROUP 23	MODEL	DRAWING	SHEET			
		VERSION 07	STATUS RE	REVISION H	VERSION 16	STATUS RE	REVISION U	SHEET 1 OF 4

THIRD ANGLE PROJECTION

THIRD ANGLE PROJECTION

4

3 THIRD ANGLE PROJECTION 2

1

4

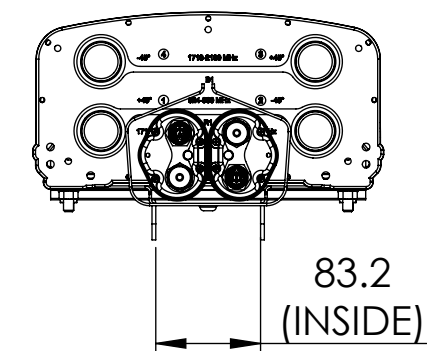
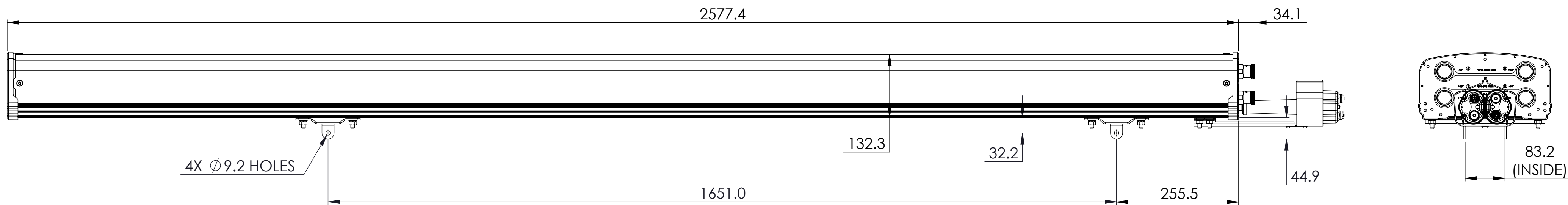
3

2

1

D

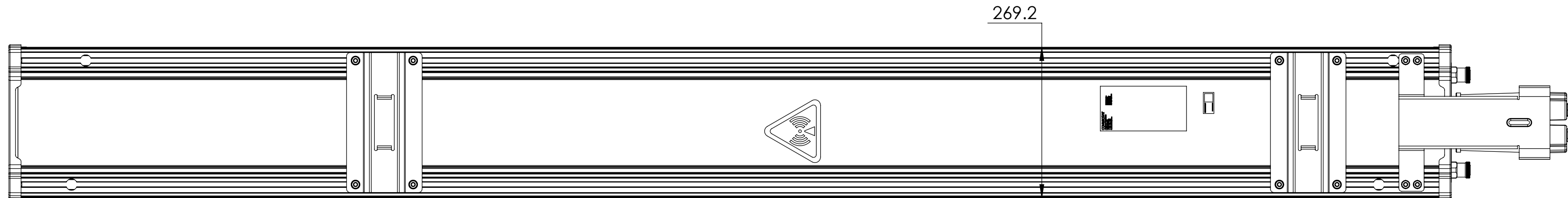
D



C

C

THIRD ANGLE PROJECTION



DBXTH-6565C-R2M
 DBXLH-6565C-R2M
 DBXGH-6565C-R2M
 DBXGH-6565C-A2M
 DBXLH-6565C-A2M
 DBXLH-6565C-E2M

A

A

ANDREW® WESTCHESTER, IL. 60154
 U.S.A.

PRODUCT DRAWING

THIRD ANGLE PROJECTION		SIZE	CAGE CODE	DOCUMENT NO.	VERSION	STATUS	REVISION	SHEET
		A2	84147	DBXTH-6565C-VTM-L	16	RE	U	2 OF 4

NOTICE: These drawings and specifications are the proprietary property of ANDREW CORPORATION and may be used only for the specific purpose authorized in writing by Andrew.

4

3

2

1

THIRD ANGLE PROJECTION

4

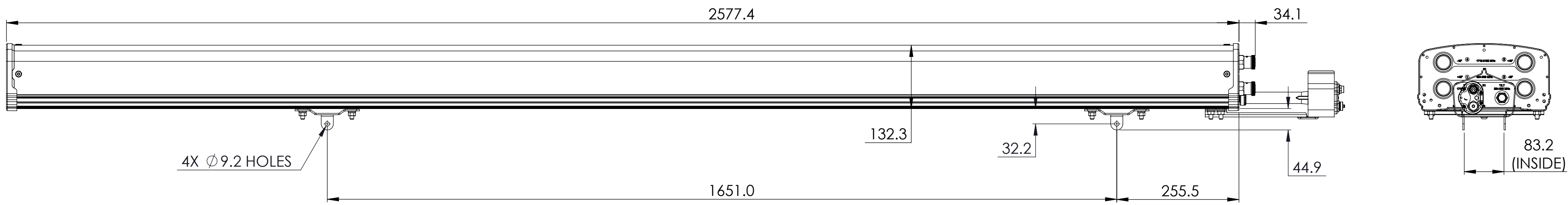
3

2

1

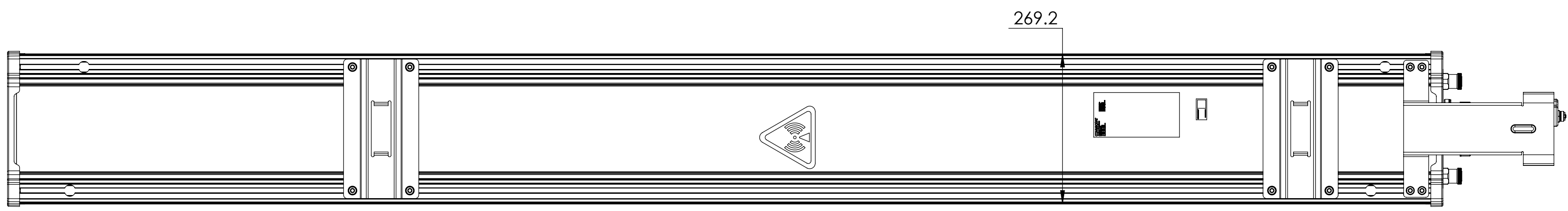
D

D



C

C



B

B

DBXLH-6565C-R3M
 DBXLH-6565C-E1M
 DBXLH-6565C-A1M
 DBXLH-6565C-R1M

A

A

ANDREW WESTCHESTER, IL. 60154
 U.S.A.

PRODUCT DRAWING

THIRD ANGLE PROJECTION		SIZE	CAGE CODE	DOCUMENT NO.
		A2	84147	DBXTH-6565C-VTM-L

NOTICE: These drawings and specifications are the proprietary property of ANDREW CORPORATION and may be used only for the specific purpose authorized in writing by Andrew.					VERSION	STATUS	REVISION	SHEET
					16	RE	U	3 OF 4

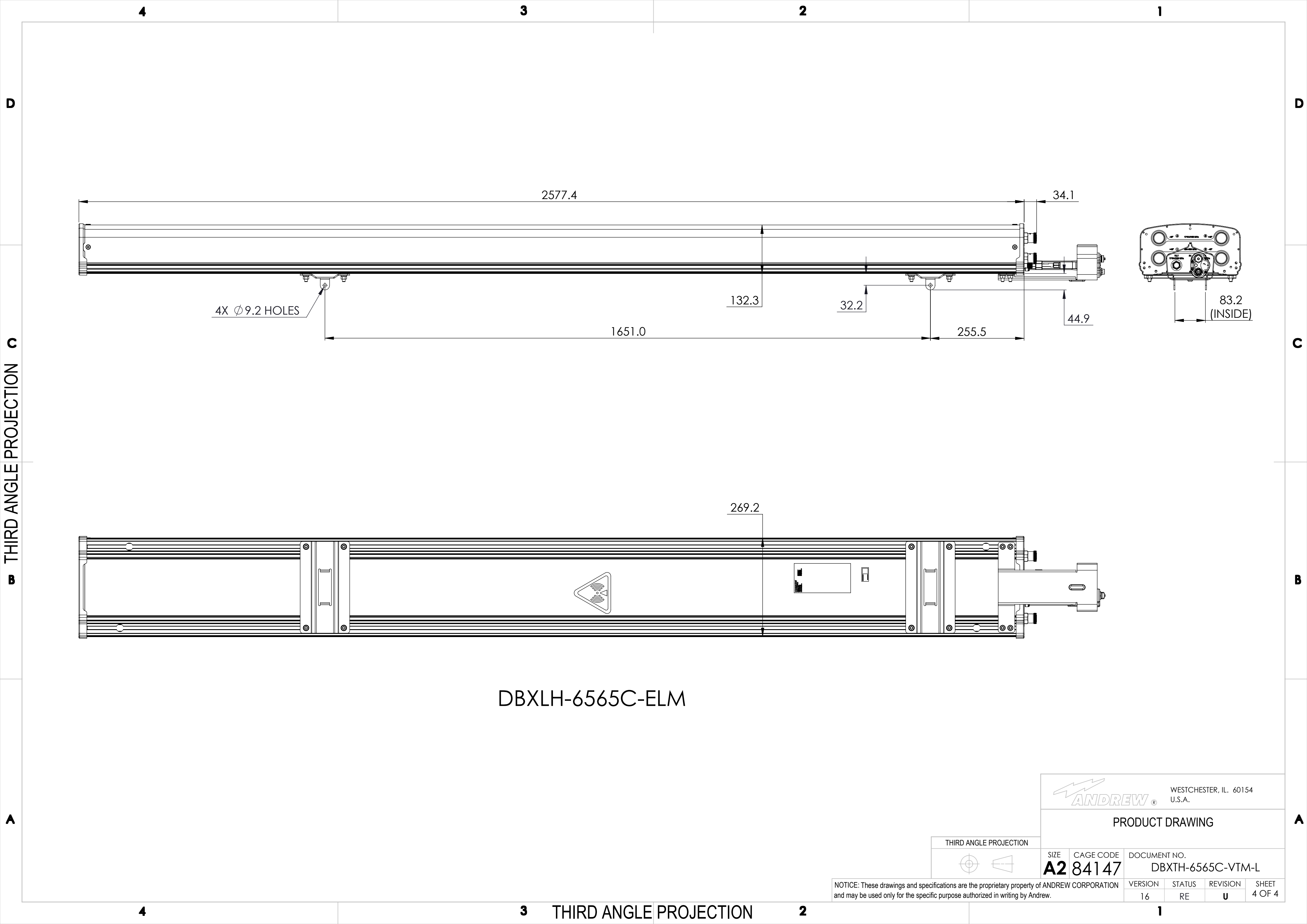
4

3

2

1

THIRD ANGLE PROJECTION



4X Ø9.2 HOLES

2577.4

34.1

132.3

32.2

1651.0

255.5

44.9

83.2
(INSIDE)

269.2

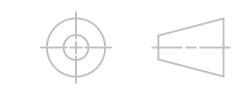
DBXLH-6565C-ELM



WESTCHESTER, IL. 60154
U.S.A.

PRODUCT DRAWING

THIRD ANGLE PROJECTION



SIZE
A2 84147

CAGE CODE
84147

DOCUMENT NO.
DBXTH-6565C-VTM-L

NOTICE: These drawings and specifications are the proprietary property of ANDREW CORPORATION and may be used only for the specific purpose authorized in writing by Andrew.

VERSION	STATUS	REVISION	SHEET
16	RE	U	4 OF 4