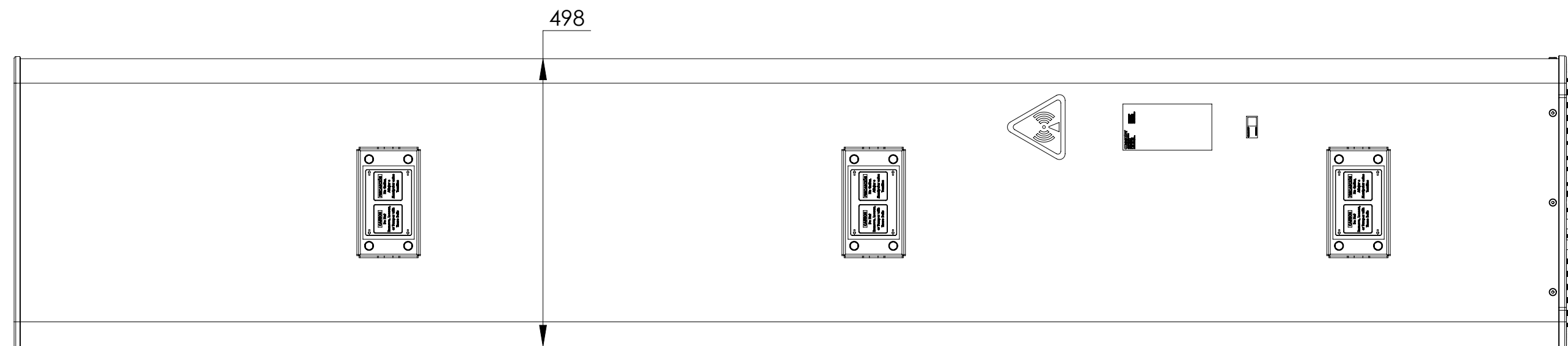
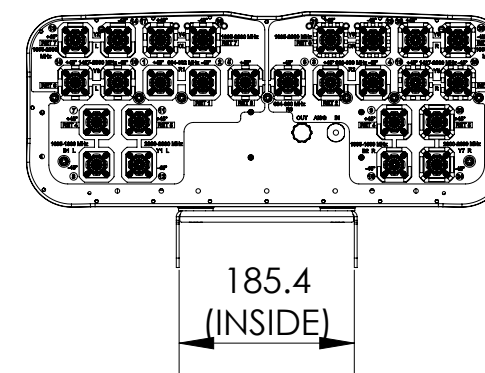
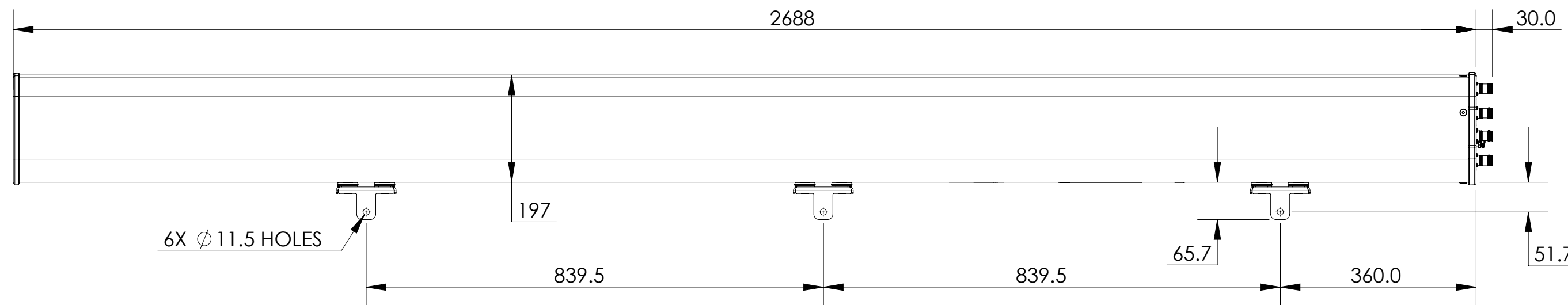


REVISIONS			
REV.	DESCRIPTION	DATE	APPROVED
A	ECR 8000031262: REL TO PRODUCTION PER EAO 605860.	17OCT18 YYC	XHT/YZLI



EGRZZHHTTV4-65D-R8

<b>COMMSCOPE, INC. OF NORTH CAROLINA</b>																																
TOLERANCES					SAP MATERIAL MASTER																											
0 PLACE X ±		2 PLACE .XX ±																														
1 PLACE .X ±		ANGLES ±																														
FINISH					MATERIAL																											
<b>ANT - 6LB, 20HB, 65DEG, 8RET</b>																																
<table border="1"> <thead> <tr> <th></th> <th>NAME</th> <th>DATE</th> <th>TITLE</th> </tr> </thead> <tbody> <tr> <td>CE</td> <td>YY1004</td> <td>10/17/2018</td> <td rowspan="6" style="text-align: center;"><b>ANT - 6LB, 20HB, 65DEG, 8RET</b></td> </tr> <tr> <td>RW</td> <td>YY1004</td> <td>12/16/2018</td> </tr> <tr> <td>RV</td> <td>XT1003</td> <td>12/18/2018</td> </tr> <tr> <td>AD</td> <td>FW1019</td> <td>12/19/2018</td> </tr> <tr> <td>RE</td> <td>BYUAN</td> <td>12/19/2018</td> </tr> <tr> <td>RE</td> <td>BYUAN</td> <td>12/19/2018</td> </tr> </tbody> </table>											NAME	DATE	TITLE	CE	YY1004	10/17/2018	<b>ANT - 6LB, 20HB, 65DEG, 8RET</b>	RW	YY1004	12/16/2018	RV	XT1003	12/18/2018	AD	FW1019	12/19/2018	RE	BYUAN	12/19/2018	RE	BYUAN	12/19/2018
	NAME	DATE	TITLE																													
CE	YY1004	10/17/2018	<b>ANT - 6LB, 20HB, 65DEG, 8RET</b>																													
RW	YY1004	12/16/2018																														
RV	XT1003	12/18/2018																														
AD	FW1019	12/19/2018																														
RE	BYUAN	12/19/2018																														
RE	BYUAN	12/19/2018																														
UNLESS OTHERWISE SPECIFIED DIMENSIONS ARE IN MILLIMETERS INTERPRET PER ISO STANDARDS HANDBOOK TECHNICAL DRAWINGS VOLUMES 1 & 2, THIRD EDITION (2002)					<table border="1"> <tr> <td>SCALE</td> <td>DOCUMENT NO.</td> </tr> <tr> <td><b>1:8</b></td> <td><b>EGRZZHHTTV4-65D-R8</b></td> </tr> </table>					SCALE	DOCUMENT NO.	<b>1:8</b>	<b>EGRZZHHTTV4-65D-R8</b>																			
SCALE	DOCUMENT NO.																															
<b>1:8</b>	<b>EGRZZHHTTV4-65D-R8</b>																															
DENSITY		g/mm <sup>3</sup>																														
MASS		grams																														
VOLUME		mm <sup>3</sup>																														
SURFACE AREA		mm <sup>2</sup>																														
HEIGHT																																
LENGTH																																
WIDTH																																
SIZE		WORK AREA 23			MODEL		DRAWING			SHEET																						
<b>A2</b>					VERSION	STATUS	REVISION	VERSION	STATUS	REVISION	1 OF 1																					
					00	RE	A	00	RE	A																						