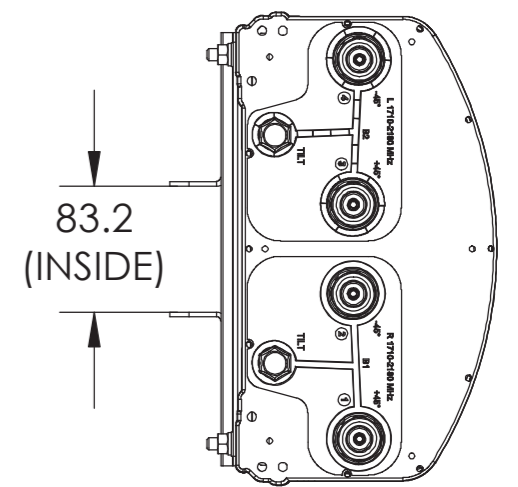
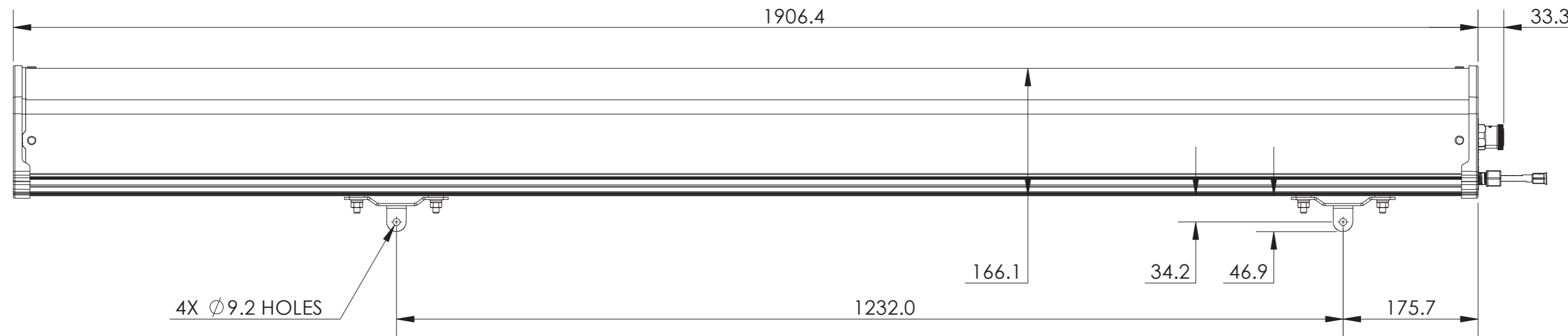


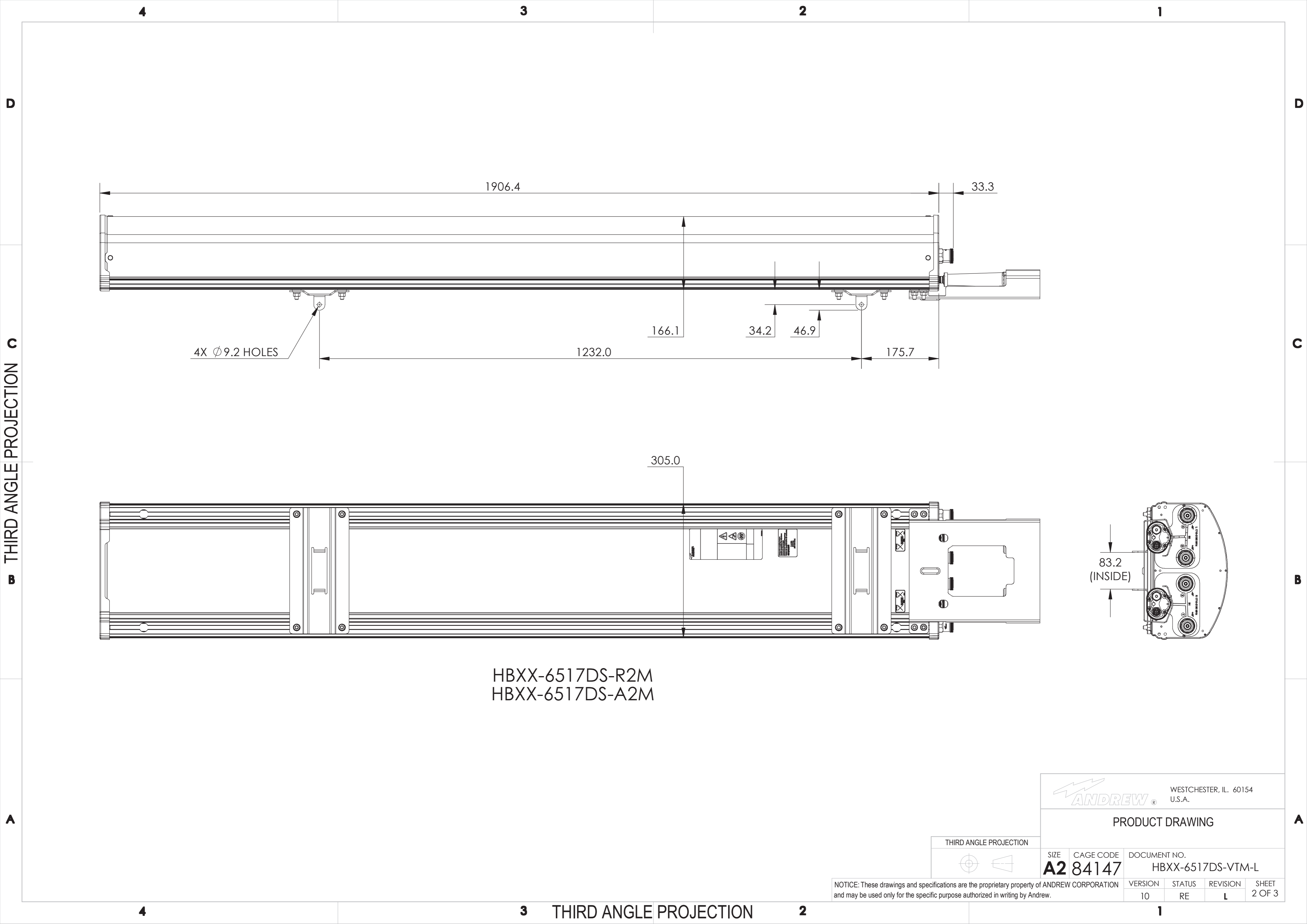
NOTES:

REVISIONS			
REV	DESCRIPTION	DATE	APPROVED
A	ECR 5083344: REL TO PRODUCTION. EE: MLZ ME: TV	21NOV08 TZ	TV/MLZ
H	ECR 8000001394: UPDATE DRAWING.	09SEP13 K.W	S.LIU/JIHE
J	ECR 8000002280: UPDATE DRAWING.	21JAN14 DYT	S.LIU/JIHE
K	ECR 8000005559: ADD DXF FILE.	27OCT14 QF	S.LIU/JIHE
L	ECR 8000006209: UPDATE DRAWING WITH LATEST MODEL.	25DEC14 AD	S.LIU/JIHE




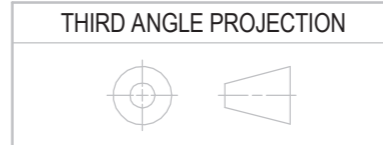
HBXX-6517DS-VTM
HBXX-6517DST-VTM

MATERIAL N/A	DENSITY:	UNLESS OTHERWISE SPECIFIED DIMENSIONS ARE IN MILLIMETERS INTERPRET PER ISO STANDARDS HANDBOOK TECHNICAL DRAWINGS VOLUMES 1 & 2, THIRD EDITION (2002)	WESTCHESTER, IL. 60154 U.S.A.	
	MASS:			
FINISH N/A	TOLERANCES		THIRD ANGLE PROJECTION	
	0 PLACE X ± 1 PLACE .X ± 2 PLACE .XX ± ANGLES ± ALL SURFACES ✓			
DRAWN BY TZ 21NOV08		SIZE	CAGE CODE	DOCUMENT NO.
ECN 8000006209-O		A2	84147	HBXX-6517DS-VTM-L
AUTH. GROUP 23		MODEL		DRAWING
NOTICE: These drawings and specifications are the proprietary property of ANDREW CORPORATION and may be used only for the specific purpose authorized in writing by Andrew.		VERSION	STATUS	REVISION
		09	RE	K
		VERSION	STATUS	REVISION
		10	RE	L
				SHEET
				1 OF 3

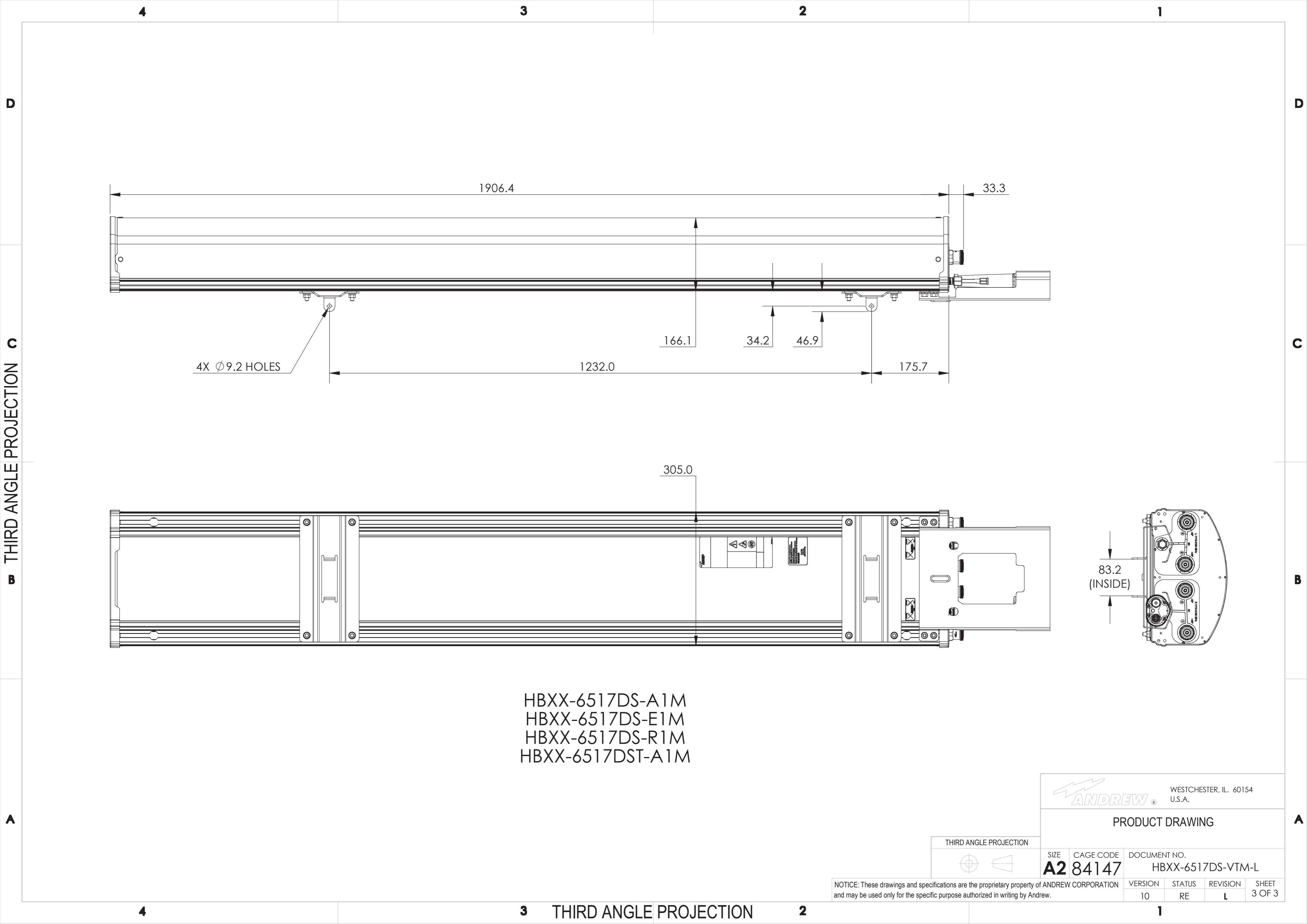


HBXX-6517DS-R2M
 HBXX-6517DS-A2M

		WESTCHESTER, IL. 60154 U.S.A.	
		PRODUCT DRAWING	
SIZE	CAGE CODE	DOCUMENT NO.	
A2	84147	HBXX-6517DS-VTM-L	
VERSION	STATUS	REVISION	SHEET
10	RE	L	2 OF 3



NOTICE: These drawings and specifications are the proprietary property of ANDREW CORPORATION and may be used only for the specific purpose authorized in writing by Andrew.



HBXX-6517DS-A1M
 HBXX-6517DS-E1M
 HBXX-6517DS-R1M
 HBXX-6517DST-A1M

ANDREW® WESTCHESTER, IL. 60154
 U.S.A.

PRODUCT DRAWING

THIRD ANGLE PROJECTION		SIZE	CAGE CODE	DOCUMENT NO.	VERSION	STATUS	REVISION	SHEET
		A2	84147	HBXX-6517DS-VTM-L	10	RE	L	3 OF 3

NOTICE: These drawings and specifications are the proprietary property of ANDREW CORPORATION and may be used only for the specific purpose authorized in writing by Andrew.