

8

7

6

5

4

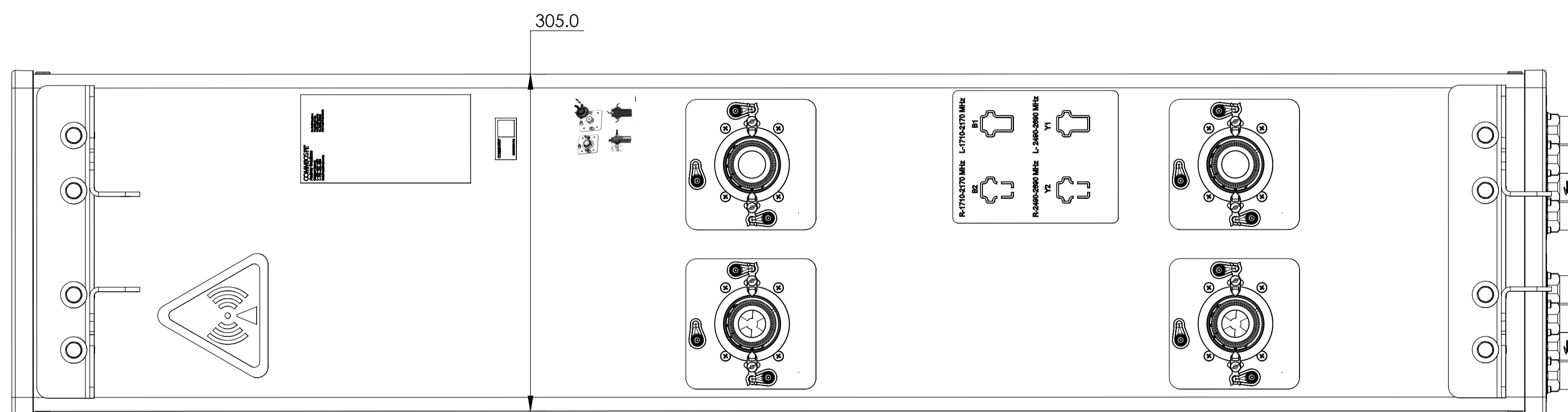
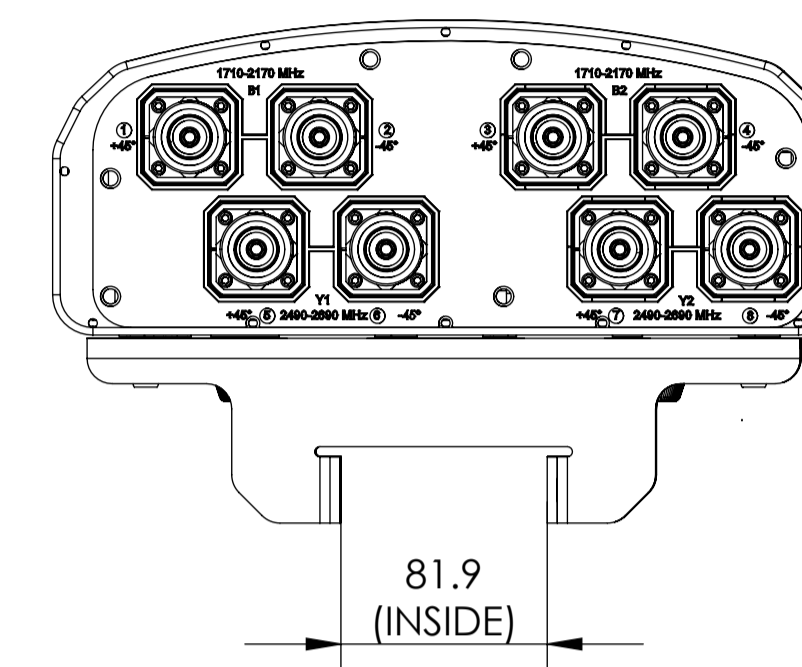
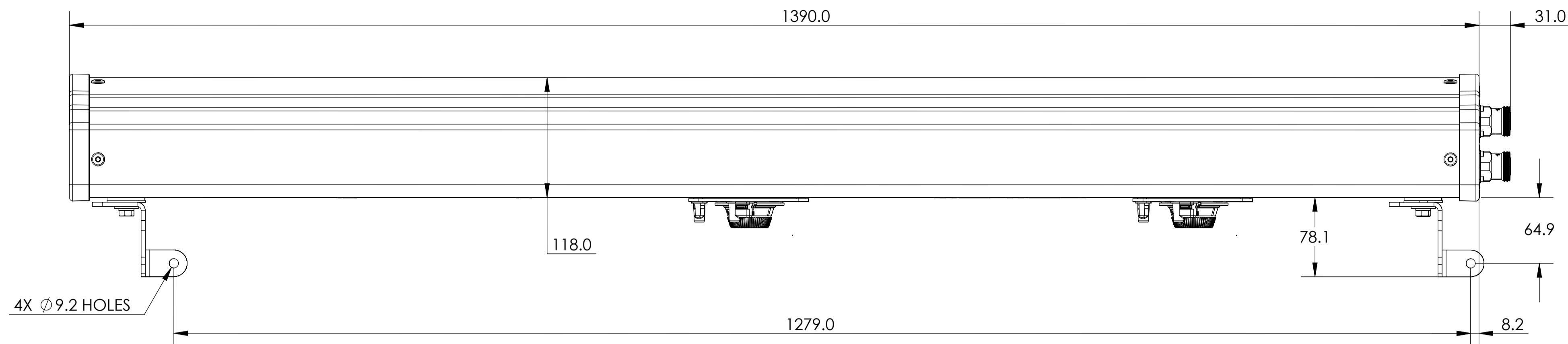
3

2

1

NOTES:

REVISIONS			
REV	DESCRIPTION	DATE	APPROVED
A	ECR 800000727: REL TO PRODUCTION PER EAO 600784.	28JUL13 LPY	BY.DING/XU.ZHANG
B	ECR 8000002381: UPDATE DRAWING.	22JAN14 QJ	BY.DING/XU.ZHANG
C	ECR 8000003871: UPDATE DRAWING.	04JUN14 DYT	S.LIU/JIHE
D	ECR 8000005236: ADD DXF FILE.	28SEP14 ZW	S.LIU/JIHE
E	ECR 8000013320: UPDATE DRAWING WITH LATEST MODEL.	12APR16 LS	S.LIU/JIHE



HHTT65A-F-M

THIRD ANGLE PROJECTION

MATERIAL N/A	DENSITY: MASS:	UNLESS OTHERWISE SPECIFIED DIMENSIONS ARE IN MILLIMETERS INTERPRET PER ISO STANDARDS HANDBOOK, TECHNICAL DRAWINGS, VOLUMES 1 & 2, THIRD EDITION (2002)	WESTCHESTER, IL. 60154 U.S.A.	
FINISH N/A	TOLERANCES 0 PLACE X± 1 PLACE .X± 2 PLACE .XX± ANGLES ± ALL SURFACES ✓	THIRD ANGLE PROJECTION 	PRODUCT DRAWING	
DRAWN BY LPYANG 29JUL13 ECN 800000727-O		SIZE A1	CAGE CODE 84147	DOCUMENT NO. HHTT65A-F-M-L
AUTH. GROUP 23		MODEL	DRAWING	SHEET
NOTICE: These drawings and specifications are the proprietary property of ANDREW CORPORATION and may be used only for the specific purpose authorized in writing by Andrew.		VERSION 05	STATUS RE	REVISION F
		VERSION 04	STATUS RE	REVISION E
				1 OF 2

8

7

6

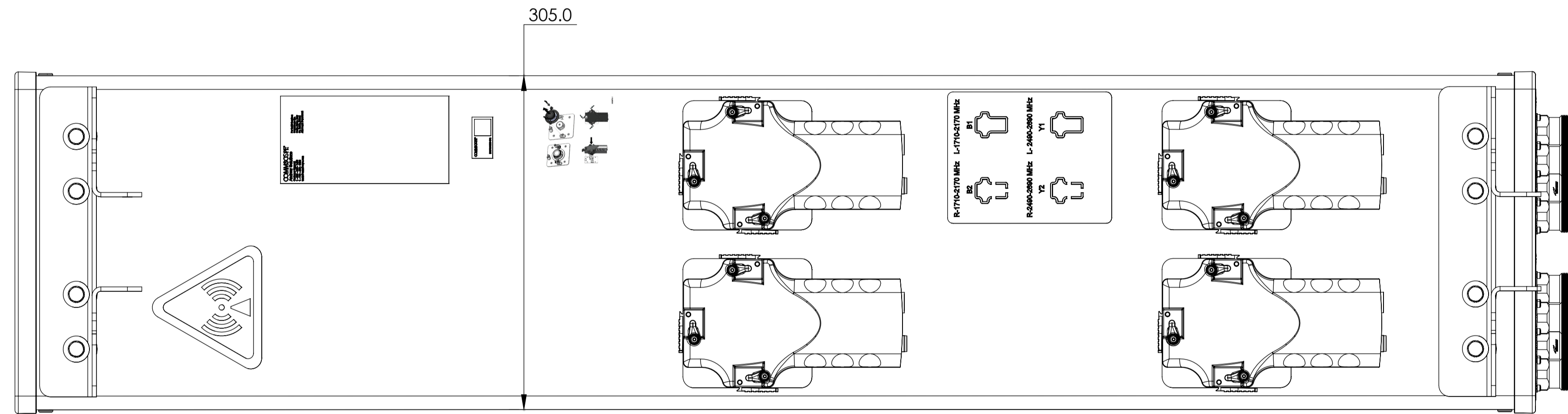
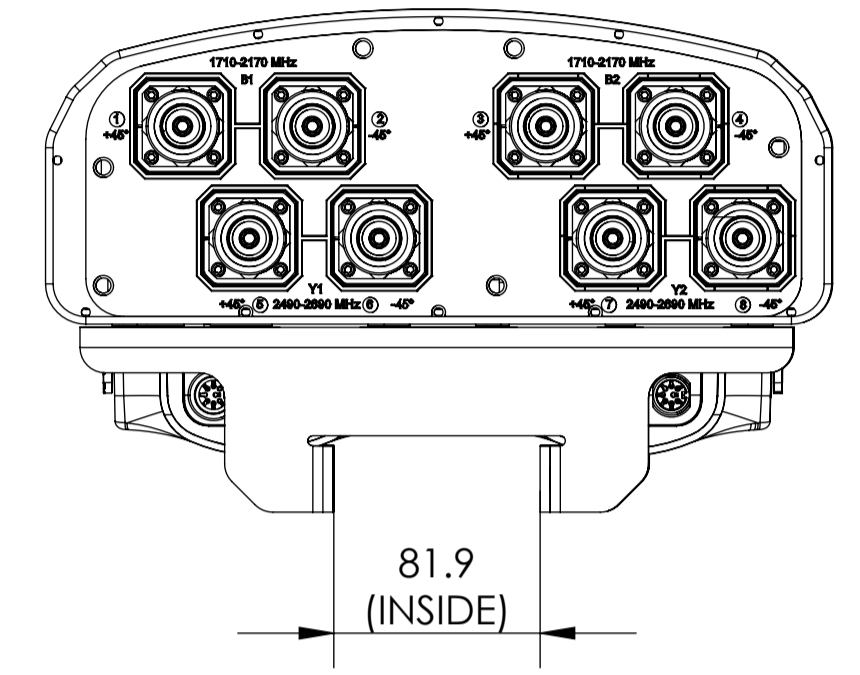
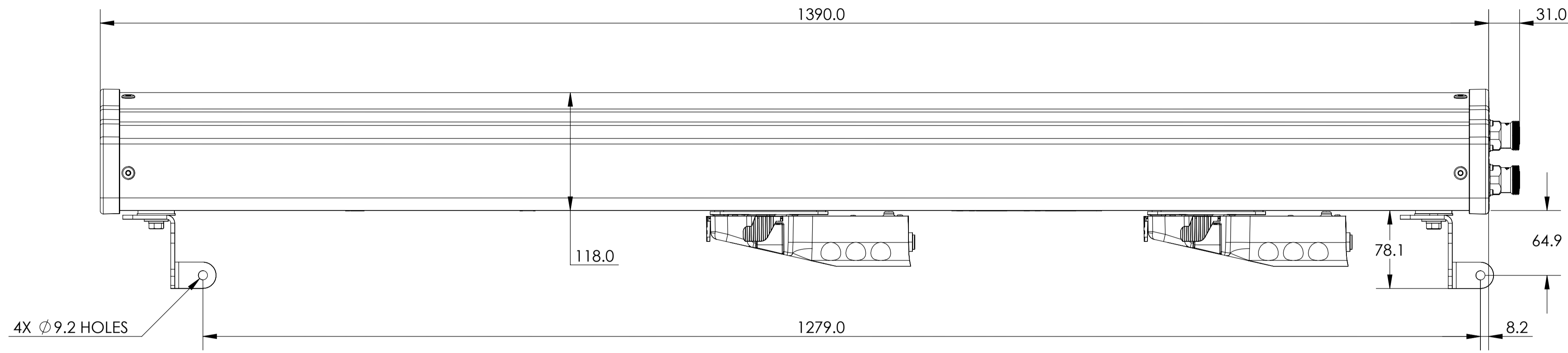
THIRD ANGLE PROJECTION

3

2

1

THIRD ANGLE PROJECTION



HHTT65A-F-4X2

WESTCHESTER, IL. 60154
U.S.A.

PRODUCT DRAWING

THIRD ANGLE PROJECTION	SIZE A1	CAGE CODE 84147	DOCUMENT NO. HHTT65A-F-M-L
	VERSION 04	STATUS RE	REVISION E
			SHEET 2 OF 2

NOTICE: These drawings and specifications are the proprietary property of ANDREW CORPORATION and may be used only for the specific purpose authorized in writing by Andrew.

THIRD ANGLE PROJECTION