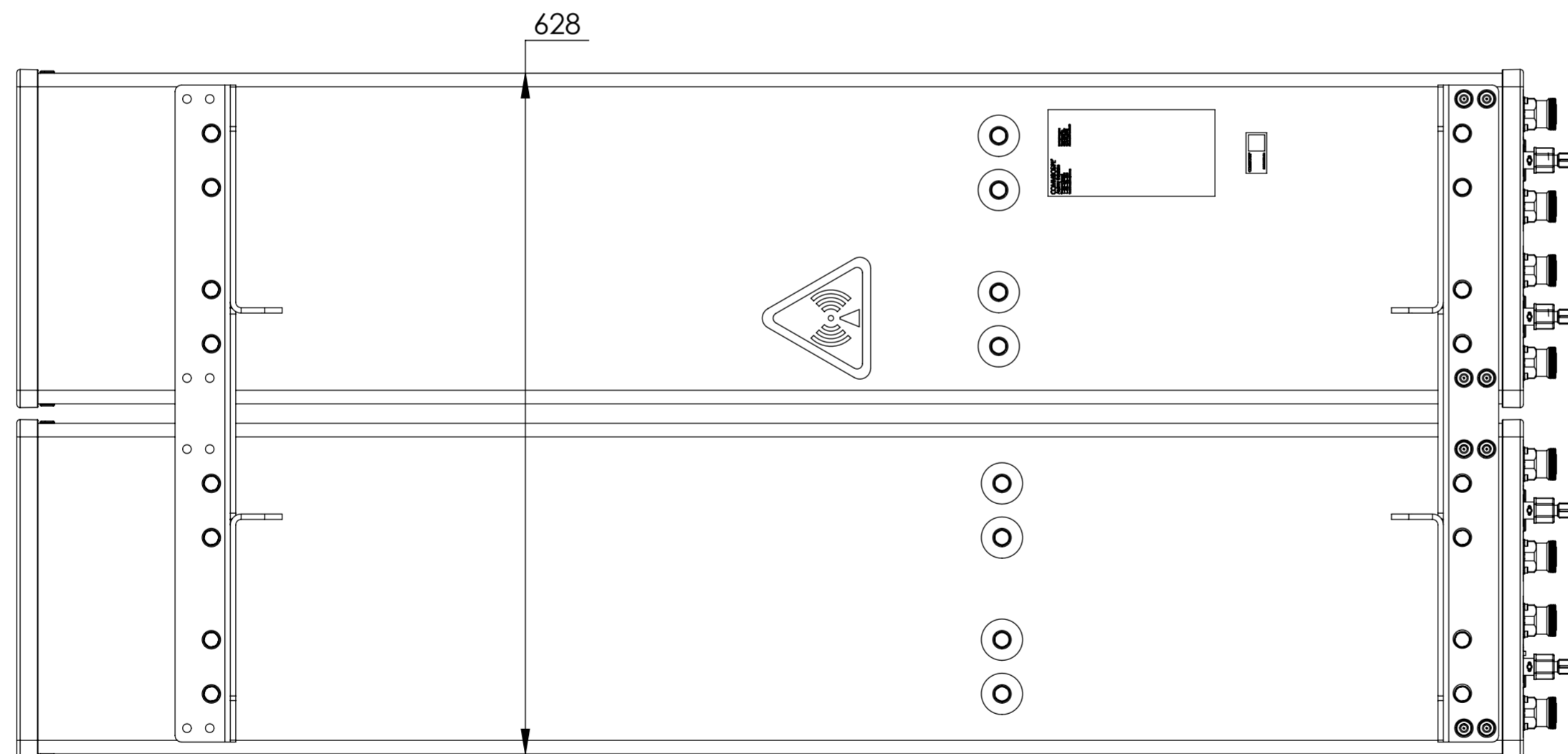
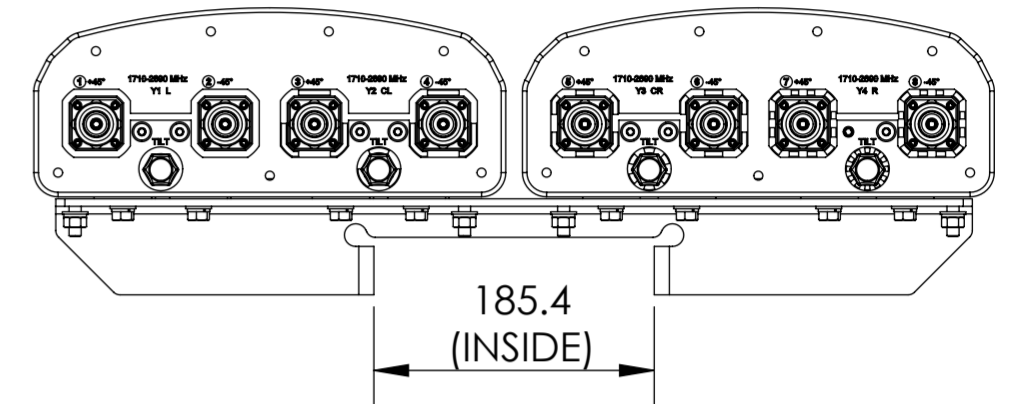
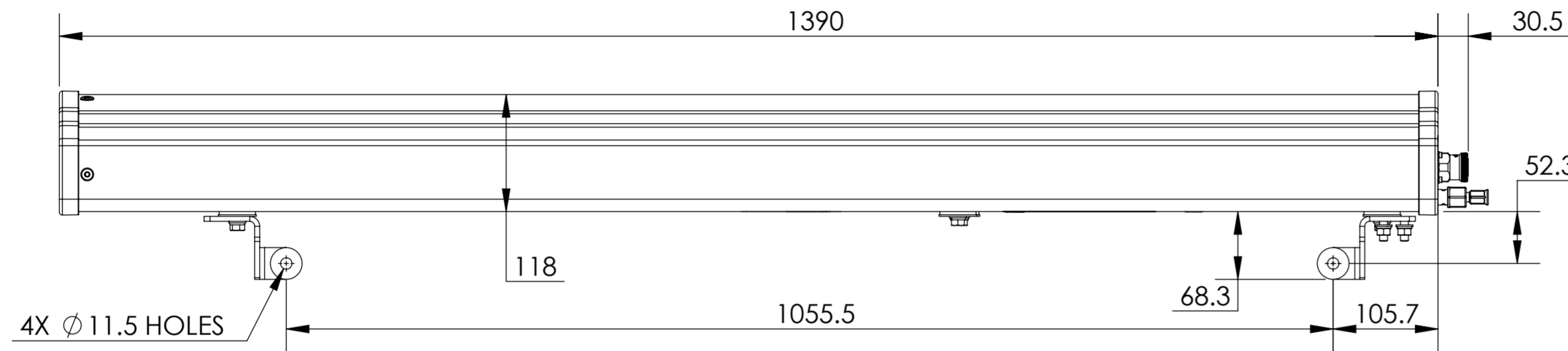


NOTES:



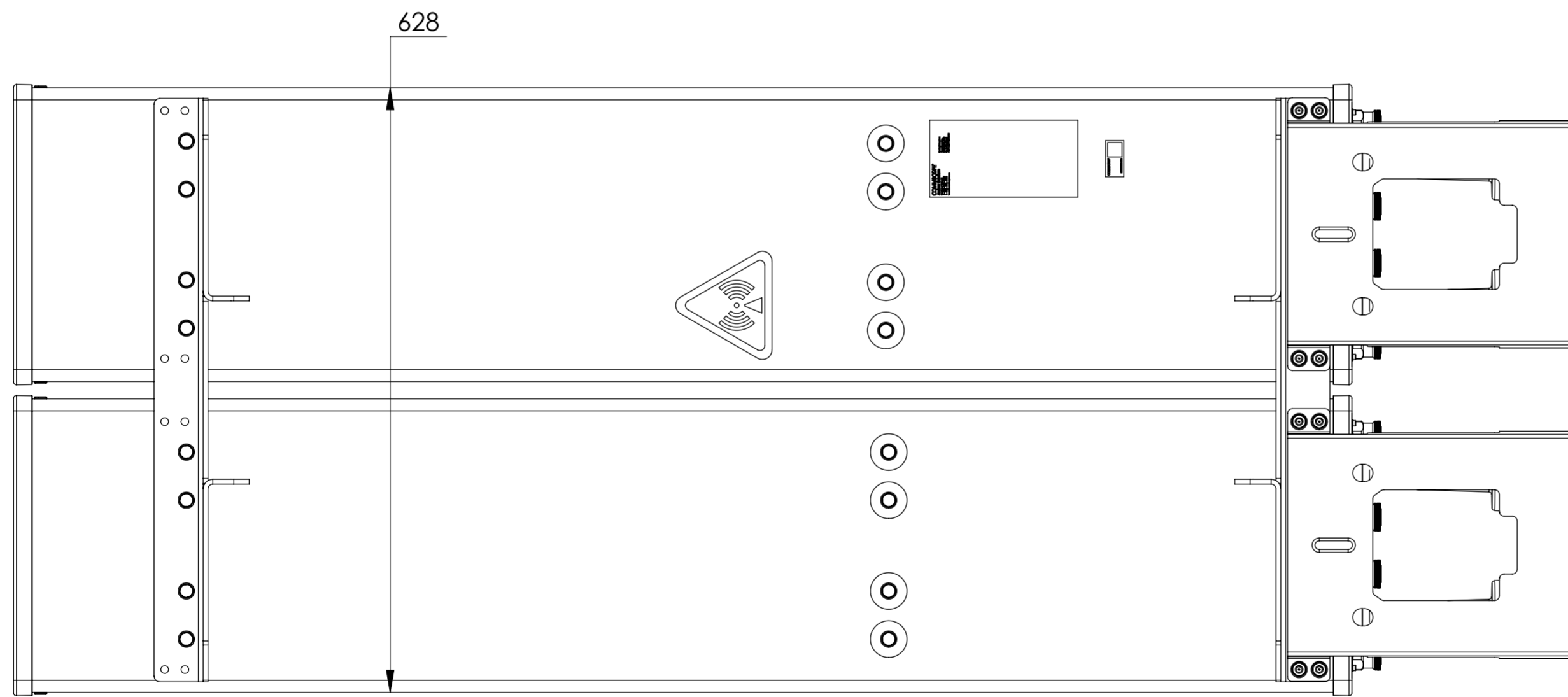
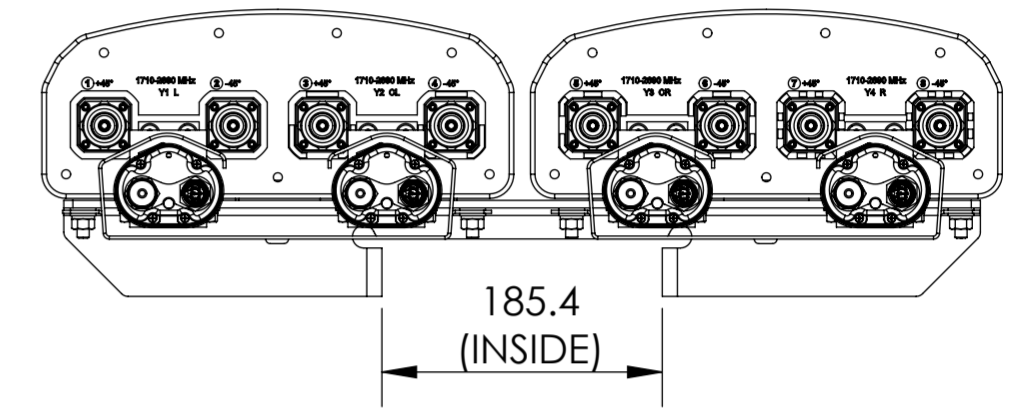
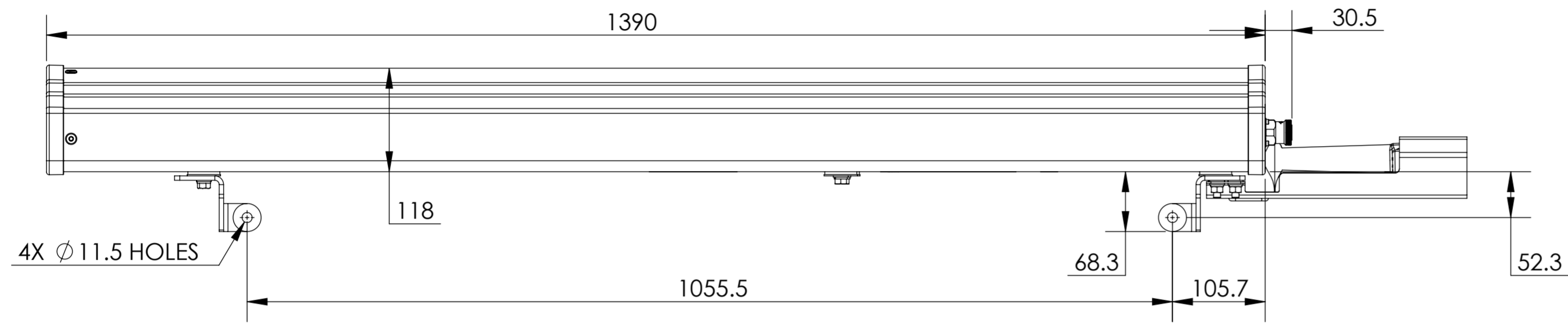
HW4X-6516DS1-VTM

REVISIONS			
REV.	DESCRIPTION	DATE	APPROVED
A	ECR 8000017101: RELEASE TO PRODUCTION PER EAO 603768.	11/28/2016 DXJ	LZL/X.MEI
B	ECR 8000020142: UPDATE DRAWING.	02/21/17 HM	S.LIU/JIHE

COMMSCOPE, INC. OF NORTH CAROLINA										
TOLERANCES					SAP MATERIAL MASTER					
0 PLACE X ±		2 PLACE .XX ±								
1 PLACE .X ±		ANGLES ±								
FINISH					MATERIAL					
PRODUCT DRAWING										
SCALE: 1:5 DOCUMENT NO.: HW4X-6516DS1-VTM-L										
ECN 8000020142-O										
SIZE: A2										
WORK AREA 23			MODEL			DRAWING				
VERSION 03			STATUS RE			REVISION C		VERSION 02		STATUS RE
REVISION B								REVISION B		SHEET 1 OF 2

DENSITY	g/mm ³
MASS	grams
VOLUME	mm ³
SURFACE AREA	mm ²

© 2016 CommScope, Inc.



HW4X-6516DS1-A4M

03/02/2017
03/03/2017
03/05/2017

COMMSCOPE, INC. OF NORTH CAROLINA				
TITLE				
PRODUCT DRAWING				
SIZE	SCALE	DOCUMENT NO.		
A2	1:5	HW4X-6516DS1-VTM-L		
DRAWING				SHEET
VERSION	STATUS	REVISION	2 OF 2	
02	RE	B		

© 2016 CommScope, Inc.