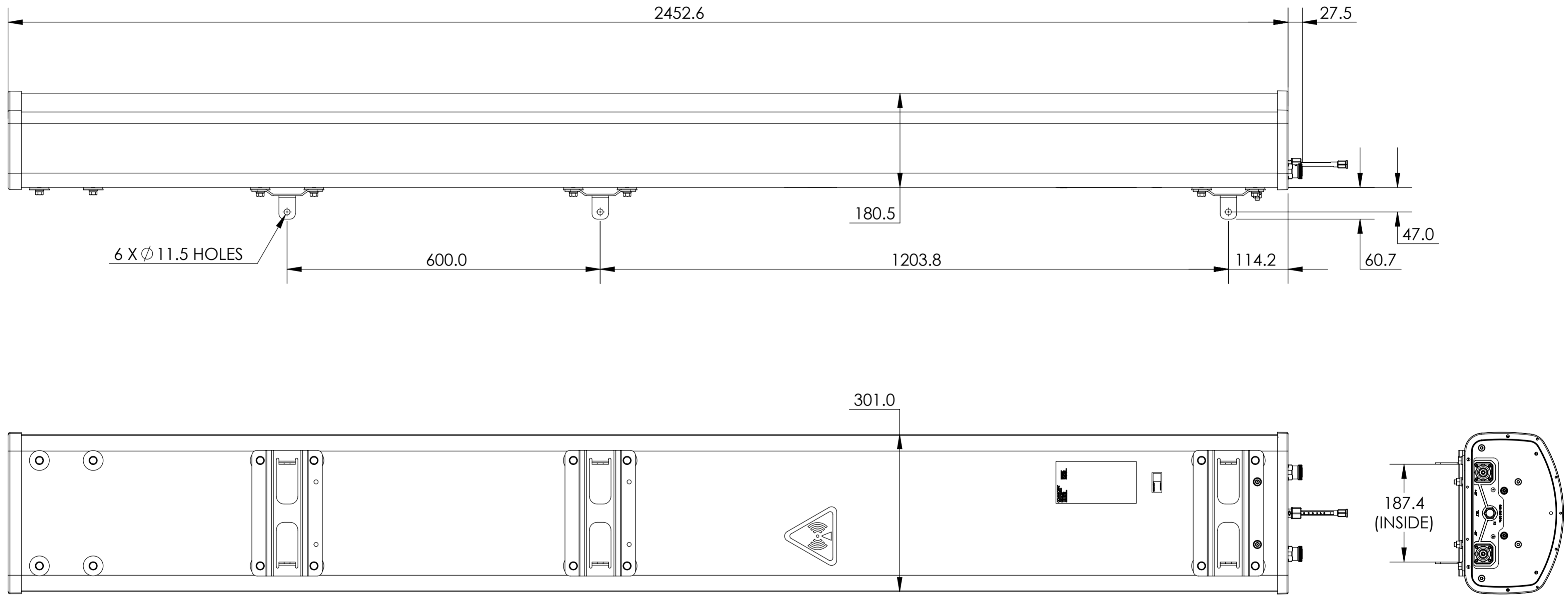




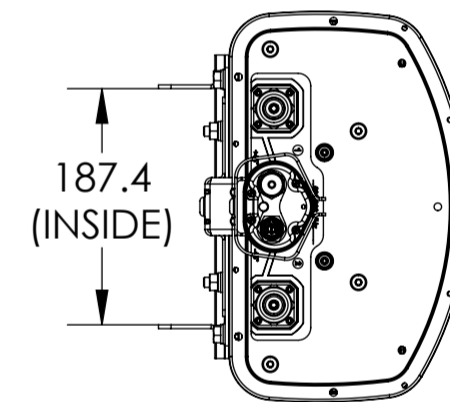
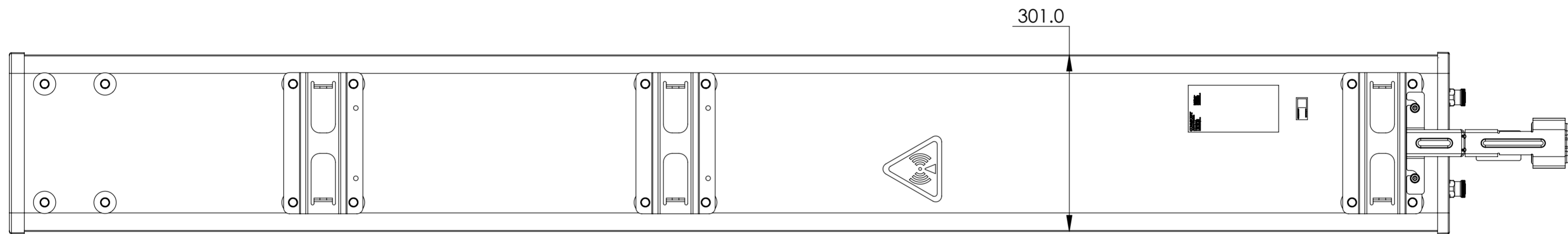
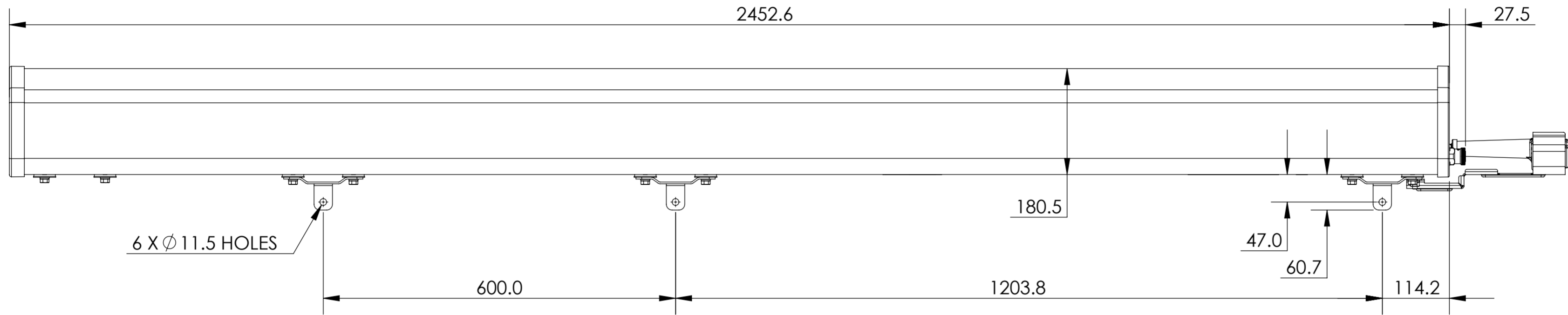
NOTES:

REVISIONS			
REV	DESCRIPTION	DATE	APPROVED
A	ECR 5084673: RELEASE TO PRODUCTION PER EAO 4005333.	31WAR09 K.W	YDWANG/X.CHEN
H	ECR 8000004561: UPDATE DRAWING.	28JUL14 L.Z	LHL/AD
J	ECR 8000005961: ADD DXF FILE.	10DEC14 RY	S.LIU/JIHE
K	ECR 8000006791: UPDATE DRAWING WITH LATEST MODEL.	13FEB15 ZW	S.LIU/JIHE
L	ECR 8000013058: UPDATE DRAWING.	23MAR16 QW	LHL/AD



LNX-6515DS-VTM

MATERIAL N/A	DENSITY: MASS:	UNLESS OTHERWISE SPECIFIED DIMENSIONS ARE IN MILLIMETERS INTERPRET PER ISO STANDARDS HANDBOOK TECHNICAL DRAWINGS VOLUMES 1 & 2, THIRD EDITION (2002)	 WESTCHESTER, IL. 60154 U.S.A.	
FINISH N/A	TOLERANCES 0 PLACE X ± 1 PLACE .X ± 2 PLACE .XX ± ANGLES ± ALL SURFACES ✓	THIRD ANGLE PROJECTION 	PRODUCT DRAWING	
DRAWN BY K.W 31MAR09		SIZE	CAGE CODE	DOCUMENT NO.
ECN 8000013058-O		A2	84147	LNX-6515DS-VTM-L
AUTH. GROUP 23		MODEL		DRAWING
NOTICE: These drawings and specifications are the proprietary property of ANDREW CORPORATION and may be used only for the specific purpose authorized in writing by Andrew.		VERSION	STATUS	REVISION
		06	RE	G 11
				RE L
				SHEET 1 OF 2



LNX-6515DS-A1M
LNX-6515DS-R2M

ANDREW WESTCHESTER, IL. 60154
U.S.A.

PRODUCT DRAWING

THIRD ANGLE PROJECTION		SIZE	CAGE CODE	DOCUMENT NO.		
		A2	84147	LNX-6515DS-VTM-L		
VERSION	STATUS	REVISION	SHEET			
11	RE	L	2 OF 2			

NOTICE: These drawings and specifications are the proprietary property of ANDREW CORPORATION and may be used only for the specific purpose authorized in writing by Andrew.

D
C
B
A

D
C
B
A

4

3

2

1

THIRD ANGLE PROJECTION