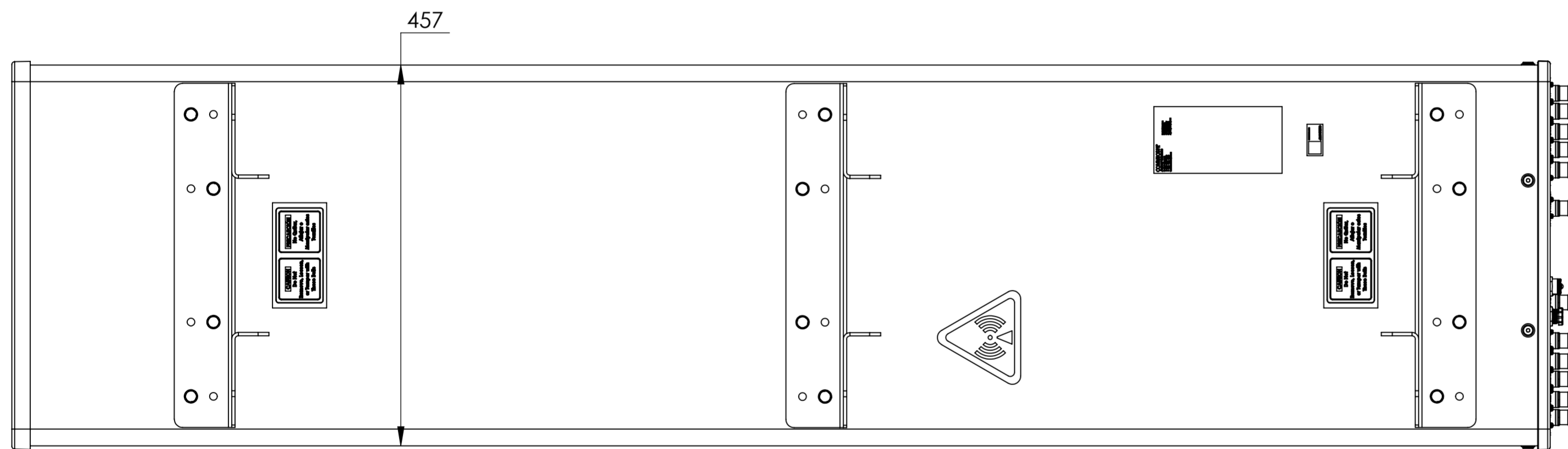
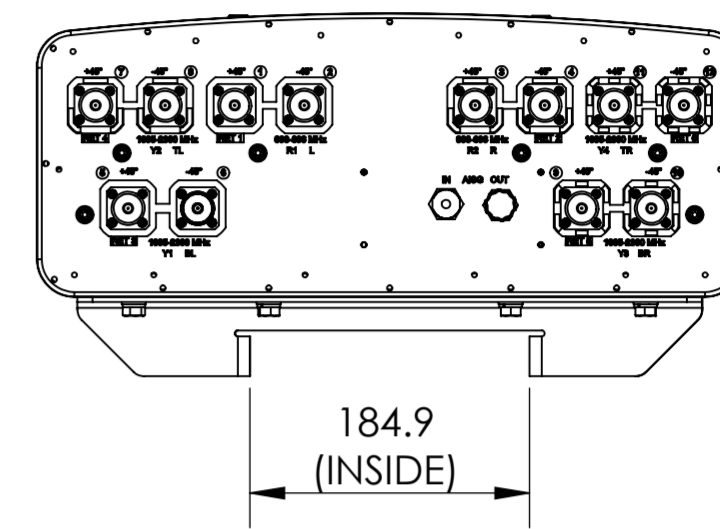
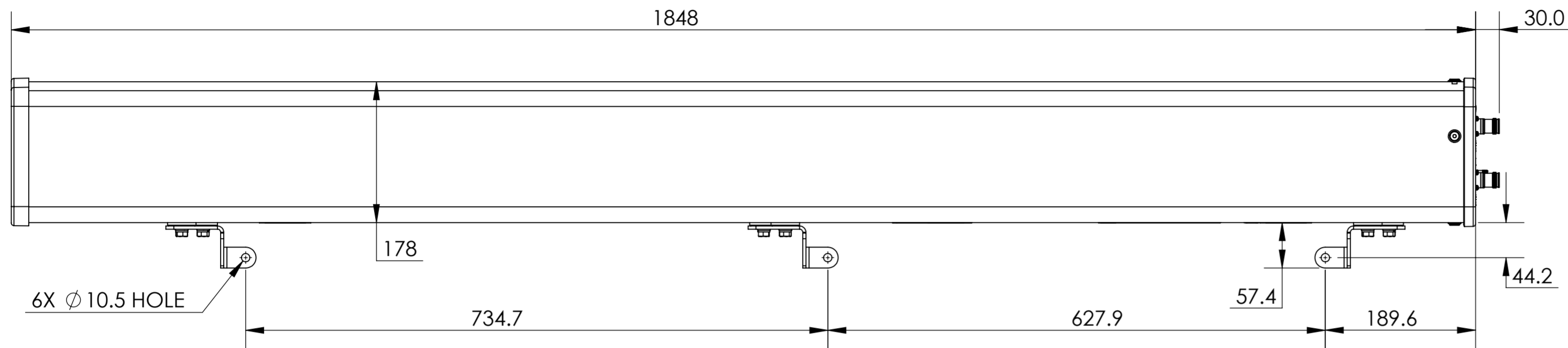


REVISIONS			
REV.	DESCRIPTION	DATE	APPROVED
A	ECR 8000031415: RELEASE TO PRODUCTION PER EAO 605607.	6/21/19 SXH	DYANG/J.LIU



NNH4-45B-R6

COMMSCOPE, INC. OF NORTH CAROLINA									
TOLERANCES					SAP MATERIAL MASTER				
0 PLACE X ±		2 PLACE .XX ±							
1 PLACE .X ±		ANGLES ±							
FINISH					MATERIAL				
PRODUCT DRAWING									
SCALE		DOCUMENT NO.							
1:5		NNH4-45B-R6-L							
<small>UNLESS OTHERWISE SPECIFIED DIMENSIONS ARE IN MILLIMETERS INTERPRET PER ISO STANDARDS HANDBOOK TECHNICAL DRAWINGS VOLUMES 1 & 2, THIRD EDITION (2002)</small>									
SIZE		WORK AREA		MODEL		DRAWING			
A2		23		RW		A		00	
VERSION		STATUS		REVISION		VERSION		STATUS	
00		RW		A		00		IW	
REVISION		REVISION		REVISION		REVISION		REVISION	
A		A		A		A		A	
									SHEET
									1 OF 1

DENSITY	g/mm ³
MASS	grams
VOLUME	mm ³
SURFACE AREA	mm ²
HEIGHT	
LENGTH	
WIDTH	

© 2019 CommScope, Inc.