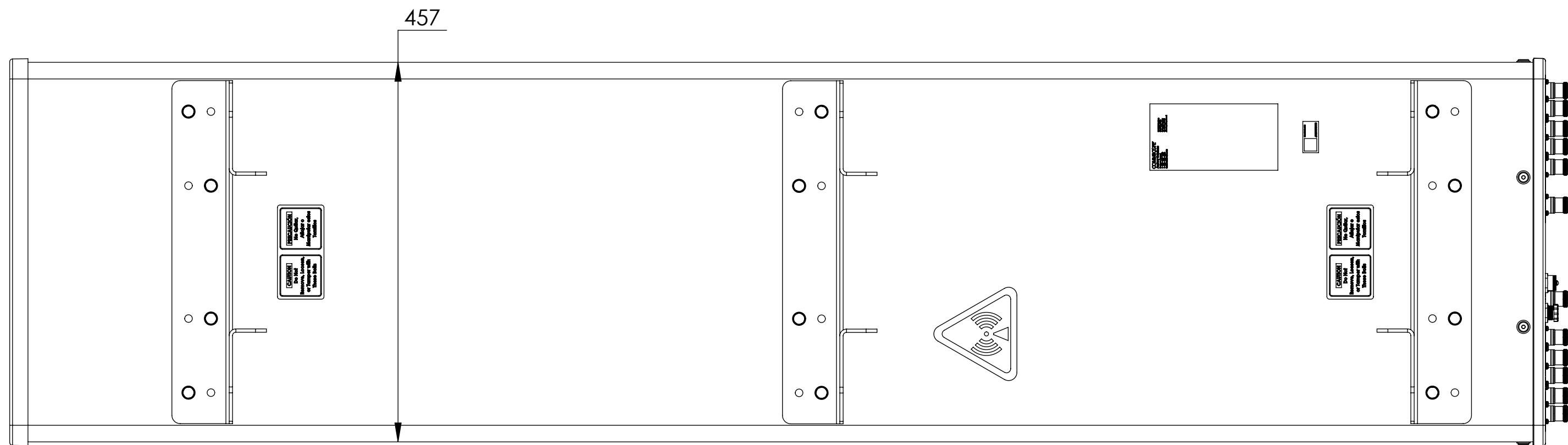
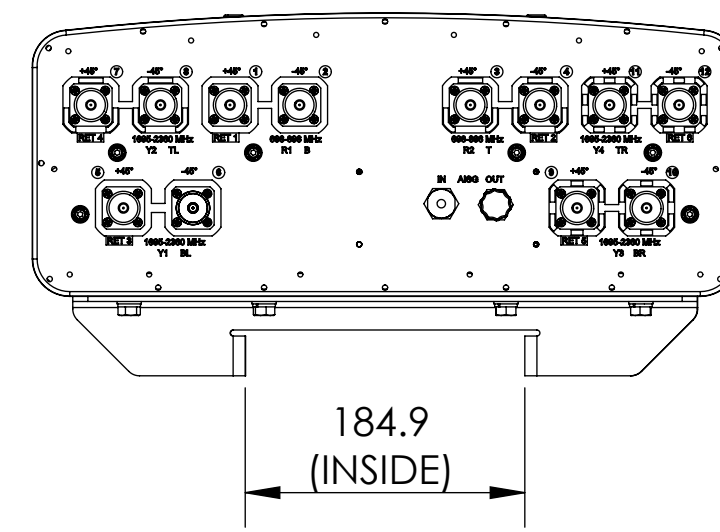
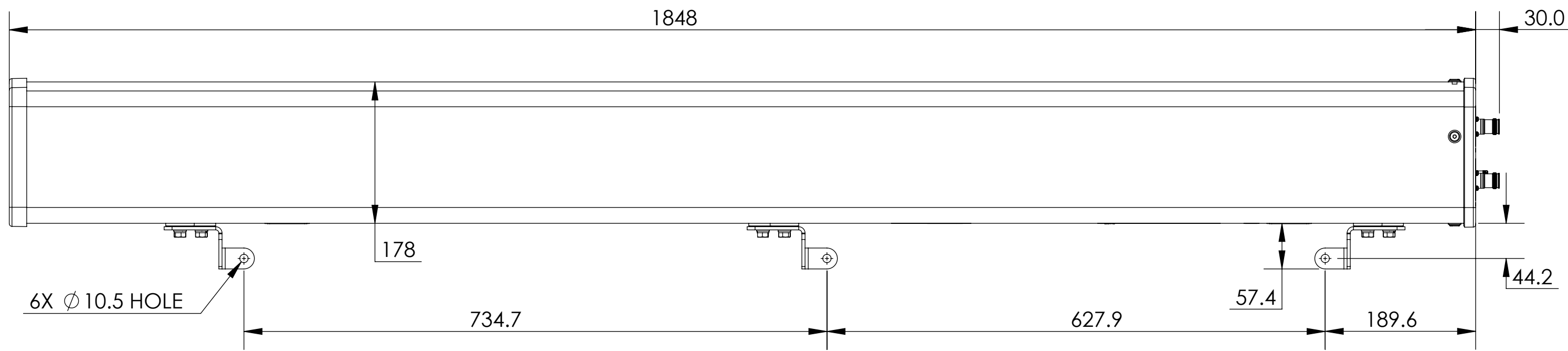


REVISIONS			
REV.	DESCRIPTION	DATE	APPROVED
A	ECR 8000036209: RELEASE TO PRODUCTION PER EAO 606943.	02JUL19 QF	ZYL/YWQ
B	ECR 8000036748: UPDATE MODEL.	8AUG19 SXH	DYANG/J.LIU



NNH4-45B-R6-V1

COMMSCOPE, INC. OF NORTH CAROLINA										
TOLERANCES					SAP MATERIAL MASTER					
0 PLACE X ±		2 PLACE .XX ±								
1 PLACE .X ±		ANGLES ±								
FINISH					MATERIAL					
UNLESS OTHERWISE SPECIFIED DIMENSIONS ARE IN MILLIMETERS INTERPRET PER ISO STANDARDS HANDBOOK TECHNICAL DRAWINGS VOLUMES 1 & 2, THIRD EDITION (2002)	NAME	DATE	TITLE							
	CE QW1004	07/02/2019	PRODUCT DRAWING							
	RW XS1022	08/08/2019								
	RV CY1017	08/08/2019								
	AD JL1139	08/08/2019								
RE BYUAN	08/08/2019									
ECN 8000036748-O			SCALE	DOCUMENT NO.						
			1:5	NNH4-45B-R6-V1-L						
SIZE	WORK AREA	23	MODEL			DRAWING				SHEET
A2	⊕	◁	VERSION	STATUS	REVISION	VERSION	STATUS	REVISION	1 OF 1	
			01	RE	B	01	RE	B		

DENSITY	g/mm ³
MASS	grams
VOLUME	mm ³
SURFACE AREA	mm ²
HEIGHT	
LENGTH	
WIDTH	

© 2019 CommScope, Inc.