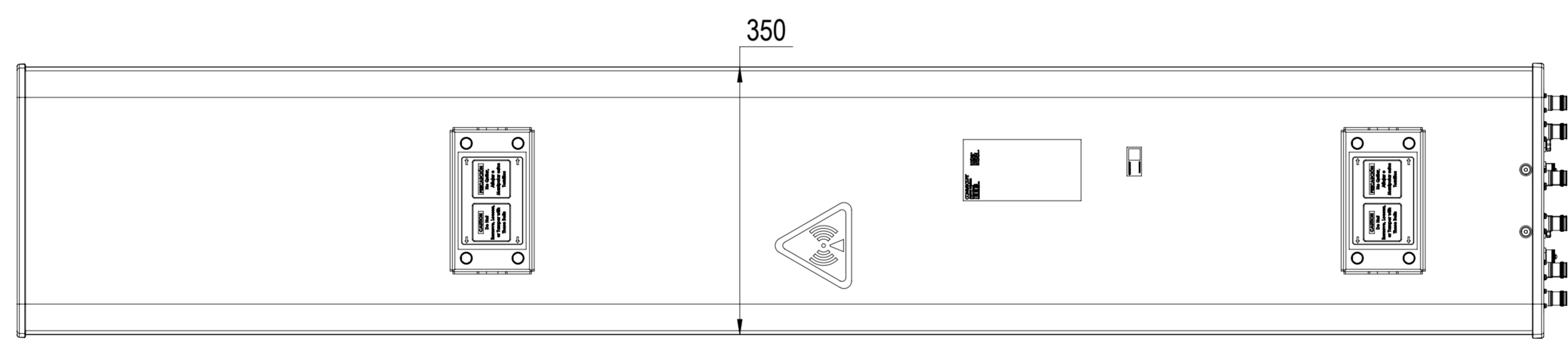
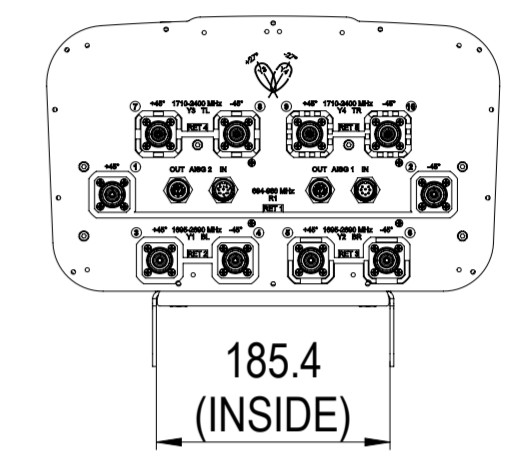
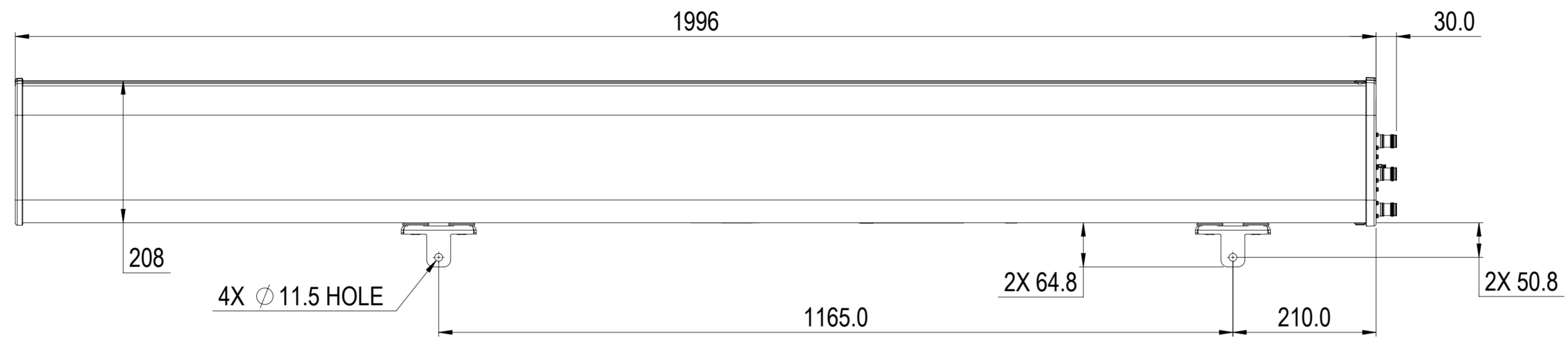


REVISIONS			
REV.	DESCRIPTION	DATE	APPROVED
A	ECR 8000034862: REL TO PRODUCTION PER EAO 606764.	08JUN19 MG	MB/UG
B	ECR 8000034862: MODEL & VIEWS UPDATED.	18JUN19 MG	MB/UG



RVV2H-6533B-R5



**COMMSCOPE, INC. OF NORTH CAROLINA**

TOLERANCES		SAP MATERIAL MASTER	
0 PLACE X ±	2 PLACE .XX ±		
1 PLACE .X ±	ANGLES ±		
FINISH		MATERIAL	
<small>UNLESS OTHERWISE SPECIFIED DIMENSIONS ARE IN MILLIMETERS INTERPRET PER ISO STANDARDS HANDBOOK TECHNICAL DRAWINGS VOLUMES 1 &amp; 2, THIRD EDITION (2002)</small>		NAME	DATE
		CE MG1153	08JUN19
		RW MG1153	06/18/2019
		RV MB1140	06/18/2019
		AD UG1003	06/19/2019
RE AC1095	06/19/2019	<b>SCALE</b> 1:6 <b>DOCUMENT NO.</b> <b>RVV2H-6533B-R5-L</b>	
ECN 8000034862-O			
SIZE	WORK AREA	MODEL	
<b>A2</b>	23	VERSION	STATUS
		01	RE
		REVISION	VERSION
		B	01
		DRAWING	STATUS
		REVISION	REVISION
		B	B
			SHEET
			1 OF 1

DENSITY	g/mm <sup>3</sup>
MASS	grams
VOLUME	mm <sup>3</sup>
SURFACE AREA	mm <sup>2</sup>
HEIGHT	
LENGTH	
WIDTH	