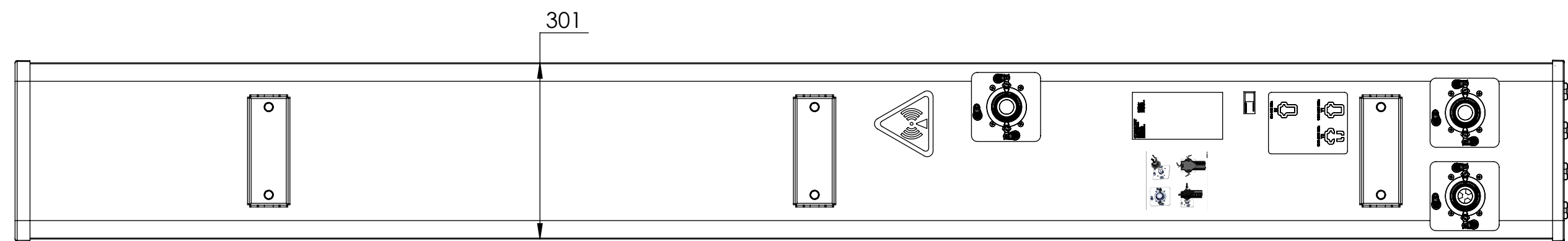
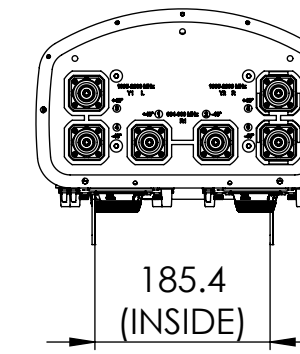
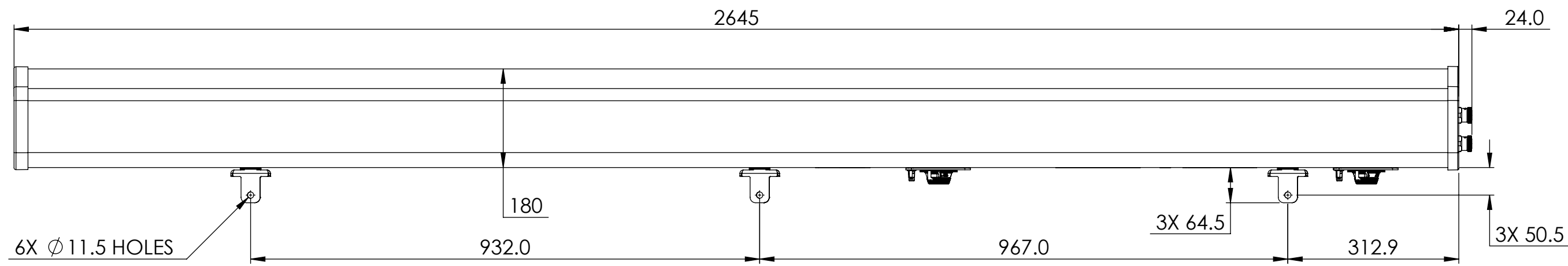


NOTES:

REVISIONS			
REV.	DESCRIPTION	DATE	APPROVED
A	ECR 8000014478: REL TO PRODUCTION PER EAO 603310.	09AUG16 NK	YCLI/X.MEI



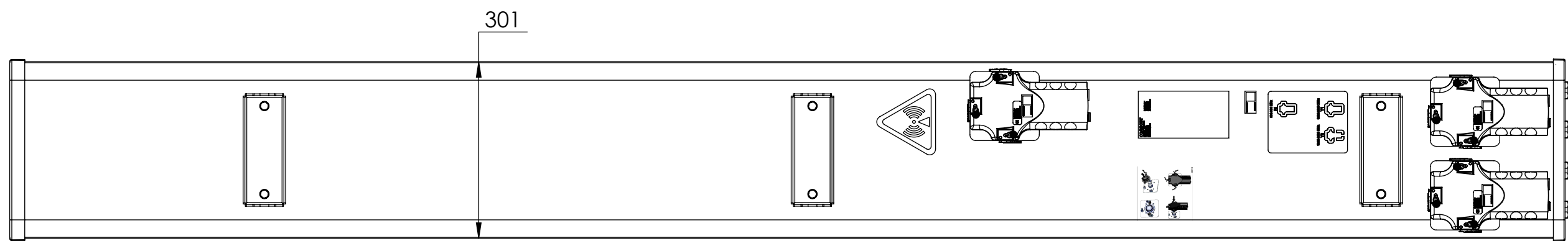
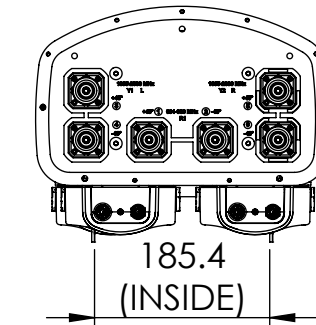
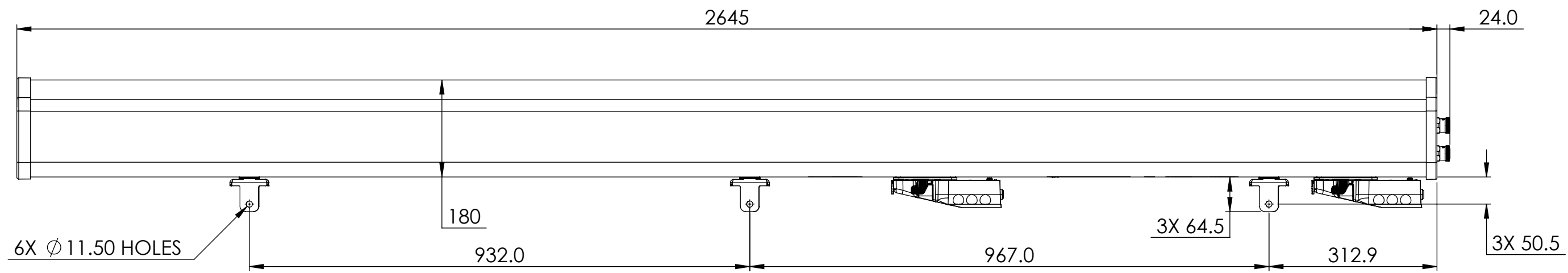
RVV-65D-M

COMMSCOPE, INC. OF NORTH CAROLINA										
TOLERANCES					SAP MATERIAL MASTER					
0 PLACE X ±		2 PLACE .XX ±								
1 PLACE .X ±		ANGLES ±								
FINISH					MATERIAL					
UNLESS OTHERWISE SPECIFIED DIMENSIONS ARE IN MILLIMETERS INTERPRET PER ISO STANDARDS HANDBOOK TECHNICAL DRAWINGS VOLUMES 1 & 2, THIRD EDITION (2002)	NAME	DATE	TITLE							
	CE NK	09AUG16	PRODUCT DRAWING							
	RW XK1001	09/19/2016								
	RV YCLI	09/20/2016								
	AD XIMEI	09/20/2016								
RE LONEWSOM	09/20/2016									
ECN 8000014478-O			SCALE	DOCUMENT NO.						
			1:8	RVV-65D-M-L						
SIZE	WORK AREA	23	MODEL			DRAWING				SHEET
A2		VERSION	STATUS	REVISION	VERSION	STATUS	REVISION	1 OF 2		
		00	RE	A	00	RE	A			

DENSITY	g/mm ³
MASS	grams
VOLUME	mm ³
SURFACE AREA	mm ²
HEIGHT	
LENGTH	
WIDTH	

© 2016 CommScope, Inc.

NOTES:



RVV-65D-ER3

COMMSCOPE, INC. OF NORTH CAROLINA				
TITLE				
PRODUCT DRAWING				
SIZE	SCALE	DOCUMENT NO.		
A2	1:8	RVV-65D-M-L		
DRAWING				SHEET
VERSION	STATUS	REVISION	2 OF 2	
00	RE	A		

© 2016 CommScope, Inc.