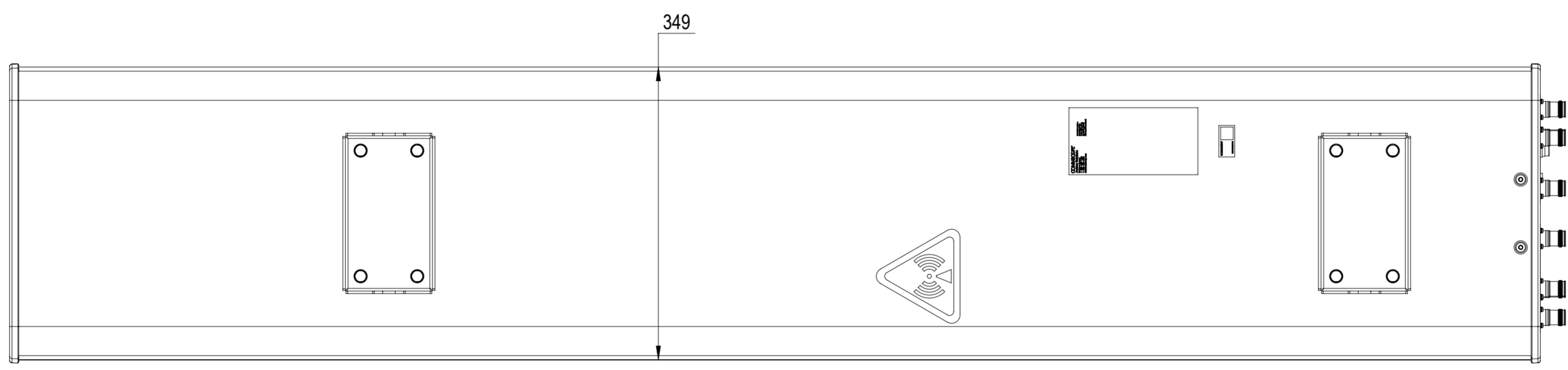
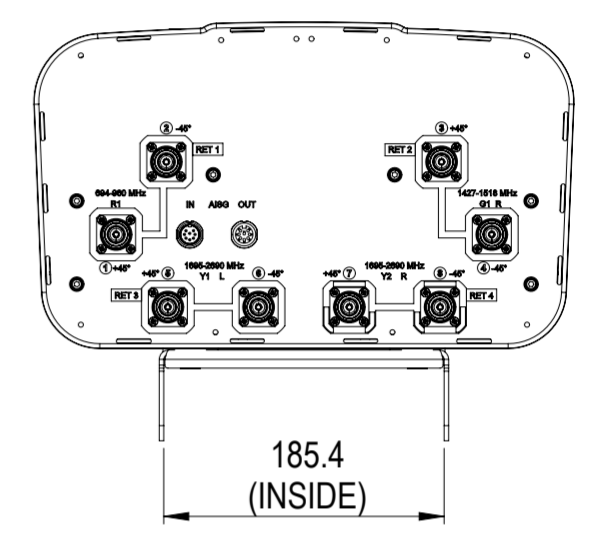
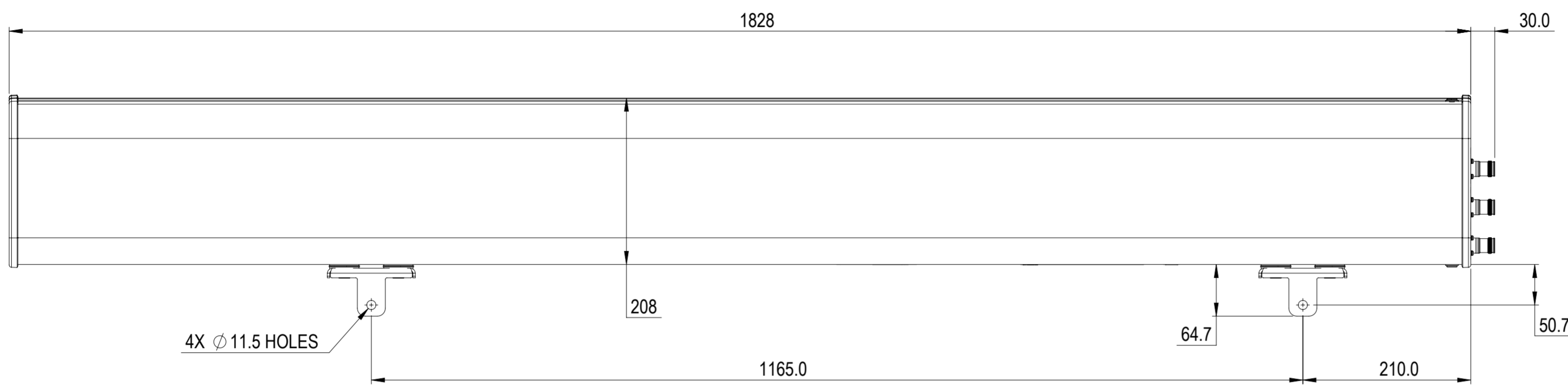


REVISIONS			
REV.	DESCRIPTION	DATE	APPROVED
A	ECR 8000026533: RELEASE TO PRODUCTION PER EAO 604425.	14OCT17 XHX	S.LIU/JIHE



RYVV-65B-R4-V2

COMMSCOPE, INC. OF NORTH CAROLINA

TOLERANCES		SAP MATERIAL MASTER	
0 PLACE X ±	2 PLACE .XX ±		
1 PLACE .X ±	ANGLES ±		
FINISH		MATERIAL	
<small>UNLESS OTHERWISE SPECIFIED DIMENSIONS ARE IN MILLIMETERS INTERPRET PER ISO STANDARDS HANDBOOK TECHNICAL DRAWINGS, VOLUMES 1 & 2, THIRD EDITION (2002)</small>		NAME	DATE
		CE HX1004	14OCT17
		RW YY1025	10/31/2017
		RV CHALIU	10/31/2017
		AD JIHE	10/31/2017
RE BYUAN	11/01/2017	SCALE: 1:5 DOCUMENT NO. RYVV-65B-R4-V2-L	
ECN 8000026533-O			
SIZE	WORK AREA	23	MODEL
A2		VERSION	STATUS
		00	RE
		REVISION	DRAWING
		A	00
		STATUS	REVISION
		RE	A
			SHEET
			1 OF 1

DENSITY	g/mm ³
MASS	grams
VOLUME	mm ³
SURFACE AREA	mm ²
HEIGHT	
LENGTH	
WIDTH	