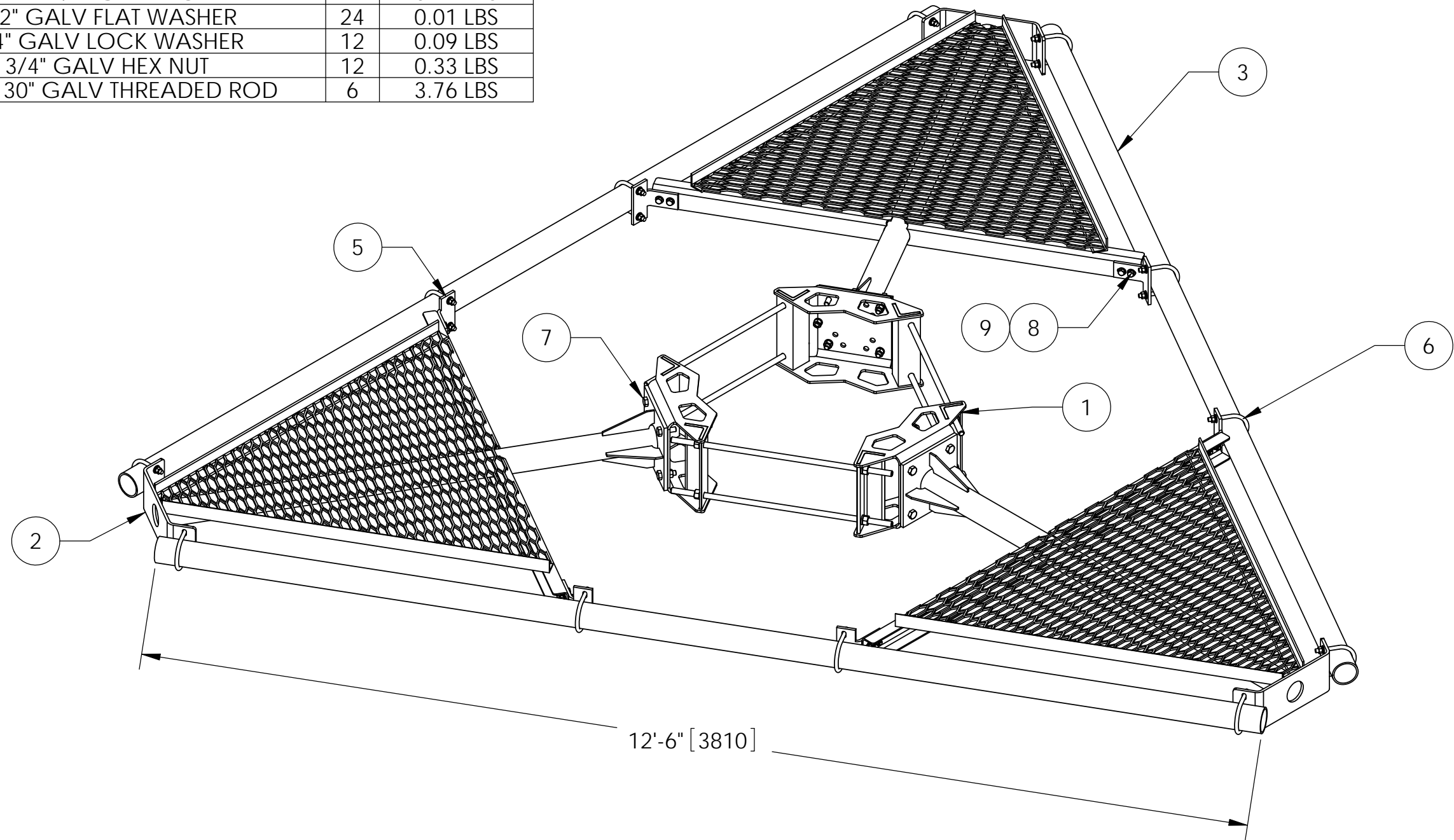


ITEM	PART NO.	DESCRIPTION	QTY.	WEIGHT
1	RM1030	10 - 30 RING MOUNT WELDMENT	3	33.84 LBS
2	MT196.01	Low Profile Co-Location Platform 12'-6"	3	140.72 LBS
3	MT216.01	3½" O.D. X 12'-6" GALV. PIPE	3	94.20 LBS
4	MT196HK	HARDWARE KIT (ITEM 5 & 9)	1	
5	MT196.17	MT196 Pipe Mount Plate	6	2.49 LBS
6	GUB-4355	1/2" X 3-5/8" X 5" GALV U-BOLT KIT	12	0.71 LBS
7	GB-0520A	5/8" X 2" GALV BOLT KIT (A325)	12	0.26 LBS
8	GB-04145	1/2" X 1-1/2" GALV BOLT KIT	12	0.12 LBS
9	GWF-04	1/2" GALV FLAT WASHER	24	0.01 LBS
10	GWL-06	3/4" GALV LOCK WASHER	12	0.09 LBS
11	GN-06	3/4" GALV HEX NUT	12	0.33 LBS
12	MT38430B7	3/4" X 30" GALV THREADED ROD	6	3.76 LBS

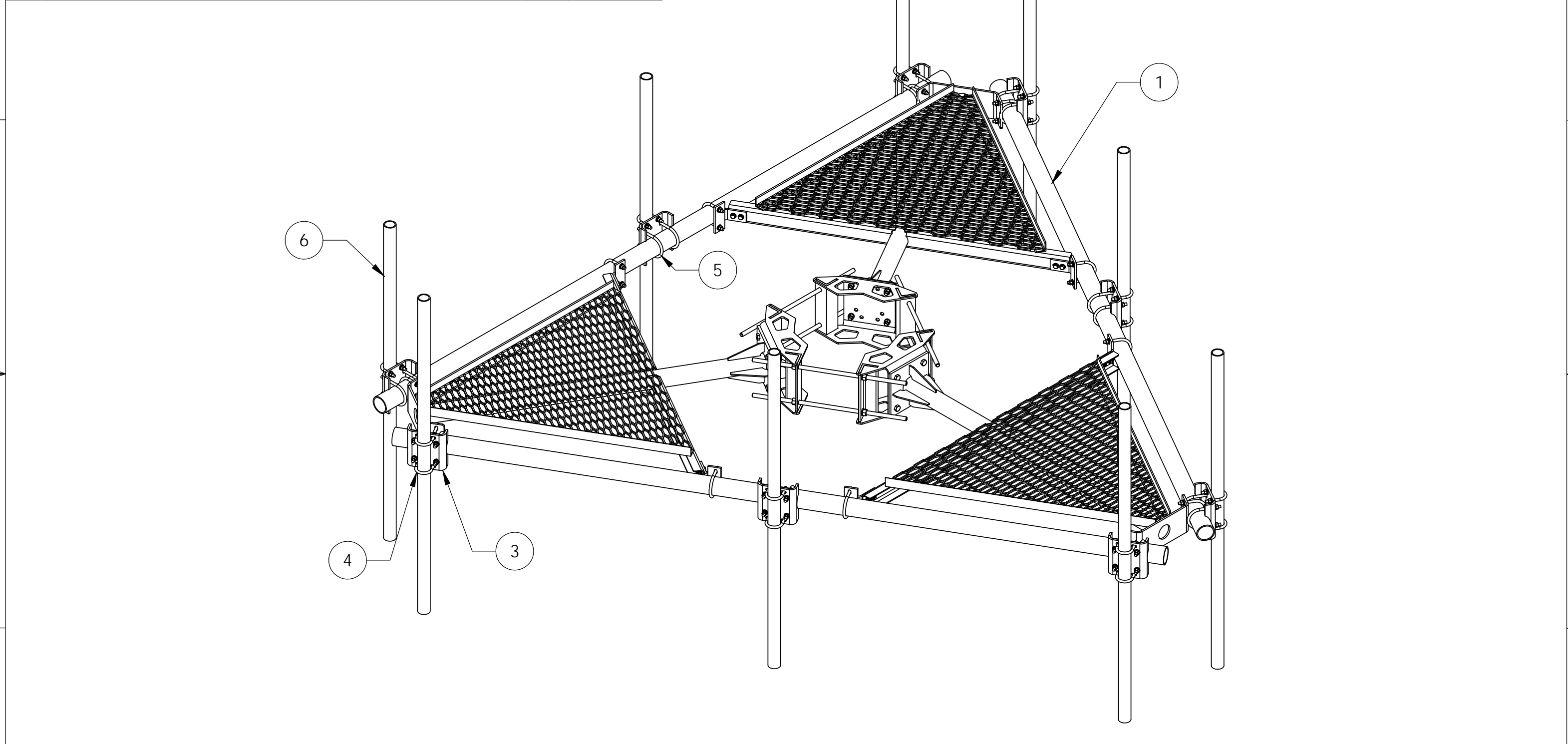
REVISIONS				
REV.	ZONE	DESCRIPTION	BY	DATE
A		INITIAL RELEASE	DI	02/25/05
B		UPDATE ITEM #2 & HARDWARE KIT	ACG	08/12/08
C		UPDATE RINGMOUNT	MSM	08/02/11
D		UPDATE MT19601 AND MT19617	MSM	09/20/11




- NOTES:
1. PLATFORM FOR USE WITH $\phi 10''$ TO $\phi 30''$ MONOPOLES
 2. UP TO 5% ADDITIONAL HARDWARE INCLUDED.

<small>These drawings and specifications are the proprietary property of ANDREW CORPORATION and may be used only for the specific purpose authorized in writing by Andrew Corporation.</small> ALL DIMENSIONS ARE IN INCHES U.O.S. TOLERANCES UNLESS OTHERWISE SPECIFIED: .X = $\pm .12$ ANGLES $\pm 2'$.XX = $\pm .06$ FRACTIONS $\pm 1/32$.XXX = $\pm .03$ REMOVE BURRS AND BREAK EDGES .005 DO NOT SCALE THIS PRINT	DRAWN BY: DI	SHEET: 1 of 4	PART NUMBER: MC-PK12S-B Series
	CHECKED BY: TP	SCALE: NTS	DESCRIPTION: LOW PROFILE CO-LOCATION PLATFORM BASE
	DATE: 02/25/05	MATERIAL: A36, A53, A500	DRAWING TYPE: ASSEMBLY DRAWING
	REVISION: D	FINISH: GALV A123	WEIGHT: 863.84 LBS

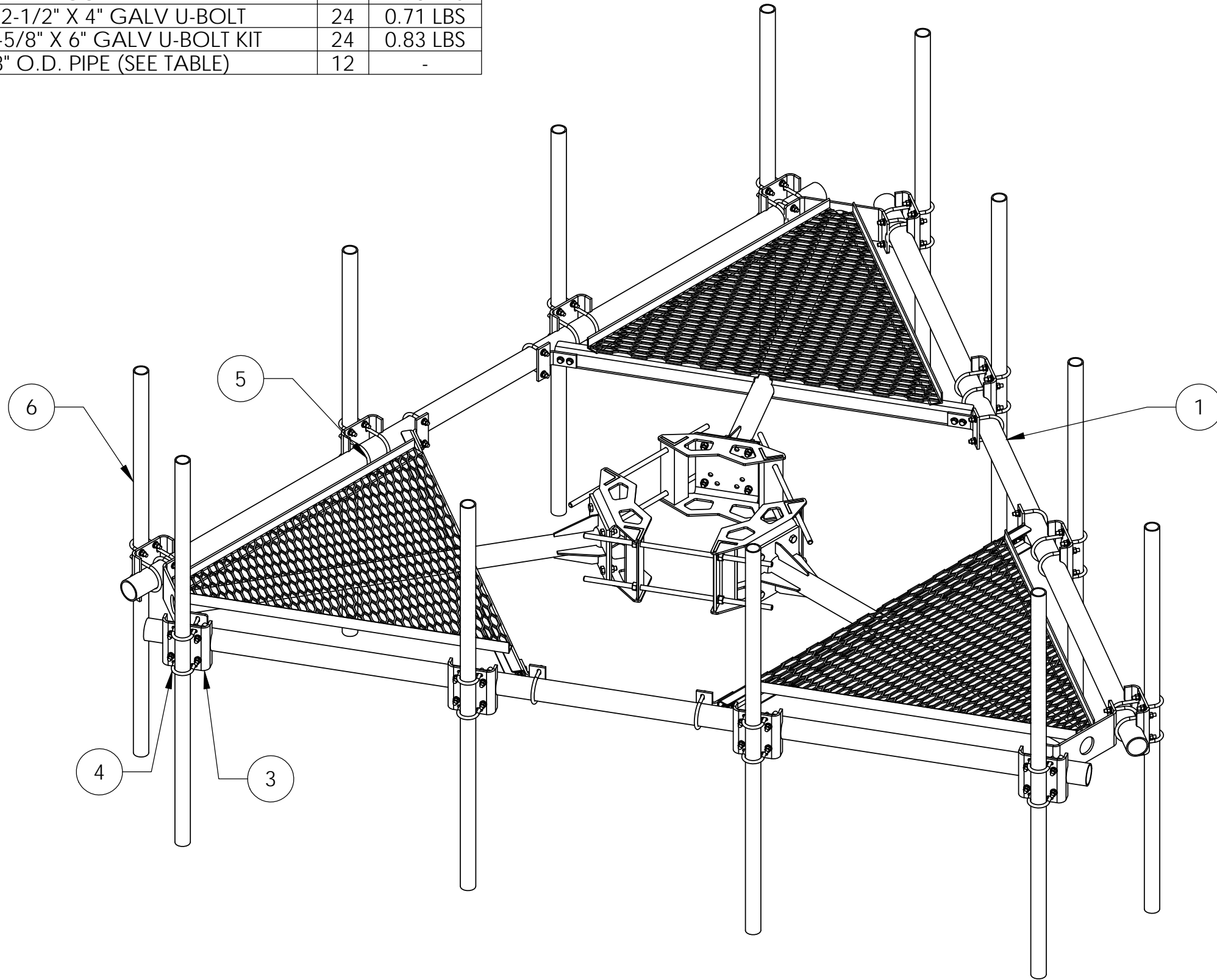
ITEM	PART NO.	DESCRIPTION	QTY.	WEIGHT
1	MC-PK12S-B	LOW PROFILE CO-LOCATION PLATFORM KIT	1	863.84 LBS
2	MT-219-H	HARDWARE KIT (Next 3 Items)	9	
3	MT217.01	PIPE MOUNT PLATE	9	7.93 LBS
4	GUB-4240	1/2" X 2-1/2" X 4" GALV U-BOLT	18	0.71 LBS
5	GUB-4356	1/2" X 3-5/8" X 6" GALV U-BOLT KIT	18	0.83 LBS
6	MT-XXXX	2-3/8" O.D. PIPE (SEE TABLE)	9	-



PLATFORM #	PIPE LENGTH	PIPE #	QTY.	WEIGHT
MC-PK12S-9-72	2.375" x 72" PIPE	MT-651	9	1137.1 LBS
MC-PK12S-9-96	2.375" x 96" PIPE	MT-651-96	9	1204.8 LBS
MC-PK12S-9-126	2.375" x 126" PIPE	MT-537	9	1287.3 LBS

<small>These drawings and specifications are the proprietary property of ANDREW CORPORATION and may be used only for the specific purpose authorized in writing by Andrew Corporation.</small> <small>ALL DIMENSIONS ARE IN INCHES U.O.S. TOLERANCES UNLESS OTHERWISE SPECIFIED:</small> .X = .12 ANGLES 2' .XX = .06 FRACTIONS 1/32 .XXX = .03 <small>REMOVE BURRS AND BREAK EDGES .005</small> DO NOT SCALE THIS PRINT	<small>DRAWN BY:</small> DI	<small>SHEET:</small> 2 of 4	<small>PART NUMBER:</small> MC-PK12S-9 Series
	<small>CHECKED BY:</small> TP	<small>SCALE:</small> NTS	<small>DESCRIPTION:</small> LOW PROFILE CO-LOCATION PLATFORM BASE w/ 9 PIPE MOUNTS
	<small>DATE:</small> 02/25/05	<small>MATERIAL:</small> A36, A53, A500	<small>DRAWING TYPE:</small> ASSEMBLY DRAWING
	<small>REVISION:</small> D	<small>FINISH:</small> GALV A123 <small>WEIGHT:</small> SEE TABLE	 <small>ORLAND PARK, IL. 60462 U.S.A.</small>

ITEM	PART NO.	DESCRIPTION	QTY.	WEIGHT
1	MC-PK12S-B	LOW PROFILE CO-LOCATION PLATFORM KIT	1	863.84 LBS
2	MT-219-H	HARDWARE KIT (Next 3 Items)	12	
3	MT217.01	PIPE MOUNT PLATE	12	7.93 LBS
4	GUB-4240	1/2" X 2-1/2" X 4" GALV U-BOLT	24	0.71 LBS
5	GUB-4356	1/2" X 3-5/8" X 6" GALV U-BOLT KIT	24	0.83 LBS
6	MT-XXXX	2-3/8" O.D. PIPE (SEE TABLE)	12	-



PLATFORM #	PIPE LENGTH	PIPE #	QTY.	WEIGHT
MC-PK12S-12-72	2.375" x 72" PIPE	MT-651	12	1236.4 LBS
MC-PK12S-12-96	2.375" x 96" PIPE	MT-651-96	12	1326.8 LBS
MC-PK12S-12-126	2.375" x 126" PIPE	MT-537	12	1436.8 LBS

These drawings and specifications are the proprietary property of ANDREW CORPORATION and may be used only for the specific purpose authorized in writing by Andrew Corporation.

ALL DIMENSIONS ARE IN INCHES U.O.S.
TOLERANCES UNLESS OTHERWISE SPECIFIED:
.X = .12 ANGLES 2'
.XX = .06 FRACTIONS 1/32
.XXX = .03

REMOVE BURRS AND BREAK EDGES .005

DO NOT SCALE THIS PRINT

DRAWN BY: DJ
CHECKED BY: TP
DATE: 02/25/05
REVISION: D

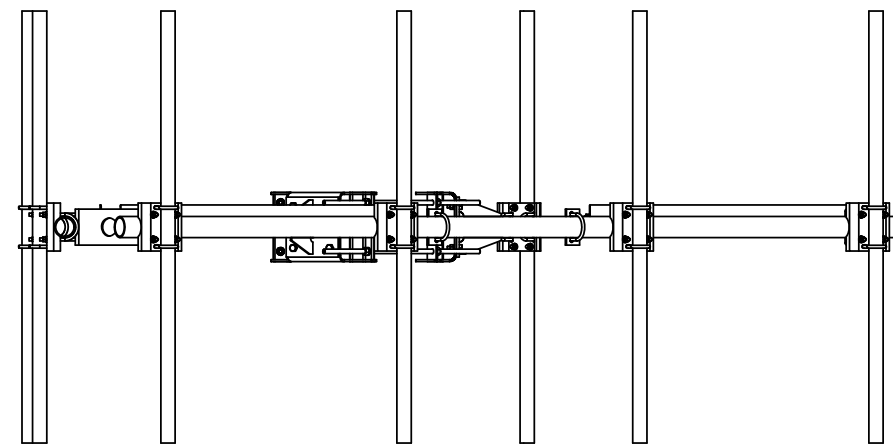
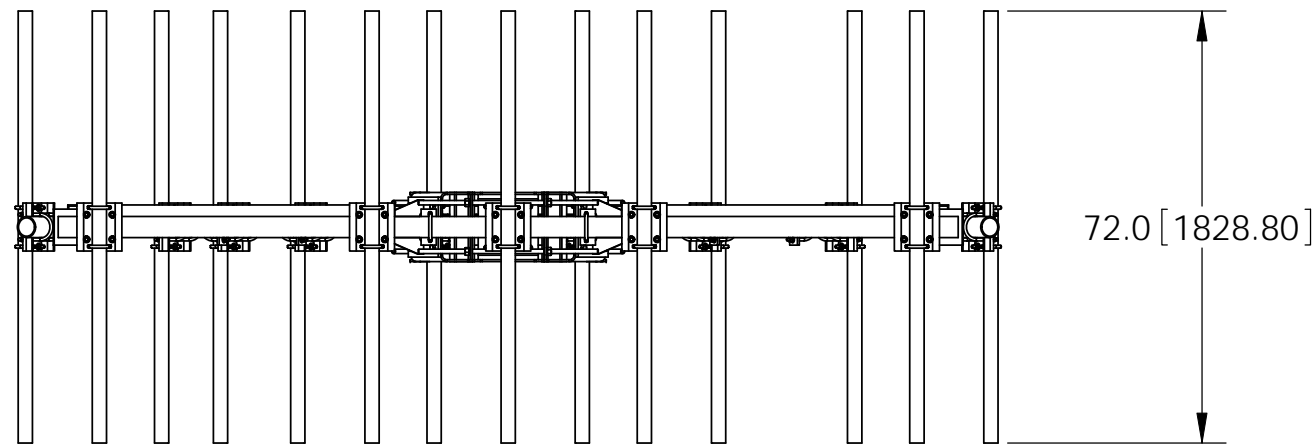
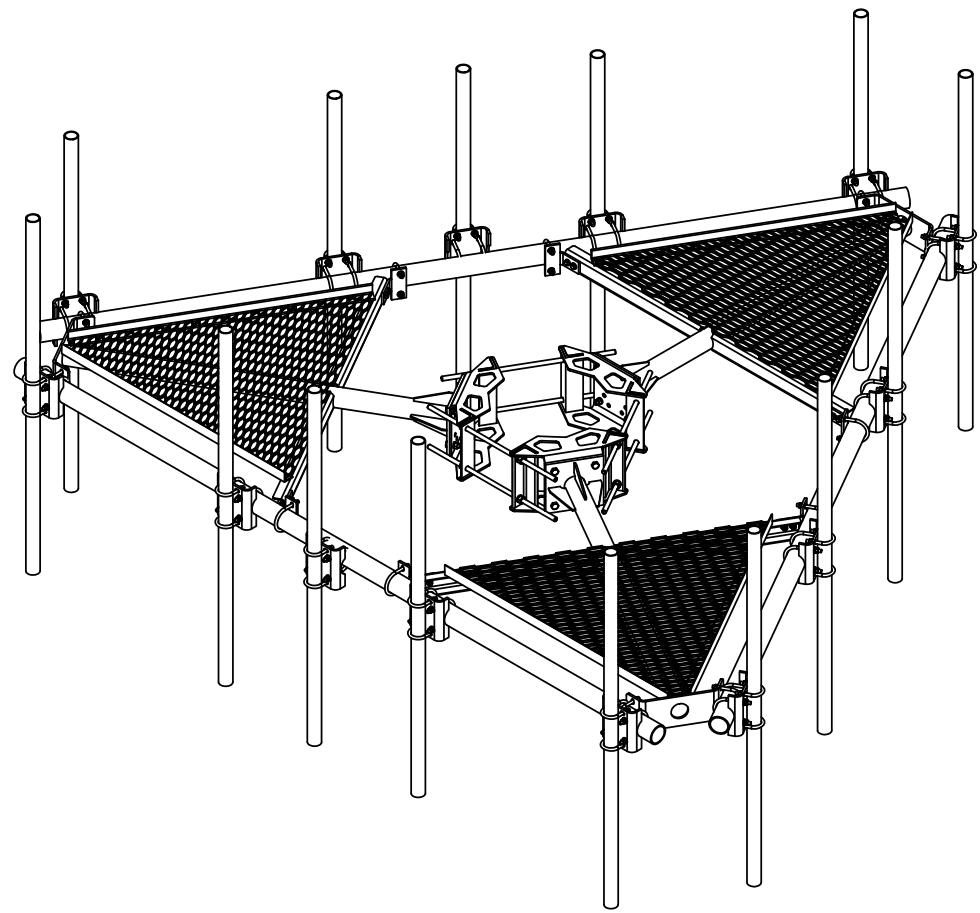
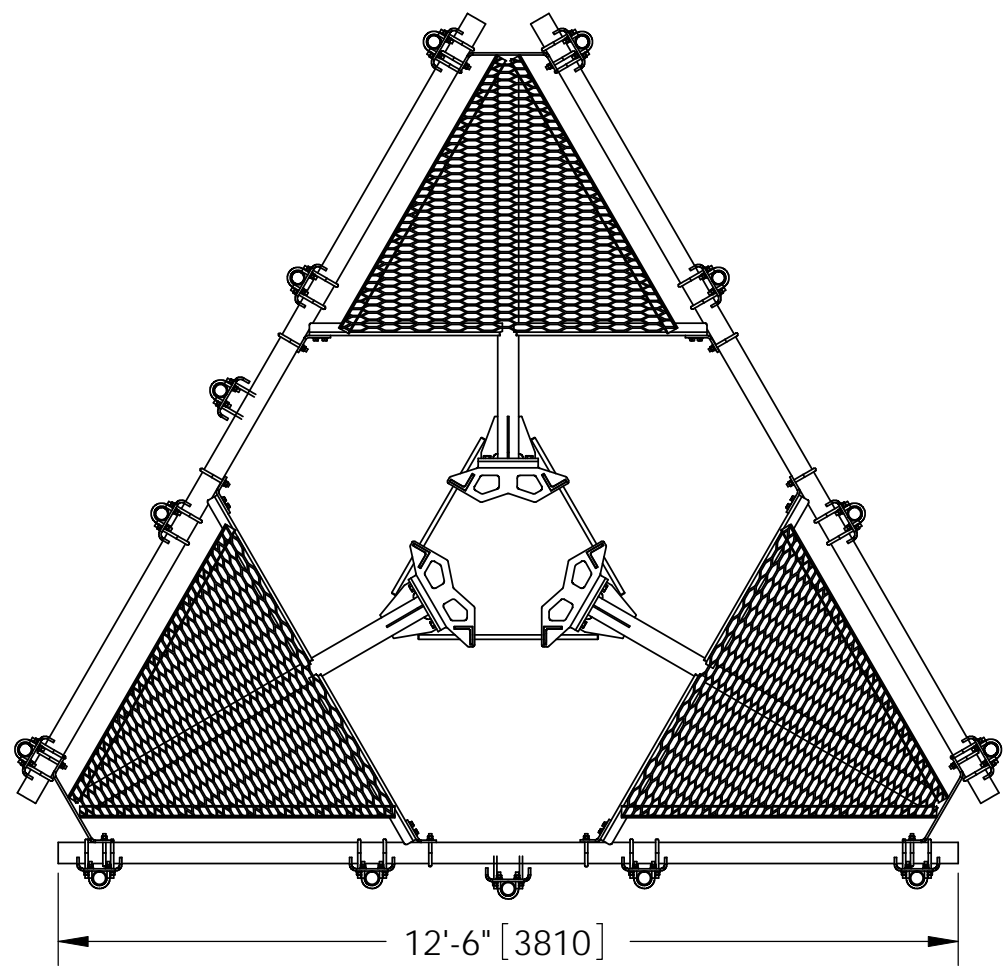
SHEET: 3 of 4
SCALE: NTS
MATERIAL: A36, A53, A500
FINISH: GALV A123
WEIGHT: SEE TABLE

PART NUMBER: MC-PK12S-12 Series


DESCRIPTION: LOW PROFILE CO-LOCATION PLATFORM BASE w/ 12 PIPE MOUNTS

DRAWING TYPE: ASSEMBLY DRAWING

ANDREW®
ORLAND PARK, IL. 60462 U.S.A.



MC-PK12S-12-72 SHOWN

<p>These drawings and specifications are the proprietary property of ANDREW CORPORATION and may be used only for the specific purpose authorized in writing by Andrew Corporation.</p> <p>ALL DIMENSIONS ARE IN INCHES U.O.S. TOLERANCES UNLESS OTHERWISE SPECIFIED:</p> <p>.X = ± .12 ANGLES ±2° .XX = ± .06 FRACTIONS ±1/32 .XXX = ± .03</p> <p>REMOVE BURRS AND BREAK EDGES .005</p> <p>DO NOT SCALE THIS PRINT</p>	DRAWN BY: DI	SHEET: 4 of 4	PART NUMBER: MC-PK12S-B SERIES
	CHECKED BY: TP	SCALE: NTS	DESCRIPTION: LOW PROFILE CO LOCATION PLATFORM KIT
	DATE: 02/25/05	MATERIAL: A36, A53, A500	DRAWING TYPE: ASSEMBLY DRAWING
	REVISION: D	FINISH: GALV A123	 <p>ORLAND PARK, IL. 60462 U.S.A.</p>
	WEIGHT: 1327.47 LBS		