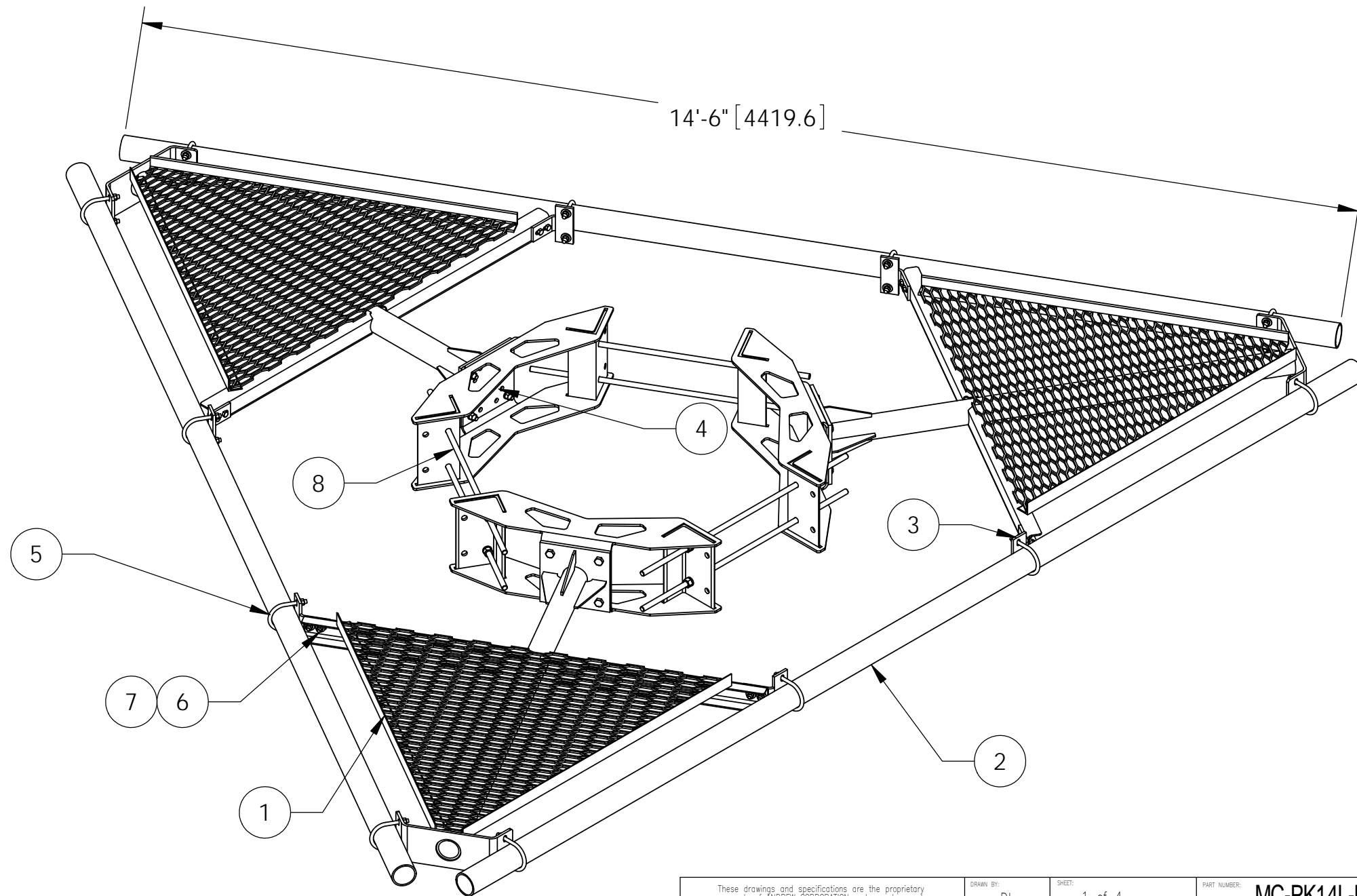


ITEM	PART NO.	DESCRIPTION	QTY.	WEIGHT
1	MT196.01	Low Profile Co-Location Platform 12'-6"	3	155.55 LBS
2	MT-547-174	3½" O.D. X 14'-6" GALV. PIPE	3	109.73 LBS
3	MT196.17	MT196 Pipe Mount Plate	6	2.49 LBS
4	GB-0520A	5/8" X 2" GALV BOLT KIT (A325)	12	0.30 LBS
5	GUB-4355	1/2" X 3-5/8" X 5" GALV U-BOLT KIT	12	0.71 LBS
6	GB-04145	1/2" X 1-1/2" GALV BOLT KIT	12	0.13 LBS
7	GWF-04	1/2" GALV FLAT WASHER	12	0.03 LBS
8	MT38440	3/4" X 40" GALV THREADED ROD GRADE B7	6	4.98 LBS
9	RM3060	30"-60" Ring Mount Weldment	3	63.09 LBS
10	GWL-06	3/4" GALV LOCK WASHER	12	0.04 LBS
11	GN-06	3/4" GALV HEX NUT	12	0.12 LBS

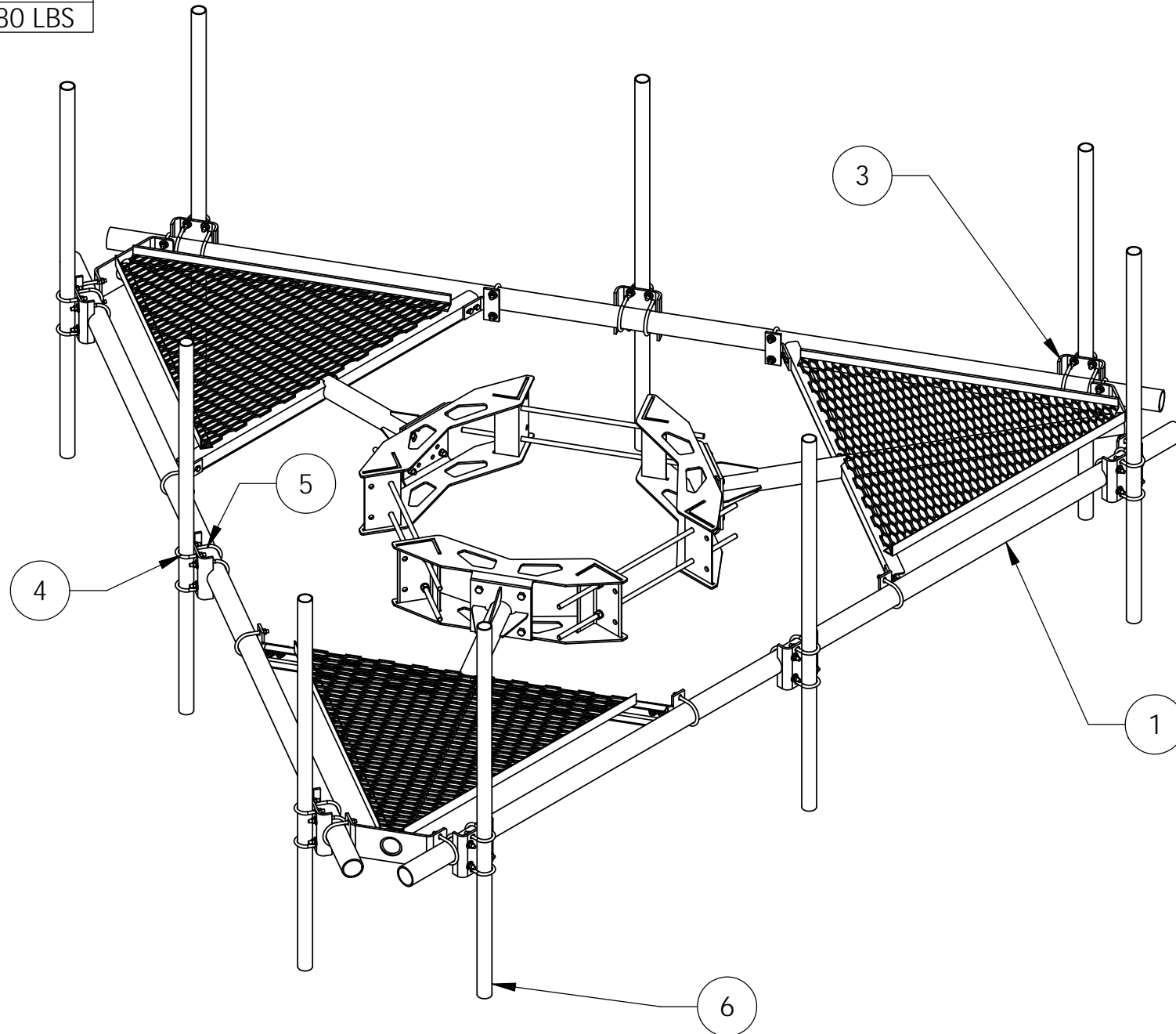
REVISIONS				
REV.	ZONE	DESCRIPTION	BY	DATE
A		INITIAL RELEASE	DI	02/29/05
B		NEW DESIGN OF ITEM #2 & UPDATE HARDWARE KIT	ACG	08/12/08
C		UPDATE RINGMOUNT	MSM	08/02/11
D		UPDATE VIEWS ON SHEETS 3 AND 4	MSM	02/20/13
E		UPDATE MT19601	MSM	04/10/14



- NOTES:
1. PLATFORM FOR USE WITH $\phi 30''$ TO $\phi 60''$ MONOPOLES.
 2. UP TO 5% ADDITIONAL HARDWARE INCLUDED.

<small>These drawings and specifications are the proprietary property of ANDREW CORPORATION and may be used only for the specific purpose authorized in writing by Andrew Corporation.</small> ALL DIMENSIONS ARE IN INCHES U.O.S. TOLERANCES UNLESS OTHERWISE SPECIFIED: .X = ± .12 ANGLES ±2° .XX = ± .06 FRACTIONS ±1/32 .XXX = ± .03 REMOVE BURRS AND BREAK EDGES .005 DO NOT SCALE THIS PRINT	DRAWN BY: DI	SHEET: 1 of 4	PART NUMBER: MC-PK14L-B Series
	CHECKED BY: TP	SCALE: NTS	DESCRIPTION: Low Profile Co-Location Platform 14'-6"
	DATE: 02/28/05	MATERIAL: A36, A53, A500	DRAWING TYPE: ASSEMBLY DRAWING
	REVISION: E	FINISH: GALV A123	WEIGHT: 1050.12 LBS

ITEM	PART NO.	DESCRIPTION	QTY.	WEIGHT
1	MC-PK14L-B	LOW PROFILE CO-LOCATION PLATFORM KIT	1	1050.12 LBS
2	MT-219-H	HARDWARE KIT (Next 3 Items)	9	
3	MT217.01	PIPE MOUNT PLATE	9	7.93 LBS
4	GUB-4240	1/2" X 2-1/2" X 4" GALV U-BOLT	18	0.56 LBS
5	GUB-4356	1/2" X 3-5/8" X 6" GALV U-BOLT	18	0.82 LBS
6	MT-651	2.375" OD x 72" PIPE	9	21.80 LBS




PLATFORM #	PIPE LENGTH	PIPE #	QTY.	WEIGHT
MC-PK14L-9-72	2.375" O.D. x 72" PIPE	MT-651	9	1375.76 LBS
MC-PK14L-9-96	2.375" O.D. x 96" PIPE	MT-651-96	9	1438.75 LBS
MC-PK14L-9-126	2.375" O.D. x 126" PIPE	MT-537	9	1520.98 LBS

These drawings and specifications are the proprietary property of ANDREW CORPORATION and may be used only for the specific purpose authorized in writing by Andrew Corporation.

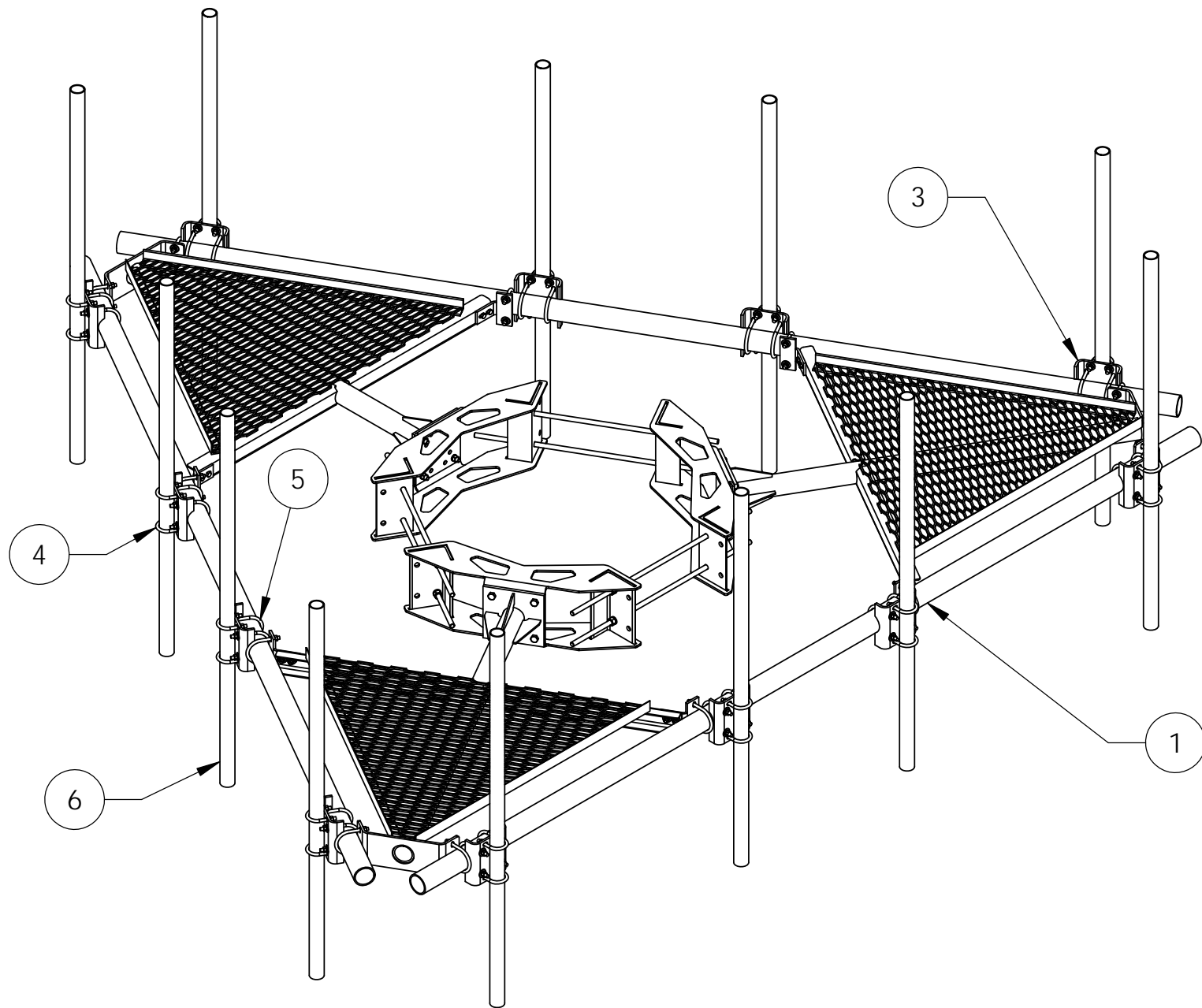
ALL DIMENSIONS ARE IN INCHES U.O.S.
TOLERANCES UNLESS OTHERWISE SPECIFIED:
.X = .12 ANGLES 2'
.XX = .06 FRACTIONS 1/32
.XXX = .03

REMOVE BURRS AND BREAK EDGES .005

DO NOT SCALE THIS PRINT

DRAWN BY: DI	SHEET: 2 of 4	PART NUMBER: MT-PK14L-9
CHECKED BY: TP	SCALE: NTS	DESCRIPTION: Low Profile Co-Location Platform 14'-6"
DATE: 02/28/05	MATERIAL: A36, A53, A500	DRAWING TYPE: ASSEMBLY DRAWING
REVISION: E	FINISH: GALV A123	 ORLAND PARK, IL. 60462 U.S.A.
	WEIGHT: SEE TABLE	

ITEM	PART NO.	DESCRIPTION	QTY.	WEIGHT
1	MC-PK14L-B	LOW PROFILE CO-LOCATION PLATFORM KIT	1	1050.12 LBS
2	MT-219-H	HARDWARE KIT (Next 3 Items)	12	
3	MT217.01	PIPE MOUNT PLATE	12	7.93 LBS
4	GUB-4240	1/2" X 2-1/2" X 4" GALV U-BOLT	24	0.56 LBS
5	GUB-4356	1/2" X 3-5/8" X 6" GALV U-BOLT	24	0.82 LBS
6	MT-537	Ø 2.375" OD x 126" PIPE	12	38.49 LBS



PLATFORM #	PIPE LENGTH	PIPE #	QTY.	WEIGHT
MC-PK14L-12-72	2.375" O.D. x 72" PIPE	MT-651	12	1471.27 LBS
MC-PK14L-12-96	2.375" O.D. x 96" PIPE	MT-651-96	12	1559.26 LBS
MC-PK14L-12-126	2.375" O.D. x 126" PIPE	MT-537	12	1669.24 LBS

These drawings and specifications are the proprietary property of ANDREW CORPORATION and may be used only for the specific purpose authorized in writing by Andrew Corporation.

ALL DIMENSIONS ARE IN INCHES U.O.S.
TOLERANCES UNLESS OTHERWISE SPECIFIED:
.X = .12 ANGLES 2'
.XX = .06 FRACTIONS 1/32
.XXX = .03

REMOVE BURRS AND BREAK EDGES .005

DO NOT SCALE THIS PRINT

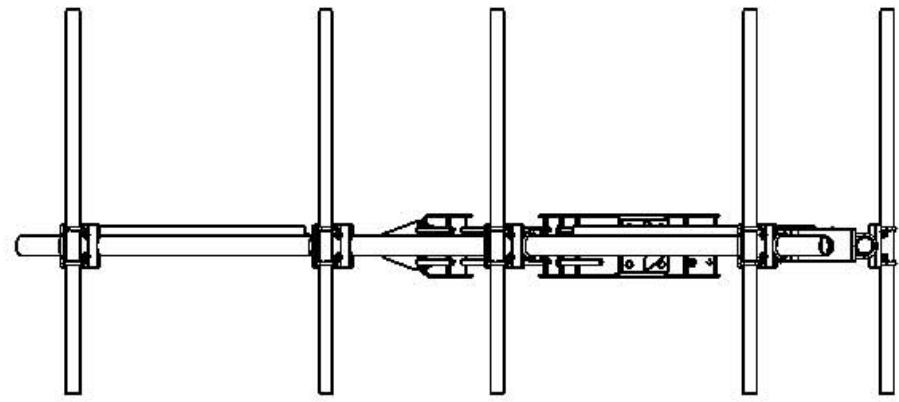
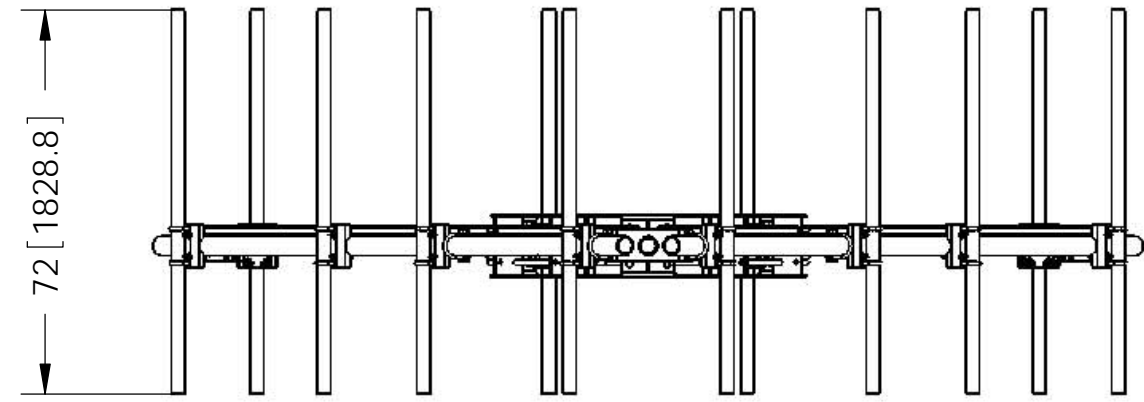
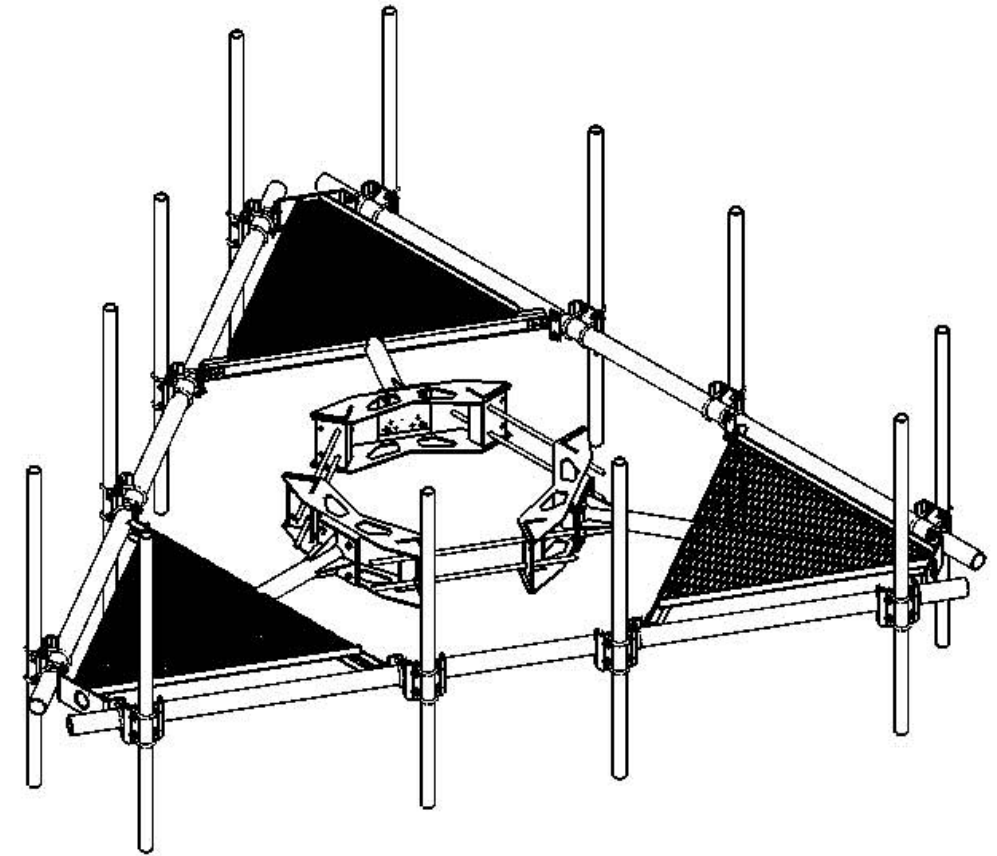
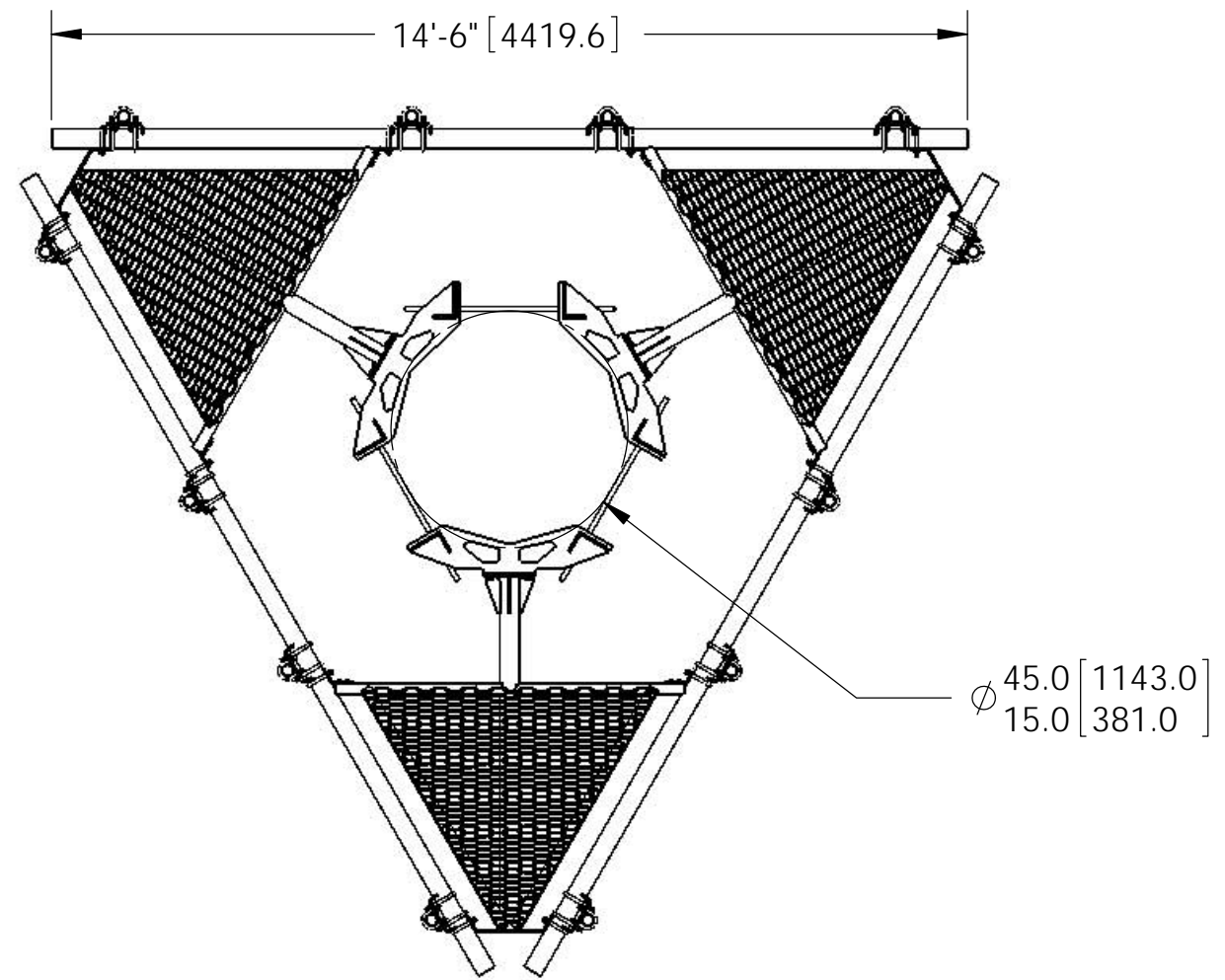
DRAWN BY: DJ	SHEET: 3 of 4
CHECKED BY: TP	SCALE: NTS
DATE: 02/28/05	MATERIAL: A36, A53, A500
REVISION: E	FINISH: GALV A123
	WEIGHT: SEE TABLE

PART NUMBER: **MC-PK14L-12-72**


DESCRIPTION:
Low Profile Co-Location Platform 14'-6"

DRAWING TYPE:
ASSEMBLY DRAWING

ANDREW® U.S.A. ORLAND PARK, IL. 60462



MC-PK14L-12-72 SHOWN

<small>These drawings and specifications are the proprietary property of ANDREW CORPORATION and may be used only for the specific purpose authorized in writing by Andrew Corporation.</small> ALL DIMENSIONS ARE IN INCHES U.O.S. <small>TOLERANCES UNLESS OTHERWISE SPECIFIED:</small> .X = ± .12 ANGLES ±2° .XX = ± .06 FRACTIONS ±1/32 .XXX = ± .03 <small>REMOVE BURRS AND BREAK EDGES .005</small> DO NOT SCALE THIS PRINT	<small>DRAWN BY:</small> DJ	<small>SHEET:</small> 4 of 4	<small>PART NUMBER:</small> MC-PK14L-B Series
	<small>CHECKED BY:</small> TP	<small>SCALE:</small> NTS	<small>DESCRIPTION:</small> Low Profile Co-Location Platform 14'-6"
	<small>DATE:</small> 02/28/05	<small>MATERIAL:</small> A36, A53, A500	<small>DRAWING TYPE:</small> ASSEMBLY DRAWING
	<small>REVISION:</small> E	<small>FINISH:</small> GALV A123 <small>WEIGHT:</small> 1515.24 LBS	 ORLAND PARK, IL. 60462 U.S.A.