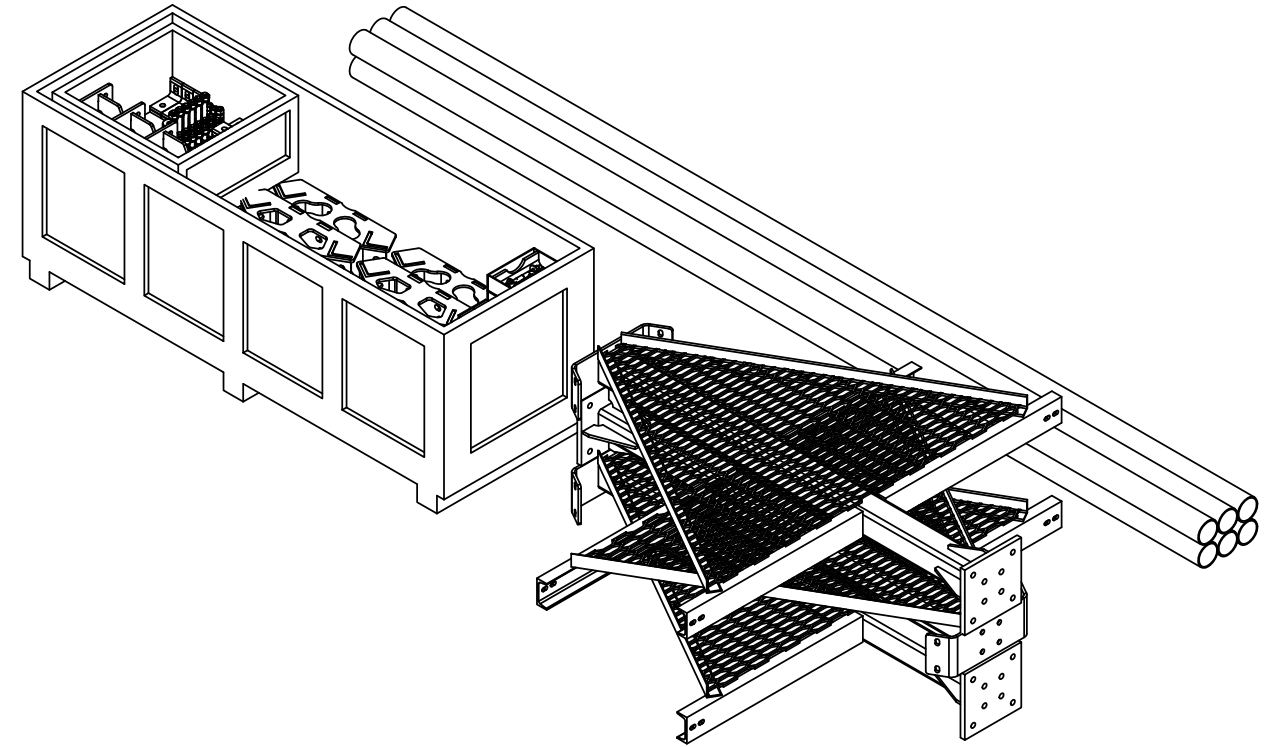


ITEM	PART NO.	DESCRIPTION	QTY.	WEIGHT	NOTE NO.
1	MCHP1214SHK	MC-HP12/14S-12 HARDWARE KIT	1	815.54 LBS	
2	MTC360714....	STEEL BUNDLE SEE TABLE	1	-	3
3	MCHP....	PIPE BUNDLE SEE TABLE	1	-	3

REVISIONS				
REV.	ECN	DESCRIPTION	BY	DATE
A	8000007030	INITIAL RELEASE	MSM	03/23/15
B	8000009889	MTC306503W WAS MTC306503: UPDATED BOM	RJC	9/14/2015
C	8000014273	CHANGED LENGTH OF (12) Ø5/8" BOLTS TO 2-1/2"	DRR	05/19/16



MC-HP12S SERIES & MC-HP14S SERIES

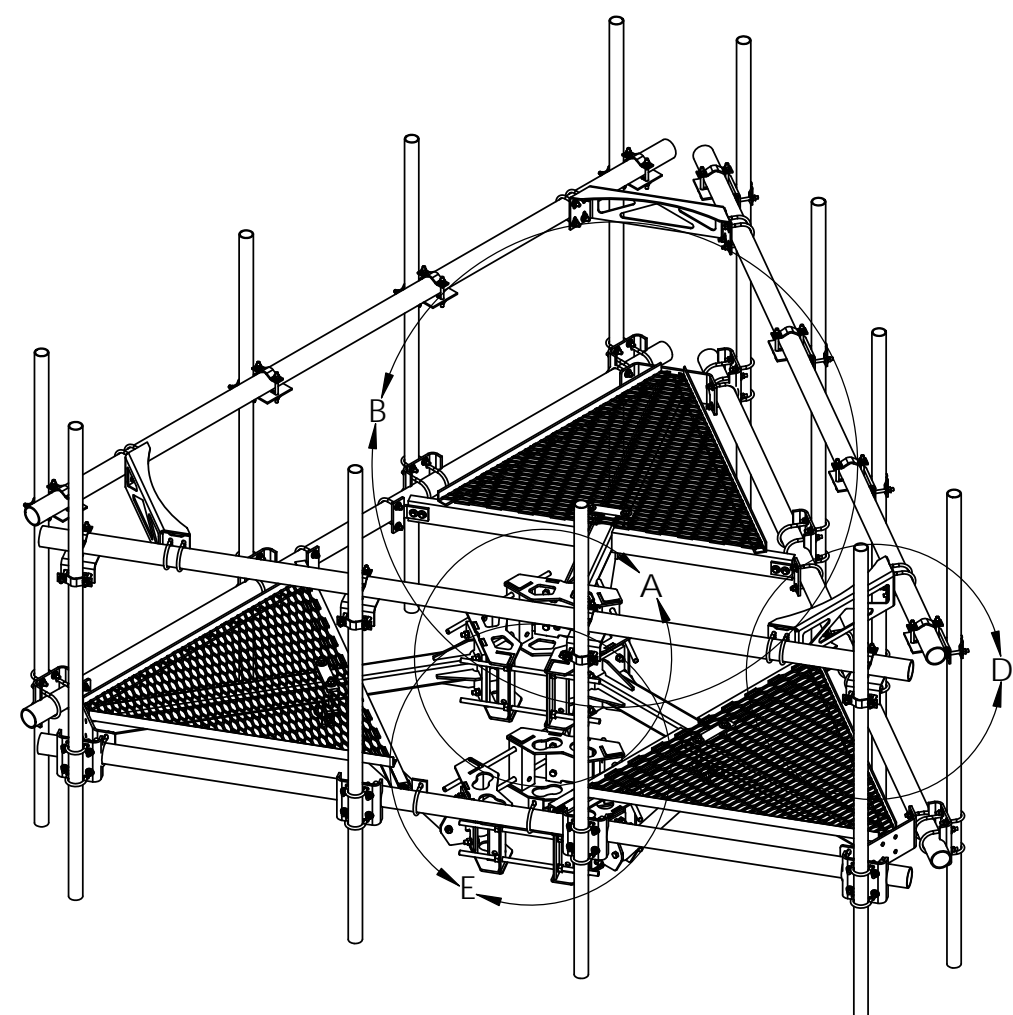
PART NO.	DESCRIPTION	STEEL BUNDLE	PIPE BUNDLE	WEIGHT
MC-HP12S-B	LOAD ENHANCED CO-LOC. PLATFORM, 12'-6" FACE, 10-30, NO PIPE	MTC360714LSB	MCHP12BPB	1792.74 LBS
MC-HP12S-12-96	LOAD ENHANCED CO-LOC. PLATFORM, 12'-6" FACE, 10-30, (12) 96" PIPE	MTC360714LSB	MCHP1296SB	2141.56 LBS
MC-HP12S-12-126	LOAD ENHANCED CO-LOC. PLATFORM, 12'-6" FACE, 10-30, (12) 126" PIPE	MTC360714LSB	MCHP12126SB	2158.20 LBS
MC-HP14S-B	LOAD ENHANCED CO-LOC. PLATFORM, 14'-6" FACE, 10-30, NO PIPE	MTC360714SSB	MCHP14BPB	1922.23 LBS
MC-HP14S-12-96	LOAD ENHANCED CO-LOC. PLATFORM, 14'-6" FACE, 10-30, (12) 96" PIPE	MTC360714SSB	MTC360714SB	2271.05 LBS
MC-HP14S-12-126	LOAD ENHANCED CO-LOC. PLATFORM, 14'-6" FACE, 10-30, (12) 126" PIPE	MTC360714SSB	MCHP14126SB	2287.69 LBS

NOTES:


1. ALL METRIC DIMENSIONS ARE IN BRACKETS.
2. CUSTOMER ASSEMBLY SHEETS 2-5.
3. SEE TABLE FOR PIPE AND STEEL BUNDLES.

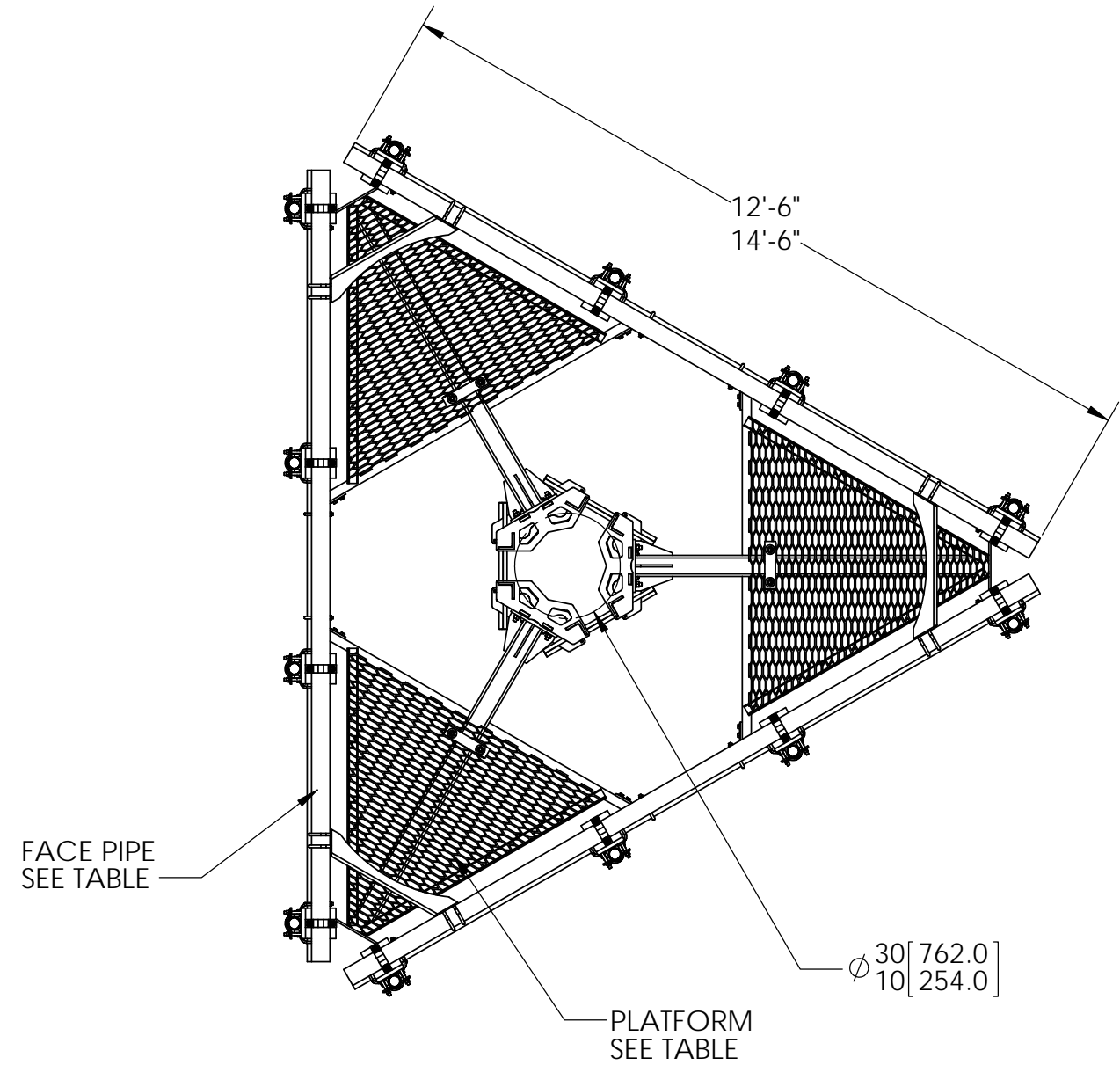
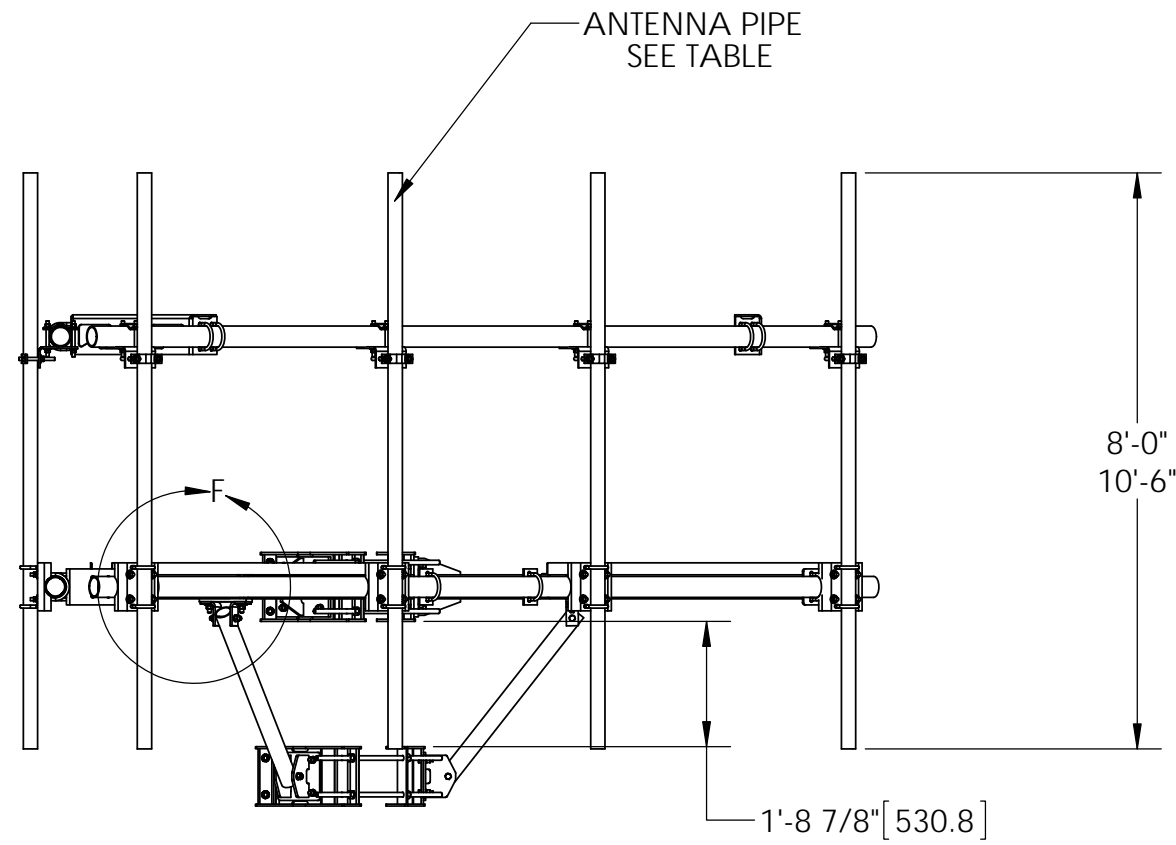
These drawings and specifications are the proprietary property of CommScope Inc. and may be used only for the specific purpose authorized in writing by CommScope Inc. ALL DIMENSIONS ARE IN INCHES U.O.S. TOLERANCES UNLESS OTHERWISE SPECIFIED: .X = ± .12 ANGLES ±2° .XX = ± .06 FRACTIONS ±1/32 .XXX = ± .03 REMOVE BURRS AND BREAK EDGES .005 DO NOT SCALE THIS PRINT	DRAWN BY: MSM	SHEET: 1 of 5	PART NUMBER: MC-HP12S SERIES	
	CHECKED BY: TP	SCALE: NTS	DESCRIPTION: LOAD ENHANCED CO-LOCATION PLATFORM, 10-30	
	DATE: 02/13/15	MATERIAL: A36, A500, A529	DRAWING TYPE: ASSEMBLY DRAWING	 Hickory, NC 28602 U.S.A.
	REVISION: C	FINISH: GALV A123	WEIGHT: SEE TABLE	

ITEM	PART NO.	DESCRIPTION	QTY.	WEIGHT	NOTE NO.
1	MTC306503W	1030 Ringmount Weldment	3	31.09 LBS	
2	MT38424	3/4" X 24" GALV THREADED ROD	12	2.99 LBS	
3	GWL-06	3/4" GALV LOCK WASHER	24	0.04 LBS	
4	GN-06	3/4" GALV HEX NUT	24	0.15 LBS	
5	MTC360701	LOW PROFILE PLATFORM WLDMNT 30-60 RM	3	-	1
6	RM1030305	10-30 3-SECTOR RM WLDMNT	3	44.32 LBS	
7	GB-0520A	5/8" X 2" GALV BOLT KIT (A325)	12	0.26 LBS	
8	GUB-4356	1/2" X 3-5/8" X 6" GALV U-BOLT	24	0.81 LBS	
9	GUB-4240	1/2" X 2-1/2" X 4" GALV U-BOLT	24	0.56 LBS	
10	MTC323704	Clamp Bar	6	2.37 LBS	
11	RK01	KICKER STANDOFF WELDMENT	3	12.54 LBS	
12	RK36	KICKER ARM SUPPORT TUBE , 36"	3	16.02 LBS	
13	RK02	CONNECTION BRACKET	6	1.21 LBS	
14	GWL-05	5/8" GALV LOCK WASHER	13	0.03 LBS	
15	GB-0546A	5/8" X 4-3/4" GALV BOLT KIT A325	6	0.50 LBS	
16	MT-381-8	5/8" X 8" GALV THREADED ROD	6	0.69 LBS	
17	GWF-05	5/8" GALV FLAT WASHER	12	0.06 LBS	
18	GN-05	5/8" GALV HEX NUT	13	0.08 LBS	
19	MT19525	CORNER WELDMENT FOR MT-195	3	14.56 LBS	
20	GUB-4355	1/2" X 3-5/8" X 5" GALV U-BOLT	24	0.70 LBS	
21	GB-04145	1/2" X 1-1/2" GALV BOLT KIT	12	0.13 LBS	
22	XAU01	Angle BRK	12	3.59 LBS	
23	ACP10	1.5" - 3.5" O.D. CLAMP HALF	24	0.61 LBS	
24	MT-379-6	1/2" X 6" GALV THREADED ROD	48	0.33 LBS	
25	GWF-04	1/2" GALV FLAT WASHER	120	0.03 LBS	
26	GWL-04	1/2" GALV LOCK WASHER	96	0.01 LBS	
27	GN-04	1/2" GALV HEX NUT	96	0.04 LBS	
28	MT-651-...	Ø 2.375" OD PIPE	12	-	1
29	MT...	Ø 3.5" O.D. PIPE	6	-	1
30	MT19617	MT196 Pipe Mount Plate	6	2.49 LBS	
31	MT21701	PIPE MOUNT PLATE	12	7.93 LBS	
32	MT196H	HARDWARE KIT (ITEM 5 & 6)	1		
33	GB-0524A	5/8" X 2-1/2" GALV BOLT KIT (A325)	12	0.30 LBS	



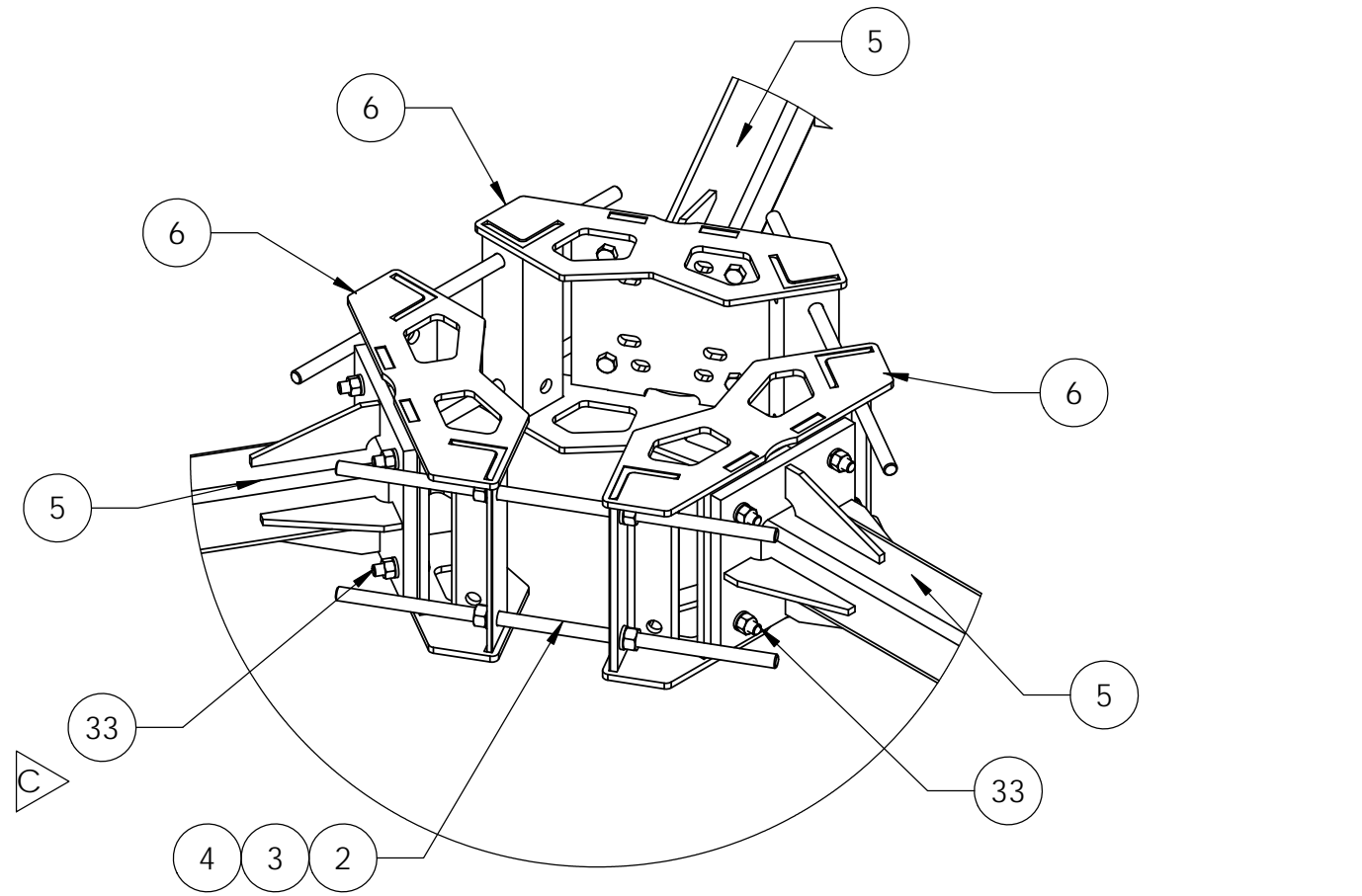
NOTES:
 1. SEE TABLE SHEET 3.
 2. FITS MONOPOLES 10"–30"OD.

<small>These drawings and specifications are the proprietary property of CommScope Inc. and may be used only for the specific purpose authorized in writing by CommScope Inc.</small> <small>ALL DIMENSIONS ARE IN INCHES U.O.S. TOLERANCES UNLESS OTHERWISE SPECIFIED:</small> .X = ± .12 ANGLES ±2° .XX = ± .06 FRACTIONS ±1/32 .XXX = ± .03 <small>REMOVE BURRS AND BREAK EDGES .005</small> DO NOT SCALE THIS PRINT	<small>DRAWN BY:</small> MSM	<small>SHEET:</small> 2 of 5	<small>PART NUMBER:</small> MC-HP12S SERIES
	<small>CHECKED BY:</small> TP	<small>SCALE:</small> NTS	<small>DESCRIPTION:</small> LOAD ENHANCED CO-LOCATION PLATFORM, 10-30
	<small>DATE:</small> 02/13/15	<small>MATERIAL:</small> A36, A500, A529	<small>DRAWING TYPE:</small> ASSEMBLY DRAWING
	<small>REVISION:</small> C	<small>FINISH:</small> Galv A123	 Hickory, NC 28602 U.S.A.
	<small>WEIGHT:</small> SEE TABLE		

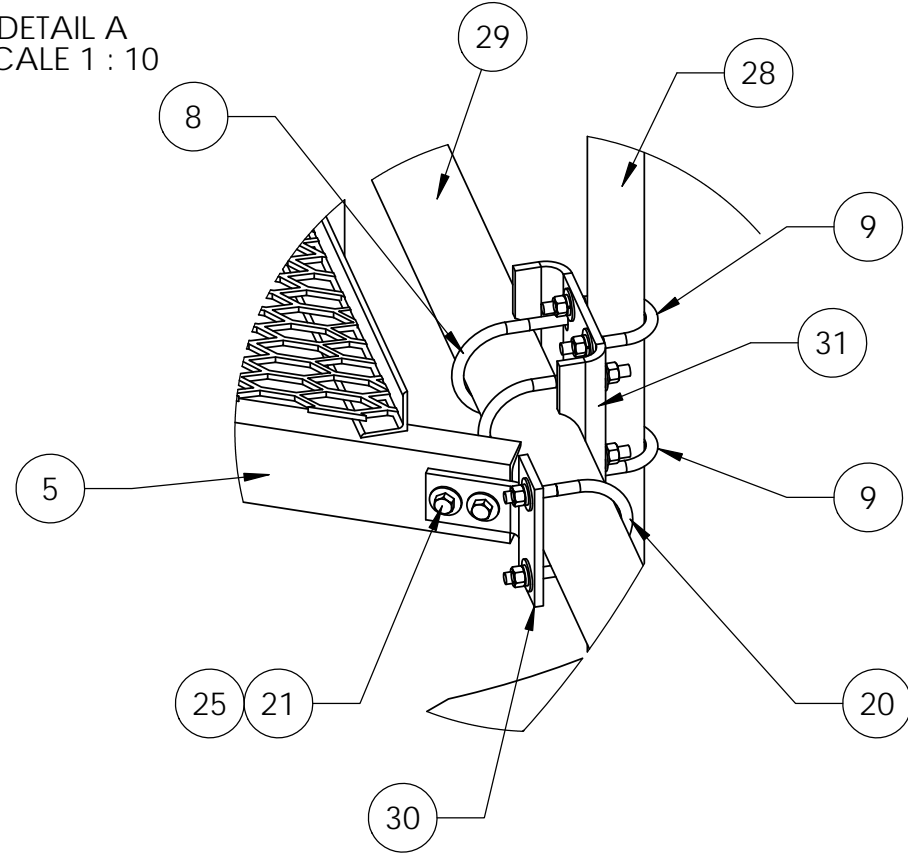


PART NO.	PLATFORM	FACE PIPE	ANTENNA PIPE
MC-HP12S-B	MTC360701	MT21601	NONE
MC-HP12S-12-96	MTC360701	MT21601	MT-651-96
MC-HP12S-12-126	MTC360701	MT21601	MT537
MC-HP14S-B	MTC360711	MT-547-174	NONE
MC-HP14S-12-96	MTC360711	MT-547-174	MT-651-96
MC-HP14S-12-126	MTC360711	MT-547-174	MT537

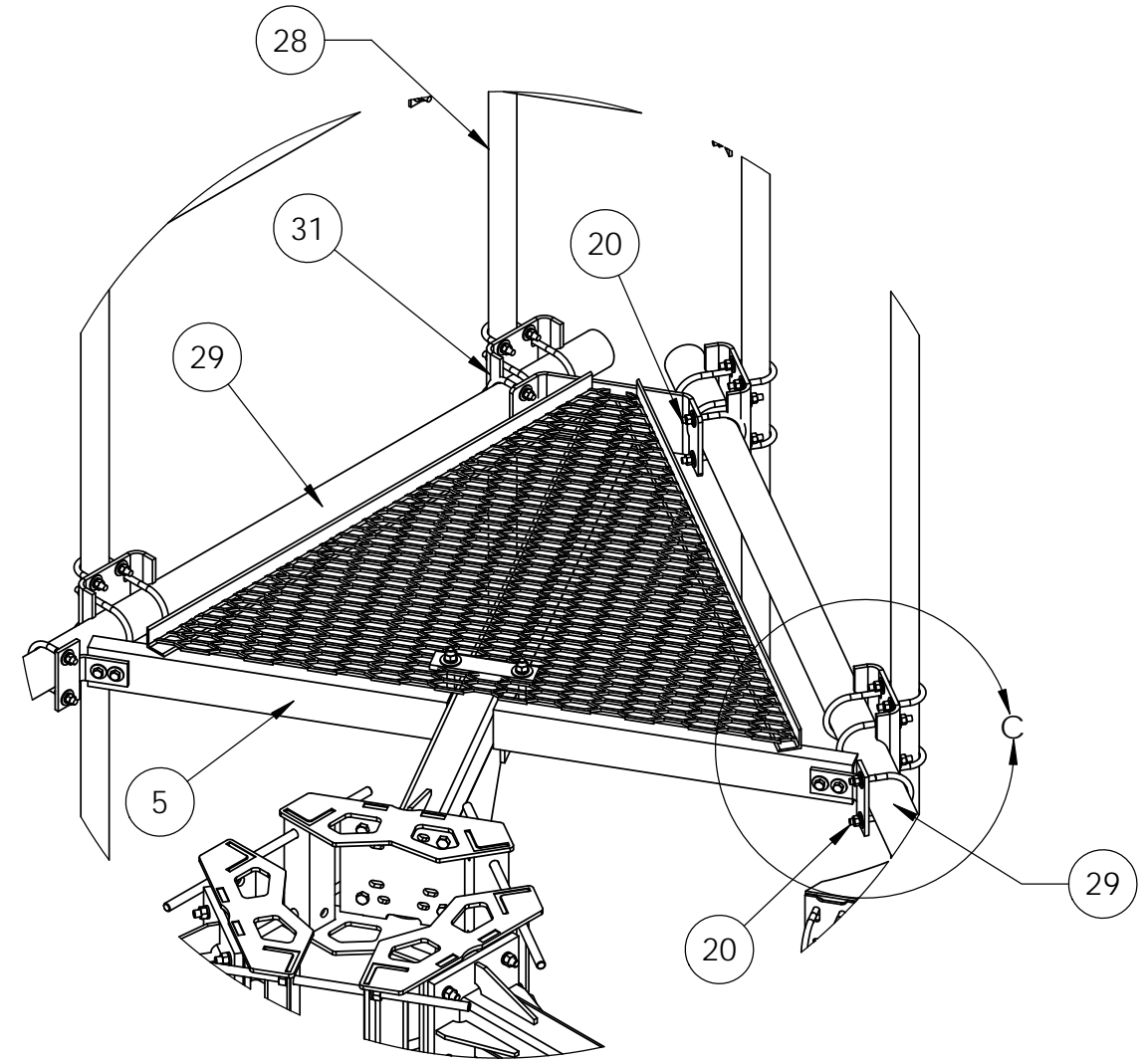
These drawings and specifications are the proprietary property of CommScope Inc. and may be used only for the specific purpose authorized in writing by CommScope Inc. ALL DIMENSIONS ARE IN INCHES U.O.S. TOLERANCES UNLESS OTHERWISE SPECIFIED: .X = ± .12 ANGLES ±2° .XX = ± .06 FRACTIONS ±1/32 .XXX = ± .03 REMOVE BURRS AND BREAK EDGES .005 DO NOT SCALE THIS PRINT	DRAWN BY: MSM	SHEET: 3 of 5	PART NUMBER: MC-HP12S SERIES
	CHECKED BY: TP	SCALE: NTS	DESCRIPTION: LOAD ENHANCED CO-LOCATION PLATFORM, 10-30
	DATE: 02/13/15	MATERIAL: A36, A500, A529	DRAWING TYPE: ASSEMBLY DRAWING
	REVISION: C	FINISH: Galv A123	 Hickory, NC 28602 U.S.A.
	WEIGHT: SEE TABLE		



DETAIL A
SCALE 1 : 10



DETAIL C
SCALE 1 : 8



DETAIL B
SCALE 1 : 16

These drawings and specifications are the proprietary property of CommScope Inc. and may be used only for the specific purpose authorized in writing by CommScope Inc.

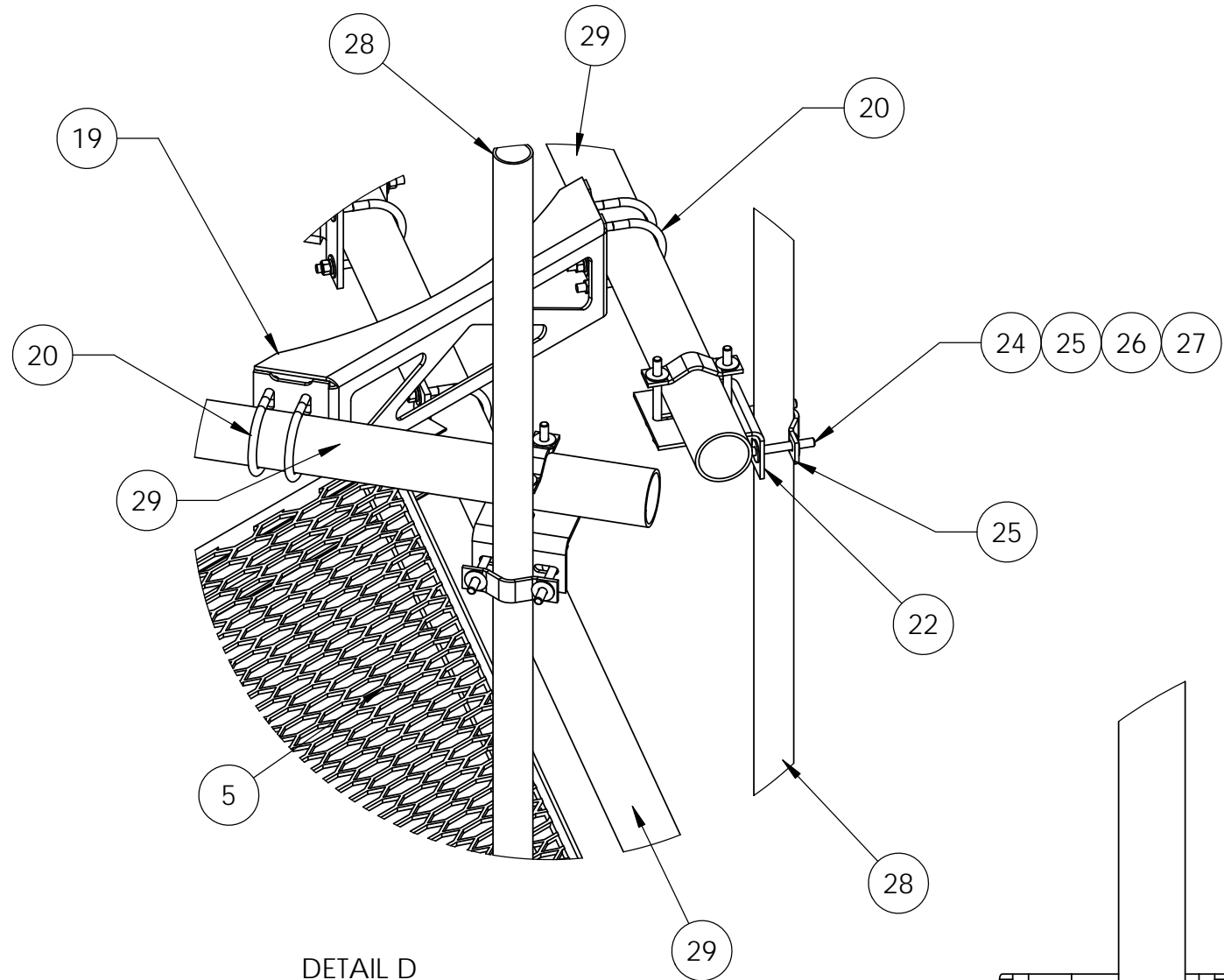
ALL DIMENSIONS ARE IN INCHES U.S.S.
TOLERANCES UNLESS OTHERWISE SPECIFIED:
.X = ± .12 ANGLES ±2°
.XX = ± .06 FRACTIONS ±1/32
.XXX = ± .03

REMOVE BURRS AND BREAK EDGES .005

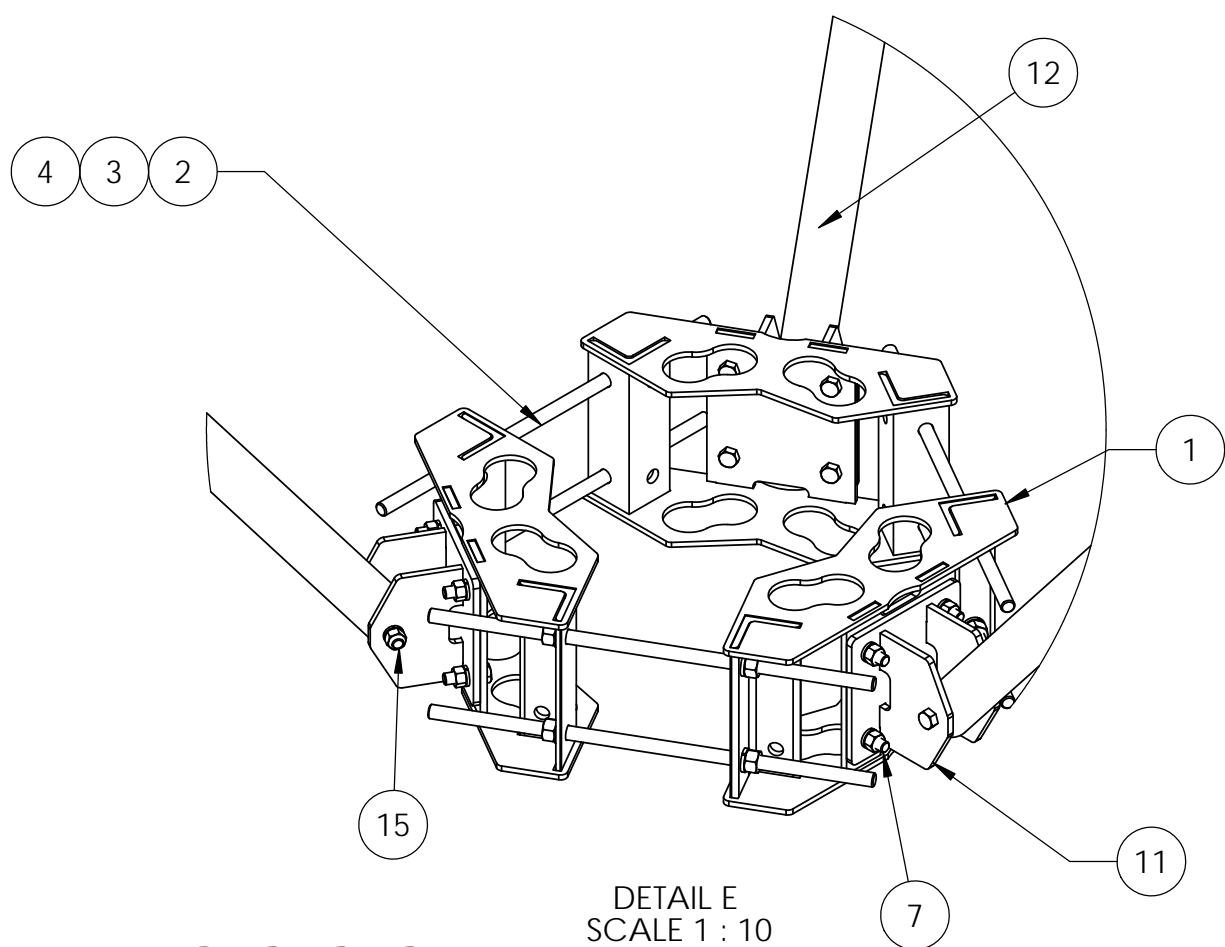
DO NOT SCALE THIS PRINT

DRAWN BY: MSM	SHEET: 4 of 5
CHECKED BY: TP	SCALE: NTS
DATE: 02/13/15	MATERIAL: A36, A500, A529
REVISION: C	FINISH: Galv A123
	WEIGHT: SEE TABLE

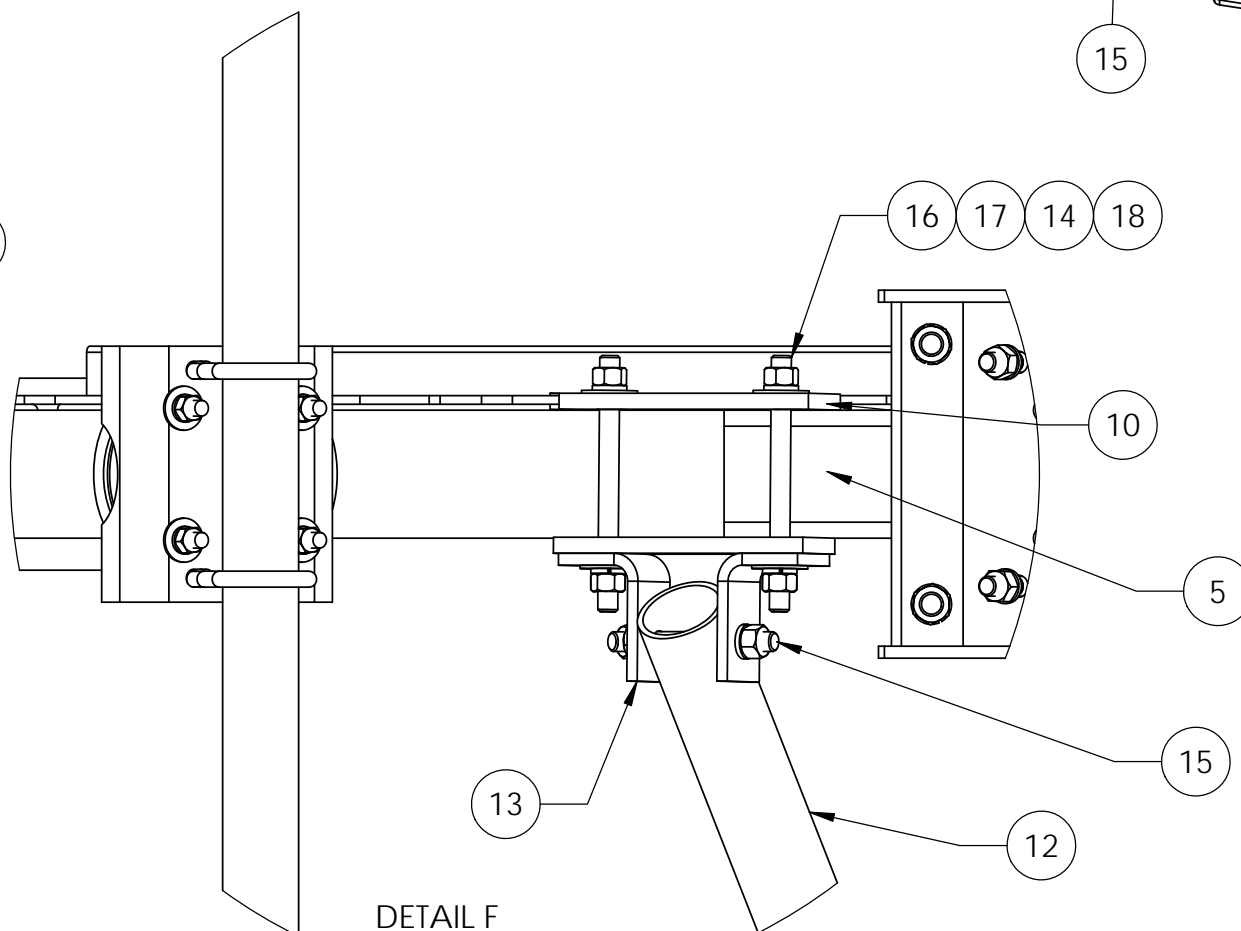
PART NUMBER: MC-HP12S SERIES
DESCRIPTION: LOAD ENHANCED CO-LOCATION PLATFORM, 10-30
DRAWING TYPE: ASSEMBLY DRAWING
COMMSCOPE® Hickory, NC 28602 U.S.A.



DETAIL D
SCALE 1 : 10



DETAIL E
SCALE 1 : 10



DETAIL F
SCALE 1 : 6

These drawings and specifications are the proprietary property of CommScope Inc. and may be used only for the specific purpose authorized in writing by CommScope Inc.

ALL DIMENSIONS ARE IN INCHES U.O.S.
TOLERANCES UNLESS OTHERWISE SPECIFIED:
.X = ± .12 ANGLES ±2°
.XX = ± .06 FRACTIONS ±1/32
.XXX = ± .03

REMOVE BURRS AND BREAK EDGES .005

DO NOT SCALE THIS PRINT

DRAWN BY: MSM	SHEET: 5 of 5
CHECKED BY: TP	SCALE: NTS
DATE: 02/13/15	MATERIAL: A36, A500, A529
REVISION: C	FINISH: Galv A123
	WEIGHT: SEE TABLE

PART NUMBER: MC-HP12S SERIES
DESCRIPTION: LOAD ENHANCED CO-LOCATION PLATFORM, 10-30
DRAWING TYPE: ASSEMBLY DRAWING
COMMSCOPE® Hickory, NC 28602 U.S.A.