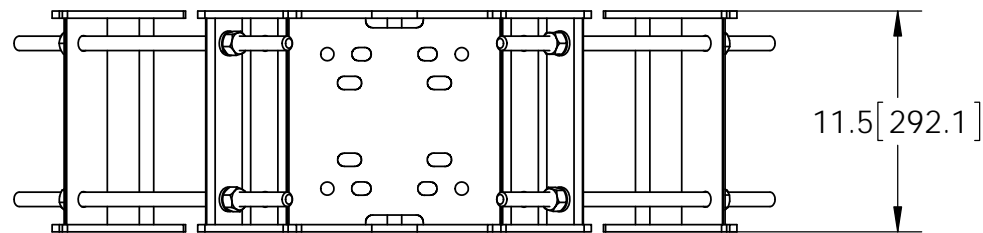
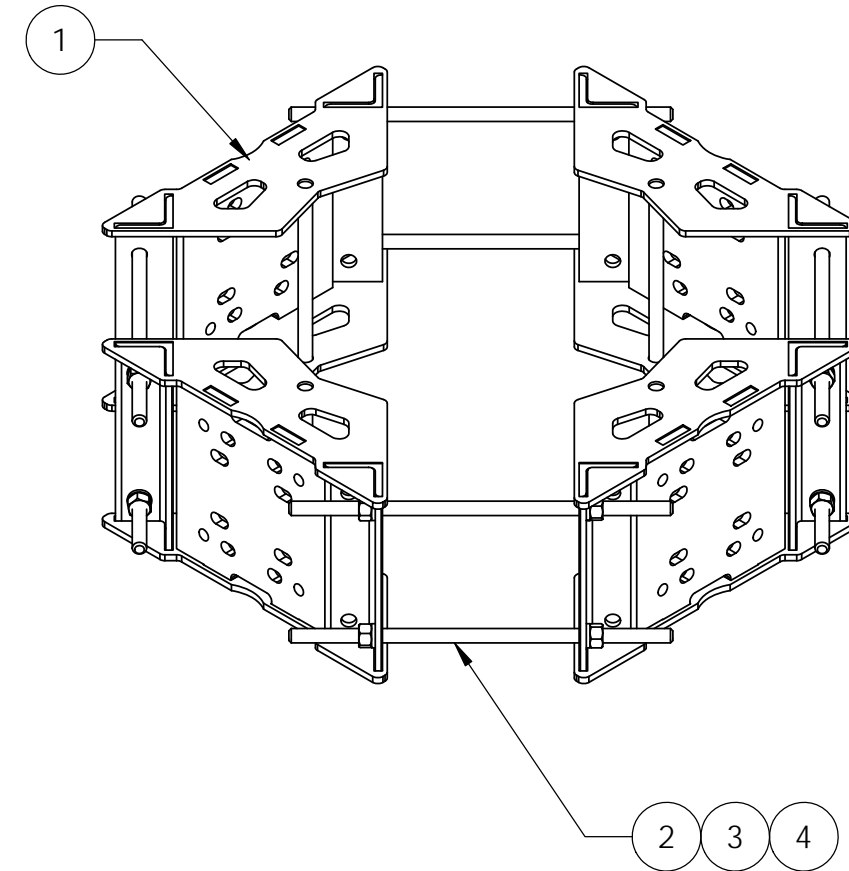
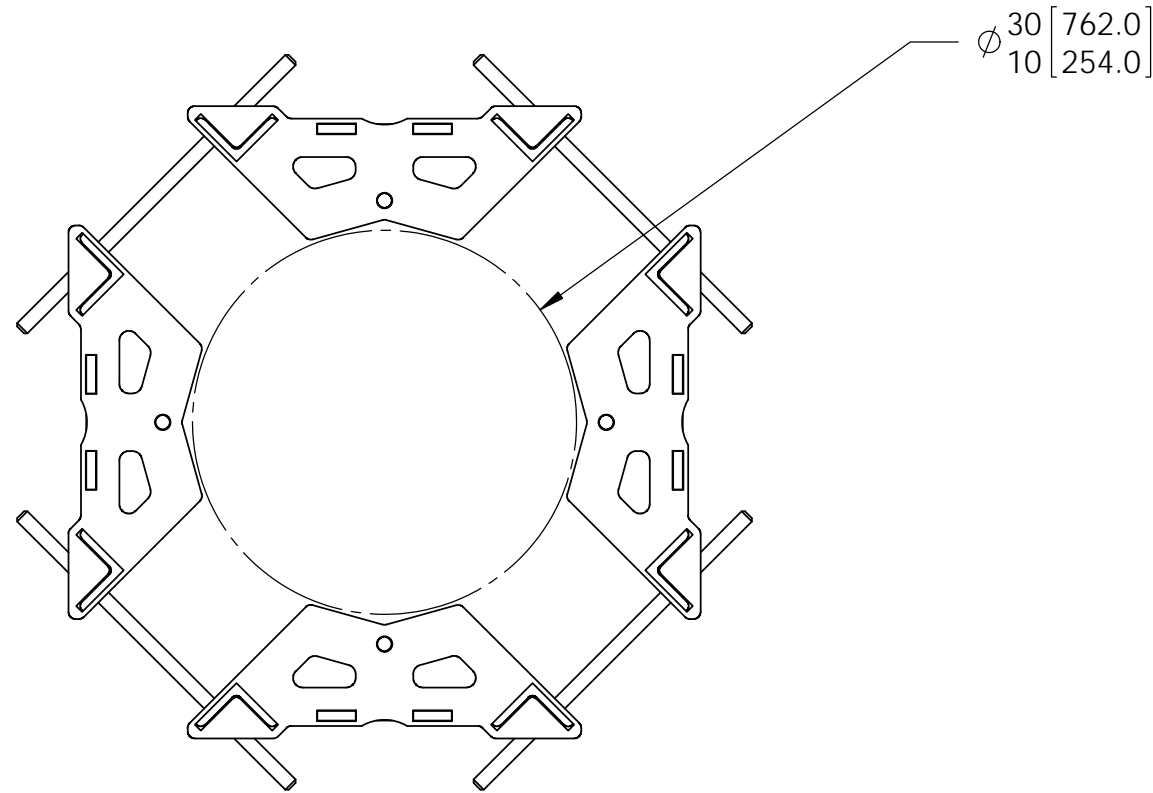



ITEM	PART NO.	DESCRIPTION	QTY.	WEIGHT
1	RM1030405	10-30 4 SECTOR RM WLDMNT	4	45.99 LBS
2	MT-384-20	3/4" X 20" GALV THREADED ROD	8	2.48 LBS
3	GWL-06	3/4" GALV LOCK WASHER	16	0.04 LBS
4	GN-06	3/4" GALV HEX NUT	16	0.15 LBS

REVISIONS				
REV.	ECN	DESCRIPTION	BY	DATE
F		REDESIGN	AW	11/05/04
G		REDESIGN WELDMENT	MSM	11/16/11
H	8000015106	NEW DESIGN WELDMENT	MSM	07/12/16



NOTES:
1. ALL METRIC DIMENSIONS ARE IN BRACKETS.

These drawings and specifications are the proprietary property of ANDREW CORPORATION and may be used only for the specific purpose authorized in writing by Andrew Corporation. ALL DIMENSIONS ARE IN INCHES U.O.S. TOLERANCES UNLESS OTHERWISE SPECIFIED: .X = ± .12 ANGLES ±2° .XX = ± .06 FRACTIONS ±1/32 .XXX = ± .03 REMOVE BURRS AND BREAK EDGES .005 DO NOT SCALE THIS PRINT	DRAWN BY: MSM	SHEET: 1 of 1	PART NUMBER: MC-RM1030-4
	CHECKED BY: TP	SCALE: NTS	DESCRIPTION: FOUR SECTOR RING MOUNT, 10-30 OD
	DATE: 06/27/11	MATERIAL: A36	DRAWING TYPE: ASSEMBLY DRAWING
	REVISION: H	FINISH: GALV A123	 WESTCHESTER, IL. 60154 U.S.A.
	WEIGHT: 206.79 LBS		