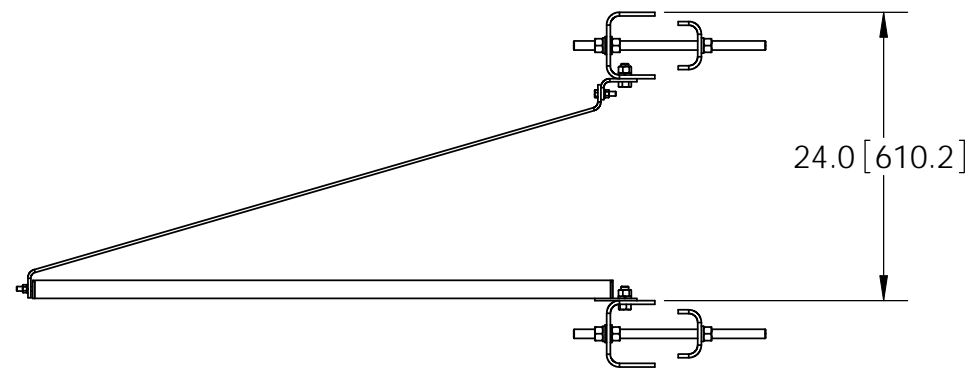
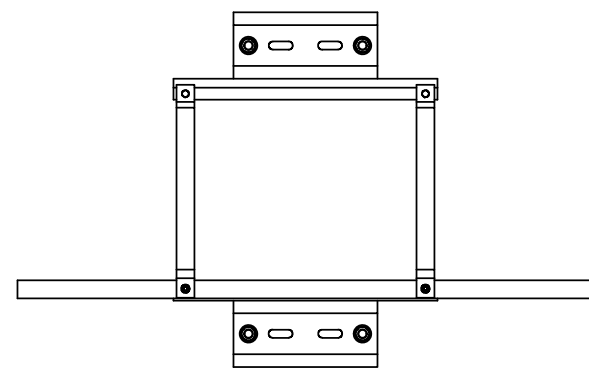
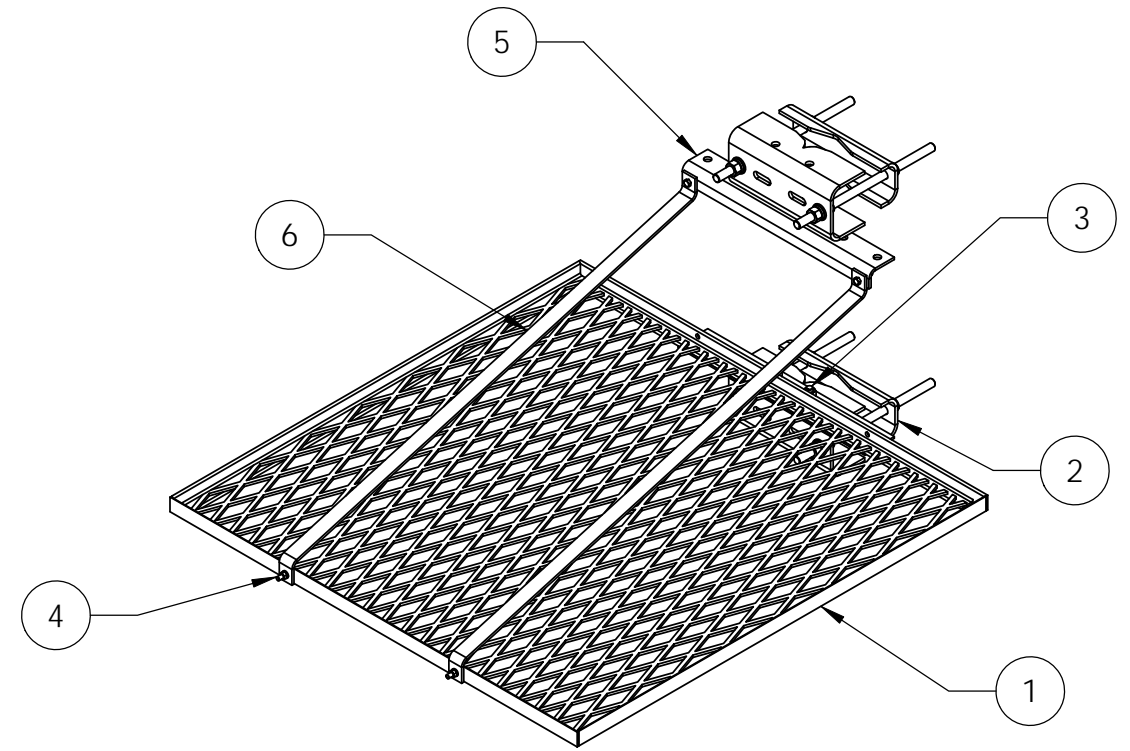
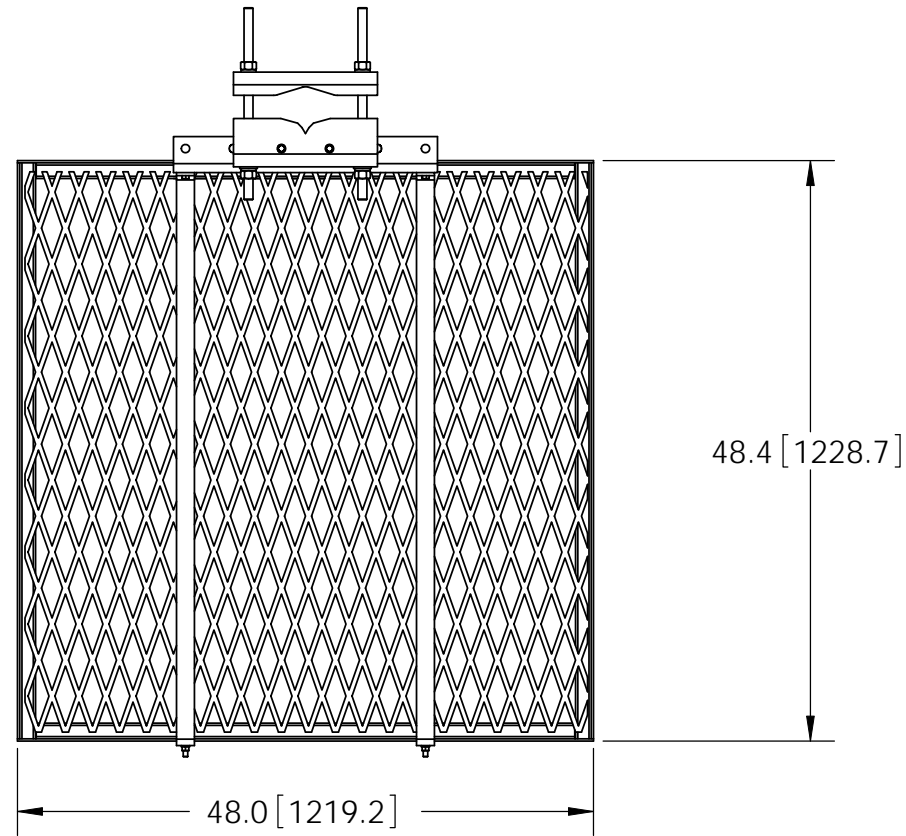


ITEM	PART NO.	DESCRIPTION	QTY.	WEIGHT
1	MDSQ401	4' Square Ice Shield	1	60.50 LBS
2	SM-U2080	UNIVERSAL SADDLE MOUNT	1	47.47 LBS
3	GB-05145	5/8" X 1-1/2" GALV BOLT KIT	4	1.12 LBS
4	GB-03145	3/8" X 1-1/2" GALV BOLT KIT	4	0.07 LBS
5	MDSQ217	Top Ice Shield Angle	1	6.38 LBS
6	MDSQ414	4' Ice Shield Support Brace	2	5.60 LBS

REVISIONS				
REV.	ZONE	DESCRIPTION	BY	DATE
A		INITIAL RELEASE	ACG	03/27/10



NOTES:
1. ALL METRIC DIMENSIONS ARE IN BRACKETS.

<small>These drawings and specifications are the proprietary property of ANDREW CORPORATION and may be used only for the specific purpose authorized in writing by Andrew Corporation.</small> ALL DIMENSIONS ARE IN INCHES U.O.S. TOLERANCES UNLESS OTHERWISE SPECIFIED: .X = ± .06 ANGLES ±2° .XX = ± .03 FRACTIONS ±1/32 .XXX = ± .010 REMOVE BURRS AND BREAK EDGES .005 DO NOT SCALE THIS PRINT	DRAWN BY: ACG	SHEET: 1 of 1	PART NUMBER: MD-SQ4
	CHECKED BY: TP	SCALE: NTS	DESCRIPTION: 4' Square Ice Shield Kit
	DATE: 03/27/10	MATERIAL: A36, A568	DRAWING TYPE: ASSEMBLY DRAWING
	REVISION: A	FINISH: GALV A123	WEIGHT: 127.25 LBS