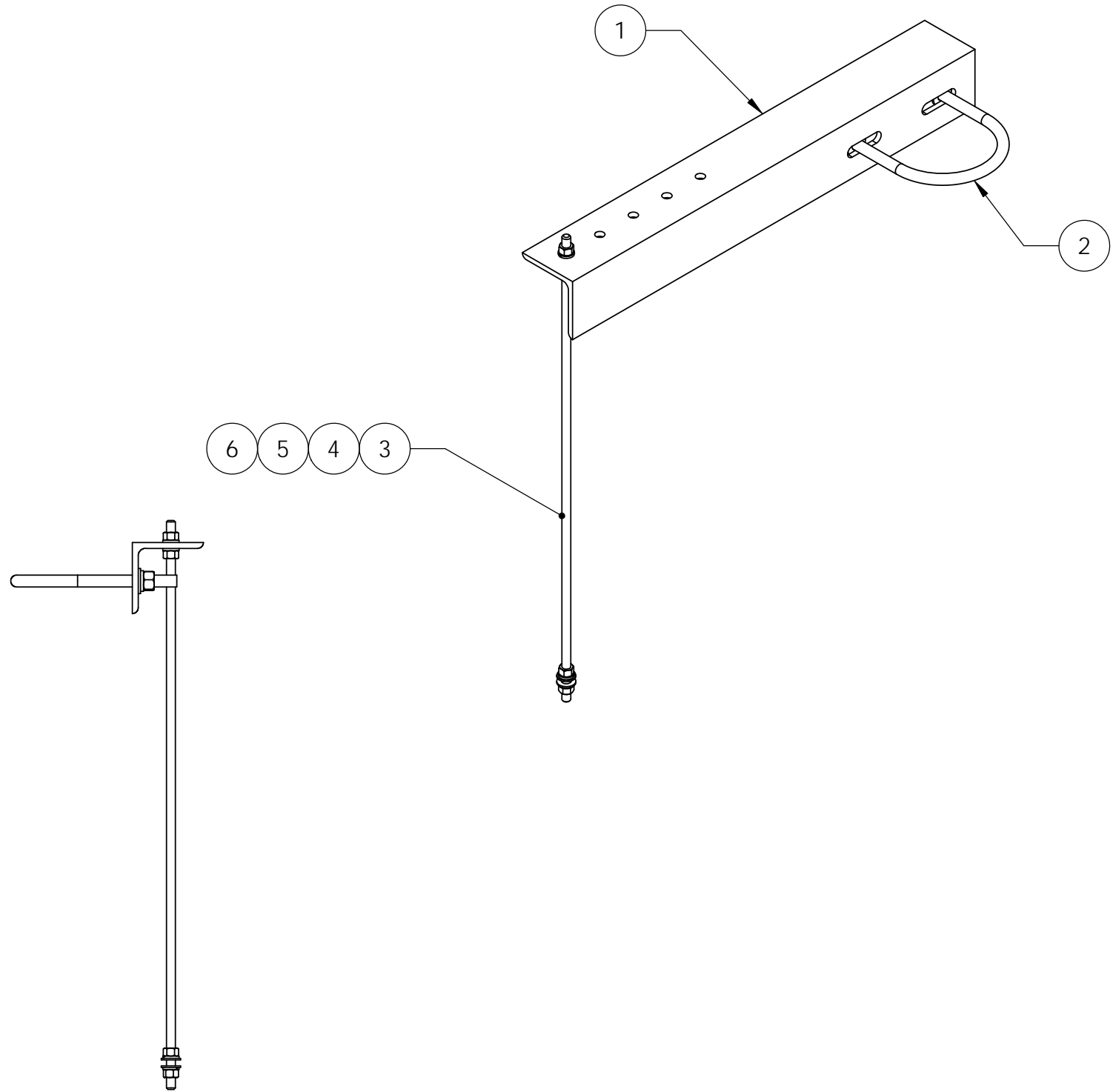
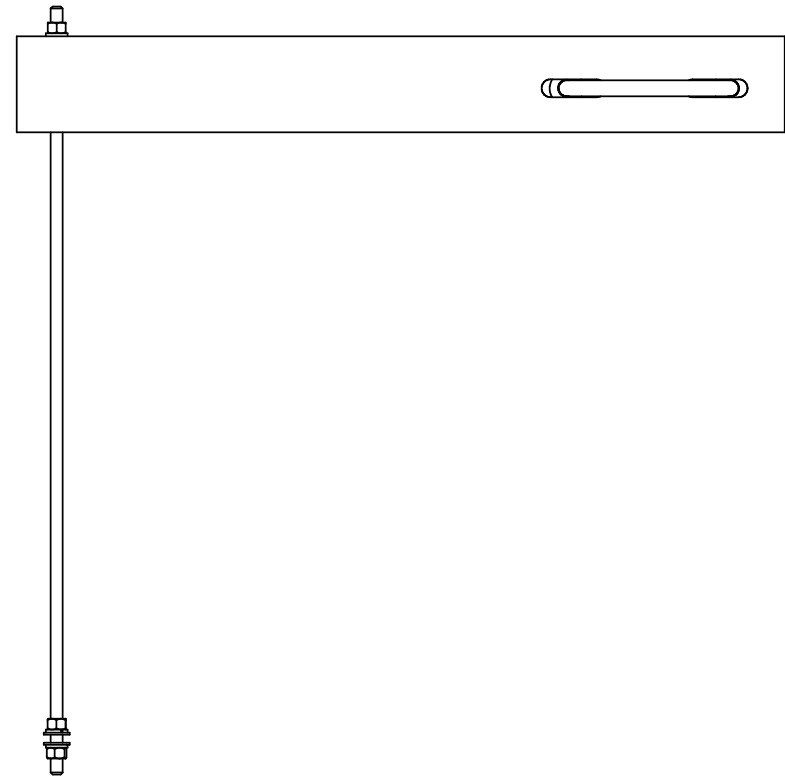
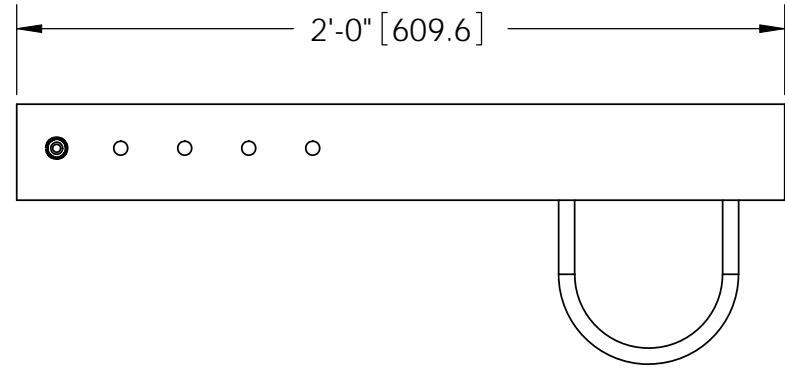



ITEM	PART NO.	DESCRIPTION	QTY.	WEIGHT
1	MDWS201	Microwave Dish Waveguide Angle	1	9.48 LBS
2	GUB-4456	1/2" X 4-5/8" X 6-1/2" GALV U-BOLT	1	0.57 LBS
3	MT-377-24	3/8" X 24" GALV THREADED ROD	1	0.75 LBS
4	GWF-03	3/8" GALV FLAT WASHER	2	0.01 LBS
5	GWL-03	3/8" GALV LOCK WASHER	4	0.03 LBS
6	GN-03	3/8" GALV HEX NUT	4	0.08 LBS

REVISIONS				
REV.	ZONE	DESCRIPTION	BY	DATE
A		INITIAL RELEASE	MSM	05/11/10



NOTES:
1. ALL METRIC DIMENSIONS ARE IN BRACKETS.

<small>These drawings and specifications are the proprietary property of ANDREW CORPORATION and may be used only for the specific purpose authorized in writing by Andrew Corporation.</small> ALL DIMENSIONS ARE IN INCHES U.O.S. TOLERANCES UNLESS OTHERWISE SPECIFIED: .X = ± .12 ANGLES ±2° .XX = ± .06 FRACTIONS ±1/32 .XXX = ± .03 REMOVE BURRS AND BREAK EDGES .005 DO NOT SCALE THIS PRINT	DRAWN BY: MSM	SHEET: 1 of 1	PART NUMBER: MD-WS
	CHECKED BY: TP	SCALE: NTS	DESCRIPTION: Microwave Dish Waveguide Shield
	DATE: 05/11/10	MATERIAL: A529	DRAWING TYPE: ASSEMBLY DRAWING
	REVISION: A	FINISH: GALV A123	 WESTCHESTER, IL. 60154 U.S.A.
	WEIGHT: 11.40 LBS		